

PLEASE CHECK WWW.MOLEX.COM FOR LATEST PART INFORMATION

Part Number: **0521160410**
Status: **Active**
Overview: Mizu Sealed Connectors
Description: Mizu-P25 2.50mm Pitch Waterproof Wire-to-Wire Plug Housing, 4 Circuits, White

Documents:

3D Model	Application Specification AS-52117-001-001 (PDF)
Drawing (PDF)	Application Specification AS-52117-001-JP-001 (PDF)
3D Model (PDF)	Packaging Specification 521160000-P00 (PDF)
Product Specification PS-52117-008-001 (PDF)	RoHS Certificate of Compliance (PDF)

Agency Certification

UL E29179

Application tooling part link

Application Tooling Part Link 57130-6000
 Application Tooling Part Link 62202-4400

General

Product Family Crimp Housings
 Series 52116
 Application Signal, Wire-to-Wire
 Overview Mizu Sealed Connectors
 Product Name Mizu-P25 Waterproof, Splash Proof
 UPC 800754368582

Physical

Circuits (maximum) 4
 Color - Resin White
 Gender Plug
 Glow-Wire Capable No
 Lock to Mating Part Yes
 Material - Resin Polyester
 Net Weight 1829.700/mg
 Number of Rows 1
 Packaging Type Tray
 Panel Mount No
 Pitch - Mating Interface 2.50mm
 Stackable No
 Temperature Range - Operating -40° to +105°C

Electrical

Current - Maximum per Contact 3.0A

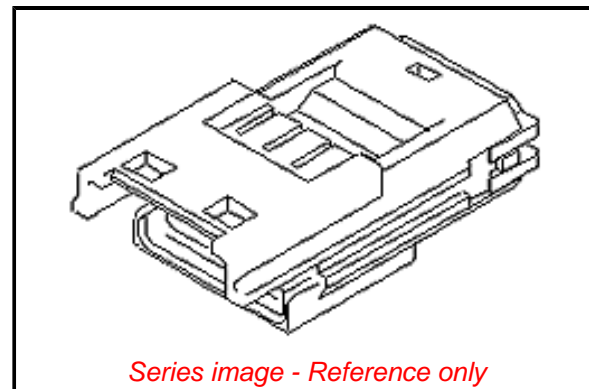
Solder Process Data

Lead-freeProcess Capability N/A

Material Info

Reference - Drawing Numbers

Application Specification AS-52117-001-001, AS-52117-001-JP-001
 Packaging Specification 521160000-P00
 Product Specification PS-52117-008-001
 Sales Drawing SD-52116-002-001



Series image - Reference only

EU ELV

Compliant

EU RoHS

Compliant

REACH SVHC

Not Contained Per -
 D(2021)4569-DC (8
 July 2021)

Halogen-Free

Status

Not Low-Halogen

For more information, please visit [Contact US](#)

China ROHS

ELV

RoHS Phthalates

Green Image

Compliant

Not Contained

Search Parts in this Series

[52116 Series](#)

Mates With

[52117 Mizu-P25 2.50mm Pitch Waterproof Wire-to-Wire Receptacle Housing](#)

Use With

[50038 Mizu-P25 Crimp Terminal](#)

Application Tooling | [FAQ](#)

Tooling specifications and manuals are found by selecting the products below. Crimp Height Specifications are then contained in the Application Tooling Specification document.

Global

Description	Product #
-------------	-----------

Sealing Cap Hand Tool	622024400
-----------------------	---------------------------

Japan

Description	Product #
-------------	-----------

Sealing Cap Attachment Tool	571306000
-----------------------------	---------------------------

This document was generated on 09/14/2021

PLEASE CHECK WWW.MOLEX.COM FOR LATEST PART INFORMATION

X-ON Electronics

Largest Supplier of Electrical and Electronic Components

Click to view similar products for [Automotive Connectors](#) category:

Click to view products by [Molex](#) manufacturer:

Other Similar products are found below :

[003-018-000](#) [60403001](#) [60993906-B](#) [M902-2131](#) [M902-2161](#) [72.330.1035.1](#) [73.353.4028.0](#) [F119300-B](#) [F166900](#) [F258300-B](#) [F358300-B](#)
[F407400](#) [F444110](#) [F487000](#) [F509500B-B](#) [827153-1](#) [8N1515-32-24P](#) [9-1326729-8](#) [925474-1](#) [928905-1](#) [964562-4](#) [968782-1](#) [GT17SA-8DS-](#)
[HU](#) [98891-1012](#) [98947-1016](#) [12004475-L](#) [12010290](#) [12010309-B](#) [12015454](#) [12020219-B](#) [12020308](#) [12041318-B](#) [12052225-L](#) [12052466](#)
[12059125](#) [12064869](#) [12004327-B](#) [12010503-B](#) [12015308](#) [12015384](#) [12015909](#) [1-21030-1](#) [12041254](#) [12041318](#) [12047946-B](#) [12047957](#)
[12047957-L](#) [12059473](#) [12066261](#) [12110546](#)