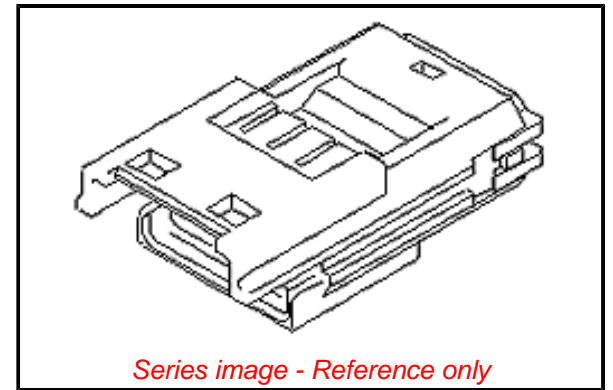


PLEASE CHECK WWW.MOLEX.COM FOR LATEST PART INFORMATION

Part Number: [0521160411](#)
Status: **Active**
Overview: [Mizu Sealed Connectors](#)
Description: Mizu-P25 2.50mm Pitch Waterproof Wire-to-Wire Plug Housing, 4 Circuits, Black

Documents:

3D Model	Application Specification AS-52117-001-001 (PDF)
Drawing (PDF)	Application Specification AS-52117-001-JP-001 (PDF)
3D Model (PDF)	Packaging Specification 521160000-P00 (PDF)
Product Specification PS-52117-008-001 (PDF)	RoHS Certificate of Compliance (PDF)



Agency Certification

UL E29179

Application tooling part link

Application Tooling Part Link 62202-4400

General

Product Family	Crimp Housings
Series	52116
Application	Signal, Wire-to-Wire
Overview	Mizu Sealed Connectors
Product Name	Mizu-P25 Waterproof, Splash Proof
UPC	800754368599

Physical

Circuits (maximum)	4
Color - Resin	Black
Gender	Plug
Glow-Wire Capable	No
Lock to Mating Part	Yes
Material - Resin	Polyester
Net Weight	1829.700/mg
Number of Rows	1
Packaging Type	Tray
Panel Mount	No
Pitch - Mating Interface	2.50mm
Stackable	No
Temperature Range - Operating	-40° to +105°C

Electrical

Current - Maximum per Contact 3.0A

Solder Process Data

Lead-freeProcess Capability N/A

Material Info

Reference - Drawing Numbers

Application Specification	AS-52117-001-001, AS-52117-001-JP-001
Packaging Specification	521160000-P00
Product Specification	PS-52117-008-001
Sales Drawing	SD-52116-002-001

EU ELV

Compliant

EU RoHS

Compliant

REACH SVHC

Not Contained Per -
D(2021)4569-DC (8
July 2021)

Halogen-Free

Status

Not Low-Halogen

For more information, please visit [Contact US](#)

China ROHS

ELV

RoHS Phthalates

China RoHS

Green Image

Compliant

Not Contained

Search Parts in this Series

[52116 Series](#)

Mates With

[52117 Mizu-P25 2.50mm Pitch Waterproof Wire-to-Wire Receptacle Housing](#)

Use With

[50038 Mizu-P25 Crimp Terminal](#)

Application Tooling | [FAQ](#)

Tooling specifications and manuals are found by selecting the products below. Crimp Height Specifications are then contained in the Application Tooling Specification document.

Global

Description

Product #

Sealing Cap Hand

[622024400](#)

Tool

X-ON Electronics

Largest Supplier of Electrical and Electronic Components

Click to view similar products for [Automotive Connectors](#) category:

Click to view products by [Molex](#) manufacturer:

Other Similar products are found below :

[003-018-000](#) [60403001](#) [60993906-B](#) [M902-2131](#) [M902-2161](#) [72.330.1035.1](#) [73.353.4028.0](#) [F119300-B](#) [F166900](#) [F258300-B](#) [F358300-B](#)
[F407400](#) [F444110](#) [F487000](#) [F509500B-B](#) [827153-1](#) [8N1515-32-24P](#) [9-1326729-8](#) [925474-1](#) [928905-1](#) [964562-4](#) [968782-1](#) [GT17SA-8DS-](#)
[HU](#) [98891-1012](#) [98947-1016](#) [12004147](#) [12004475-L](#) [12010290](#) [12010309-B](#) [12015454](#) [12020219-B](#) [12020308](#) [12041318-B](#) [12052466](#)
[12059125](#) [12064869](#) [12004327-B](#) [12010503-B](#) [12015308](#) [12015384](#) [12015909](#) [1-21030-1](#) [12041254](#) [12041318](#) [12047946-B](#) [12047957](#)
[12047957-L](#) [12059473](#) [12066261](#) [12110546](#)