

38.7	35.2	33	52207-3485	34
34.7	31.2	29	52207-3085	30
33.7	30.2	28	52207-2985	29
32.7	29.2	27	52207-2885	28
31.7	28.2	26	52207-2785	27
30.7	27.2	25	52207-2685	26
29.7	26.2	24	52207-2585	25
28.7	25.2	23	52207-2485	24
27.7	24.2	22	52207-2385	23
26.7	23.2	21	52207-2285	22
25.7	22.2	20	52207-2185	21
24.7	21.2	19	52207-2085	20
23.7	20.2	18	52207-1985	19
22.7	19.2	17	52207-1885	18
21.7	18.2	16	52207-1785	17
20.7	17.2	15	52207-1685	16
19.7	16.2	14	52207-1585	15
18.7	15.2	13	52207-1485	14
17.7	14.2	12	52207-1385	13
16.7	13.2	11	52207-1285	12
15.7	12.2	10	52207-1185	11
14.7	11.2	9	52207-1085	10
13.7	10.2	8	52207-0985	9
12.7	9.2	7	52207-0885	8
11.7	8.2	6	52207-0785	7
10.7	7.2	5	52207-0685	6
9.7	6.2	4	52207-0585	5
8.7	5.2	3	52207-0485	4
7.7	4.2	2	52207-0385	3
C	B	A	EMBOSSD PACKAGE	極数
			オーダー番号 ORDER NO.	CIRCUITS

CONNECTOR SERIES NO. 52207-***19

SCALE --- DESIGN UNITS METRIC

THIRD ANGLE PROJECTION

TITLE 1.0 PITCH FPC CONN. ZIF SMT -LEAD FREE-

MOLEX MOLEX INCORPORATED

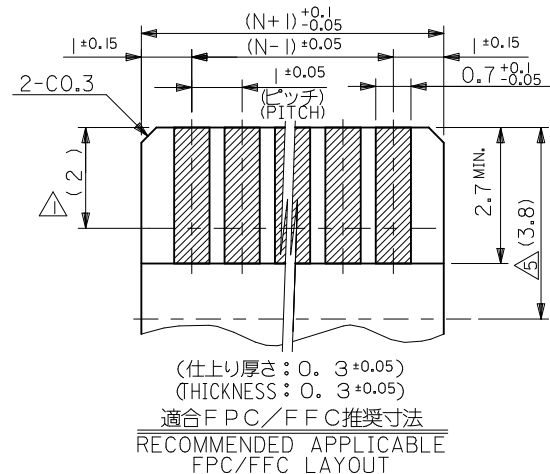
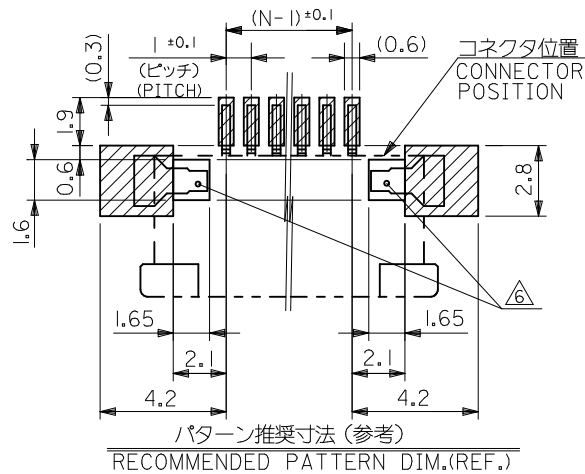
DOCUMENT NO. SD-52207-060 SHEET NO. 1 OF 2

THIS DRAWING CONTAINS INFORMATION THAT IS PROPRIETARY TO MOLEX INCORPORATED AND SHOULD NOT BE USED WITHOUT WRITTEN PERMISSION

REVISED	EC NO. J2011-0135
DRWN:NASUNUMA	2010/07/26
CHKD:KAKAHASHI	2010/07/27
APPR:KMORIKAWA	2010/07/28

GENERAL TOLERANCES (UNLESS SPECIFIED)	
10 UNDER	±0.2
10 OVER 30 UNDER	±0.25
30 OVER	±0.3
ANGULAR	±3 °
DRAFT WHERE APPLICABLE MUST REMAIN WITHIN DIMENSIONS	

DIMENSION STYLE MM ONLY	
DRAWN BY MNINOMIY	DATE '04/02/06
CHECKED BY KTOJO	DATE '04/02/06
APPROVED BY MSASAO	DATE '04/02/06
MATERIAL NO. SEE TABLE	
SIZE A3	THIS DRAWING CONTAINS INFORMATION THAT IS PROPRIETARY TO MOLEX INCORPORATED AND SHOULD NOT BE USED WITHOUT WRITTEN PERMISSION



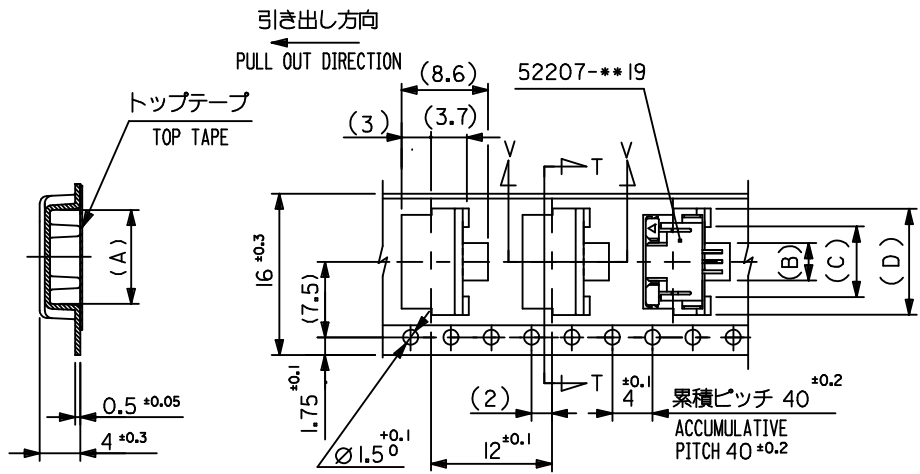
注記 NOTES

- △ 接点部までの嵌合長さ。
LENGTH TO CONTACT POINT.
- 2. 使用材料 MATERIAL
 - ハウジング : 46ナイロン (耐熱性), UL94V-0
 - HOUSING : 46NYLON, UL94V-0
 - アクチュエータ : PPS, UL94V-0
 - ACTUATOR : PPS, UL94V-0
 - ターミナル : 銅・スズ
 - TERMINAL : PHOSPHOR BRONZE
 - 銅・ビスマスメッキ 1.0マイクロメートル以上
 - TIN BISMUTH 1.0 MICROMETER MINIMUM
 - ニッケル下地 1.0マイクロメートル以上
 - NICKEL (UNDER PLATING) 1.0 MICROMETER MINIMUM
 - 銅合金
 - COPPER ALLOY
 - 銅メッキ 1.0マイクロメートル以上
 - TIN 1.0 MICROMETER MINIMUM
 - ニッケル下地 1.0マイクロメートル以上
 - NICKEL (UNDER PLATING) 1.0 MICROMETER MINIMUM
- 金具 FITTING NAIL
 - 銅合金
 - COPPER ALLOY
 - 銅メッキ 1.0マイクロメートル以上
 - TIN 1.0 MICROMETER MINIMUM
 - ニッケル下地 1.0マイクロメートル以上
 - NICKEL (UNDER PLATING) 1.0 MICROMETER MINIMUM
- △3 パターンはくり止め用金具
FITTING NAIL FOR PREVENTION OF PEELING OF P.C.B. PATTERN.
- 4. エンボスタープ梱包時は、アクチュエータがロックした状態とする。
IN THE PACKAGE, ACTUATOR OF PART NO. 52207-**-19 SHOULD BE LOCKED.
- △ ケーブル挿入深さ
INSERTION DEPTH OF CABLE.
- △6 パターン書き込み禁止エリア。
NO FOOT PRINT AREA.
- 7. 本製品は 52207-**-17 の鉛フリー品である。
THIS PRODUCT IS LEAD FREE OF 52207-**-17.
- 8. ELV及びRoHS適合品
ELV AND ROHS COMPLIANT

FPCについて:

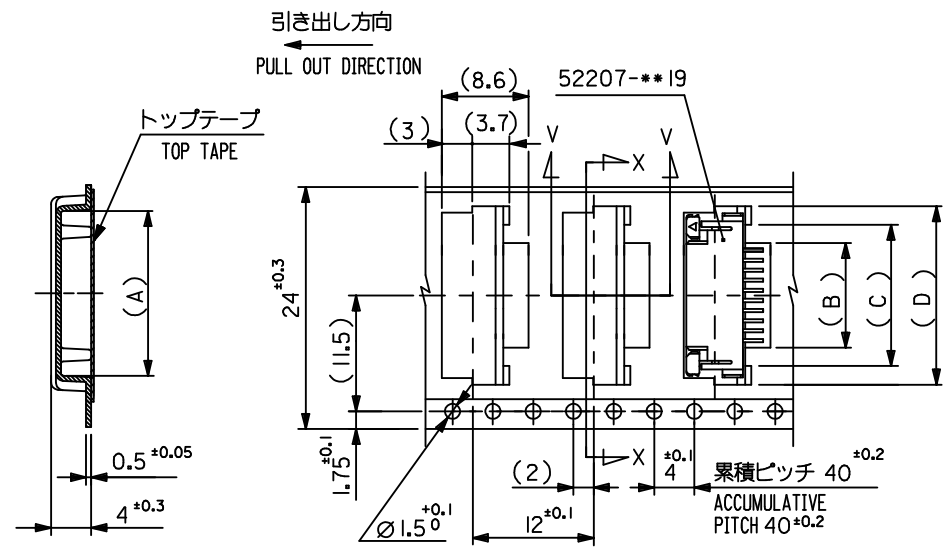
- 打抜き方向は導体側から補強板を推奨致します。
- 補強フィルム材質はポリイミドを推奨致します。
- 接着剤は熱硬化接着剤を推奨致します。
- ABOUT FPC:
RECOMMENDED PUNCHER DIRECTION : FROM CONDUCTOR SIDE TO STIFFENER BOARD SIDE.
- RECOMMENDED MATERIAL :
STIFFENER FILM : POLYIMIDE
BONDING AGENT : THERMOSETTING BONDING AGENT

SEE SHEET 1 EC NO: J2011-0135 DRWN: SANUMA 2010/07/26 CHKD: TAKAHASHI 2010/07/27 APPR: KMORIKAWA 2010/07/28	DESCRIPTION GENERAL TOLERANCES (UNLESS SPECIFIED) DIMENSION STYLE SCALE DESIGN UNITS THIRD ANGLE PROJECTION	10 UNDER ±0.2	DRAWN BY MNINOMIY '04/02/06	TITLE 1.0 PITCH FPC CONN ZIF SMT -LEAD FREE- MOLEX INCORPORATED DOCUMENT NO. SD-52207-060 SHEET NO. 2 OF 2
		10 OVER 30 UNDER ±0.25	CHECKED BY KTOJO '04/02/06	
		30 OVER ±0.3	APPROVED BY MSASAO '04/02/06	
		ANGULAR ±3 °	MATERIAL NO. SEE SHEET 1 OF 2	
DRAFT WHERE APPLICABLE MUST REMAIN WITHIN DIMENSIONS		THIS DRAWING CONTAINS INFORMATION THAT IS PROPRIETARY TO MOLEX INCORPORATED AND SHOULD NOT BE USED WITHOUT WRITTEN PERMISSION		



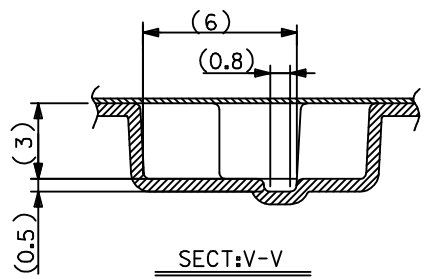
SECT:T-T

16mm 幅 キャリアテープ
16mm WIDTH CARRIER TAPE



SECT:X-X

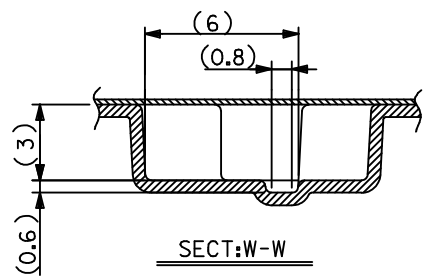
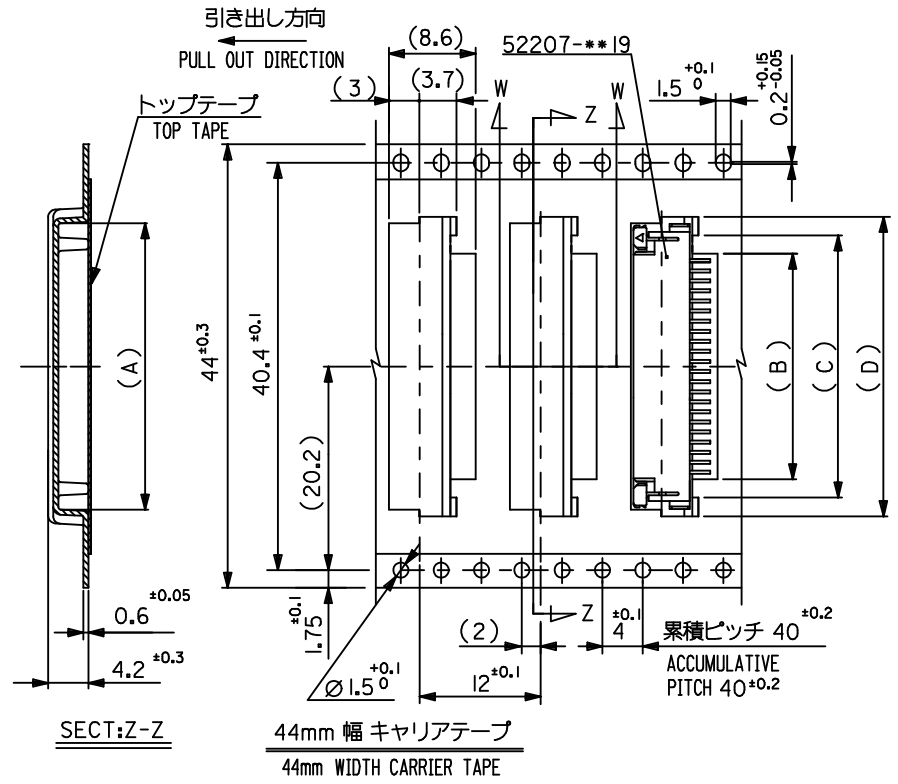
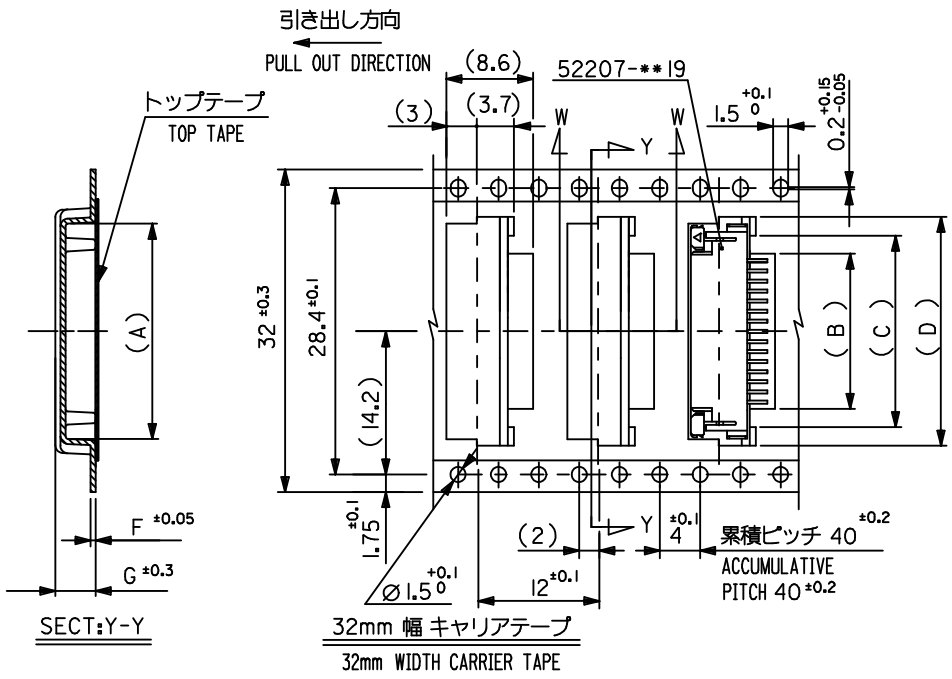
24mm 幅 キャリアテープ
24mm WIDTH CARRIER TAPE



SECT:V-V

24	29.4	25.4	18.5	15	11.7	17.3	52207-1185	11	
			17.5	14	10.7	16.3	4 -1085	10	
			16.5	13	9.7	15.3	-0985	9	
			15.5	12	8.7	14.3	-0885	8	
			14.5	11	7.7	13.3	-0785	7	
			13.5	10	6.7	12.3	-0685	6	
			12.5	9	5.7	11.3	-0585	5	
			11.5	8	4.7	10.3	7 -0485	4	
52207-***85	16	21.4	17.4	10.5	7	3.7	9.3	52207-0385	3
MODEL NO.	キャリアテープ幅 CARRIER TAPE WIDTH	H	E	(D)	(C)	(B)	(A)	MATERIAL NO.	極致 CKT.

REVISED EC NO.: J2009-2061 DRWN:TKON 2009/05/20 CHKD:HATSUMOTO 2009/05/21 APPR:NIKIITA 2009/05/21	GENERAL TOLERANCES (UNLESS SPECIFIED)	DIMENSION STYLE MM ONLY	SCALE ---	DESIGN UNITS METRIC	THIRD ANGLE PROJECTION
	10 UNDER ±0.2	DRAWN BY M. NINOMIYA	DATE 2004/02/06	TITLE EMBOSSED TAPE PACKAGE FOR 52207-***19 -LEAD FREE-	
	10 OVER 30 UNDER ±0.25	CHECKED BY K. TOJO	DATE 2004/02/06	MOLEX INCORPORATED	
	30 OVER ±0.3	APPROVED BY M. SASAO	DATE 2004/02/06	DOCUMENT NO. SD-52207-061	SHEET NO. 1 OF 3
	ANGULAR ±0.3	SEE TABLE			
DRAFT WHERE APPLICABLE MUST REMAIN WITHIN DIMENSIONS	THIS DRAWING CONTAINS INFORMATION THAT IS PROPRIETARY TO MOLEX INCORPORATED AND SHOULD NOT BE USED WITHOUT WRITTEN PERMISSION				



32	37.4	33.4	4.0	0.5	23.5	20	16.7	22.35	52207-1685	16
			4.2	0.6	22.5	19	15.7	21.35	4-1585	15
			4.2	0.6	21.5	18	14.7	20.35	-1485	14
			4.2	0.6	20.5	17	13.7	19.35	7-1385	13
			4.2	0.6	19.5	16	12.7	18.35	52207-1285	12
キャリアテープ幅 CARRIER TAPE WIDTH	H	E	(G)	(F)	(D)	(C)	(B)	(A)	MATERIAL NO.	極数 CKT.

44	49.4	45.4	34.5	31	27.7	33.35	52207-2785	27
			33.5	30	26.7	32.35	4-2685	26
			32.5	29	25.7	31.35	-2585	25
			31.5	28	24.7	30.35	-2485	24
			30.5	27	23.7	29.35	-2385	23
			29.5	26	22.7	28.35	-2285	22
			28.5	25	21.7	27.35	-2185	21
			27.5	24	20.7	26.35	-2085	20
			26.5	23	19.7	25.35	-1985	19
			25.5	22	18.7	24.35	7-1885	18
			24.5	21	17.7	23.35	52207-1785	17
キャリアテープ幅 CARRIER TAPE WIDTH	H	E	(D)	(C)	(B)	(A)	MATERIAL NO.	極数 CKT.

REVISED EC NO.: J2009-2061 DRWN:TKON 2009/05/20 CHKD:HATSUMOTO 2009/05/21 APPR:NIKI ITA 2009/05/21	DESCRIPTION GENERAL TOLERANCES (UNLESS SPECIFIED) 10 UNDER ±0.2 10 OVER 30 UNDER ±0.25 30 OVER ±0.3 ANGULAR ±3° DRAFT WHERE APPLICABLE MUST REMAIN WITHIN DIMENSIONS	DIMENSION STYLE MM ONLY	SCALE ---	DESIGN UNITS METRIC	THIRD ANGLE PROJECTION		
		DRAWN BY M. NINOMIYA	DATE 2004/02/06	TITLE EMBOSSED TAPE PACKAGE FOR 52207-**19 -LEAD FREE-			
		CHECKED BY K. TOJO	DATE 2004/02/06	MOLEX INCORPORATED			
		APPROVED BY M. SASAO	DATE 2004/02/06	MATERIAL NO. SEE TABLE	DOCUMENT NO. SD-52207-061	SHEET NO. 2 OF 3	
THIS DRAWING CONTAINS INFORMATION THAT IS PROPRIETARY TO MOLEX INCORPORATED AND SHOULD NOT BE USED WITHOUT WRITTEN PERMISSION							

X-ON Electronics

Largest Supplier of Electrical and Electronic Components

Click to view similar products for [molex](#) manufacturer:

Other Similar products are found below :

[1201140065](#) [90814-0008](#) [38210-0105](#) [60506-C-50](#) [69008-0971](#) [73108](#) [79516-1043](#) [72903](#) [2002181200](#) [68301-1017](#) [03-12-1016](#) [71506-C](#)
[90835-0003](#) [02-09-8104](#) [880504](#) [67490-3220](#) [53254-0710](#) [85071-0017](#) [70984-4008](#) [03-12-2022](#) [89674-0805](#) [514412093](#) [54596-1010](#)
[0191310031](#) [503308-4410](#) [02-09-6102](#) [0008650814](#) [0039000218](#) [89762-1542](#) [89762-1582](#) [0011404526](#) [00136](#) [0022173102](#) [0026615060](#)
[CR4006A30M003](#) [0039532085](#) [58098-0628](#) [0003092041](#) [0008520123](#) [0011030025](#) [0011184017](#) [0022162060](#) [0022552102](#) [0039302050](#)
[0194180018](#) [01312](#) [M15730061](#) [61432](#) [6150300002](#) [CS63W64](#)