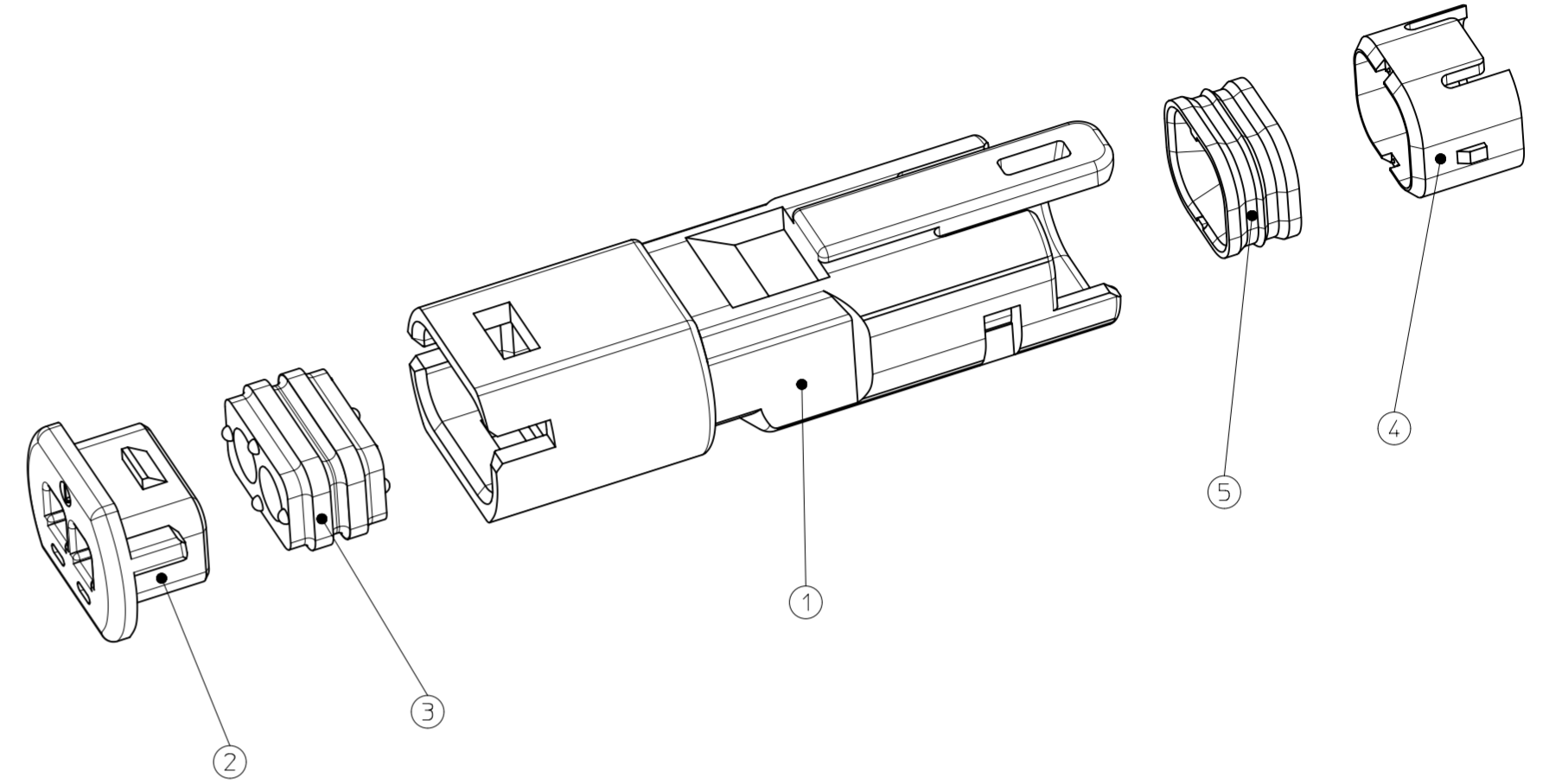


SECTION A-A
(TERMINAL ASSEMBLY DRAWING)



- NOTES:
1. MATERIAL SEE CHART
 2. GENERAL TOLERANCE PER AS BELOW:
UNDER 10: ±0.2
OVER 10, UNDER 30: ±0.25
OVER 30: ±0.3
ANGLE: ±3°
 3. PRODUCT SPECIFICATION: PS-52213-003
 4. PACKAGING SPECIFICATION: RPK-52266-001
 5. MATES WITH: 52213-021*
 6. APPLICABLE CRIMP PIN: 50147-8*00
 7. APPLICATION SPECIFICATION: AS-52266-001

⑤	SEAL	SILICON	1
④	SEAL STOPPER	PBT GF15%, BLACK	1
③	MATTE SEAL	SILICON	1
②	SEAL COVER	PBT GF15%, BLACK	1
①	PLUG HOUSING	PBT GF15%, BLACK	1
ITEM NO	TITLE	MATERIAL	QTY

THIS DRAWING CONTAINS INFORMATION THAT IS PROPRIETARY TO MOLEX ELECTRONIC TECHNOLOGIES, LLC AND SHOULD NOT BE USED WITHOUT WRITTEN PERMISSION									
DIMENSION UNITS	SCALE	CURRENT REV DESC:							
mm	5:1								
GENERAL TOLERANCES (UNLESS SPECIFIED)					2.5 MINI WATERPROOF CONN. ASS'Y				
ANGULAR TOL	± °								
4 PLACES	±	EC NO:	174474	2018/04/04	PRODUCT CUSTOMER DRAWING				
3 PLACES	±	DRWN:	RHORI	2018/04/13					
2 PLACES	±	CHK'D:	HKOMATSU	2018/04/20					
1 PLACE	±	APPR:	TOSADA	2018/04/20	DOCUMENT NUMBER: SD-52266-001 DOC TYPE: PSD DOC PART: 001 REVISION: A1				
0 PLACES	±	INITIAL REVISION:							
DRAFT WHERE APPLICABLE MUST REMAIN WITHIN DIMENSIONS		DRWN:	YMO01	2012/01/18	MATERIAL NUMBER: 52266-0213 CUSTOMER: GENERAL SHEET NUMBER: 1 OF 1				
		APPR:	MAYAMAMOTO	2012/02/13					
		THIRD ANGLE PROJECTION	DRAWING	SERIES					
			A2-SIZE	52266					

INITIAL REVISION:		
DRWN	Y.MO01	2011/10/18
CHECK	TA.ITO	2012/02/01
APPR	MA.YAMAMOTO	2012/02/13

X-ON Electronics

Largest Supplier of Electrical and Electronic Components

Click to view similar products for [Headers & Wire Housings](#) category:

Click to view products by [Molex](#) manufacturer:

Other Similar products are found below :

[892-18-020-10-001101](#) [58102-G61-06LF](#) [582553-1](#) [0009485154](#) [009176003701906](#) [0050291907](#) [LY20-4P-DT1-P1E-BR](#) [02.125.8002.8](#)
[609-3404](#) [61062-3](#) [61082-181009](#) [622-3653LF](#) [63453-116](#) [636-1030](#) [636-1427](#) [636-3427](#) [636-4007](#) [641938-9](#) [641991-4](#) [644827-2](#) [65817-](#)
[010LF](#) [65817-015LF](#) [65863-015LF](#) [66207-023LF](#) [67095-007LF](#) [67601157](#) [68648-049](#) [70.362.1628.0](#) [70-4210](#) [70-4226B](#) [70-4853B](#) [707-](#)
[5020](#) [707-5028](#) [71.350.2428.0](#) [71918-208LF](#) [71961-016LF](#) [733-134](#) [733-162](#) [754199-000](#) [760-3052](#) [787-8014-00](#) [79531-3000](#) [FCN-](#)
[360C032-B](#) [FCN-367T-T012/H](#) [FCN-723D010/2](#) [80.063.4001.1](#) [800-90-001-10-001000](#) [800-90-010-10-002000](#) [801-43-002-10-013000](#)
[801-43-006-10-002000](#)