

- 注記 NOTES
1. 使用材料
MATERIAL
ハウジング: ポリアミド(PA)、ガラス充填、UL94V-0、ナチュラル(白)
HOUSING: POLYAMIDE, GLASS FILLED, UL94V-0, NATURAL (WHITE)
アクチュエータ: ポリフェニレンサルファイド (PPS)、ガラス充填、UL94V-0、黒
ACTUATOR: POLYPHENYLENE SULFIDE, GLASS FILLED, UL94V-0, BLACK
ターミナル: リン青銅、(t=0.2)
TERMINAL: PHOSPHOR BRONZE
金具: リン青銅、(t=0.2)
FITTING NAIL: PHOSPHOR BRONZE
 2. めっき仕様
PLATING
ターミナル TERMINAL
錫銀ビスマスめっき (1.0µm以上)
下地: ニッケルめっき (1.0µm以上)
TIN SILVER BISMUTH PLATING (1.0 MICROMETER MINIMUM)
UNDER PLATE: NICKEL PLATING (1.0 MICROMETER MINIMUM)
金具 FITTING NAIL
錫めっき (1.0µm以上)
下地: ニッケルめっき (1.0µm以上)
TIN PLATING (1.0 MICROMETER MINIMUM)
UNDER PLATE: NICKEL PLATING (1.0 MICROMETER MINIMUM)
 3. R0.3は、FPCの導体部にかからないこと
R0.3 MUST NOT BE OVERLAPED TO PATTERN OF FPC.
 4. エンボステープ梱包時は、アクチュエータがロックした状態になります。
IN THE PACKAGE, ACTUATOR SHOULD BE LOCKED.
 5. 偶数極に適用
APPLY FOR EVEN CIRCUIT.
 6. パターン剥離止め金具
FITTING NAIL FOR PREVENTION OF PEELING OF P.W.B. PATTERN.
ソルダーテール半田付け面のズレ量、および金具半田付け面のズレ量は、
基準面Hに対し上方向 0.1MAXIMUM、下方向 0.15MAXIMUMとし、
相互のばらつきは0.1MAXIMUMとする。
MISALIGNMENT OF SOLDER TAILS AND FITTING NAILS FROM DATUM H
UPPER DIRECTION : 0.1MAXIMUM, LOWER DIRECTION :
0.15MAXIMUM. OFFSET BETWEEN UPPER AND LOWER : 0.1MAXIMUM.
 7. ELV及びRoHS適合品
ELV AND RoHS COMPLIANT.

21.6	19.6	15.65	14.5	52435-3033	30
21.1	19.1	15.15	14.0	52435-2933	29
20.6	18.6	14.65	13.5	52435-2833	28
20.1	18.1	14.15	13.0	25435-2733	27
19.6	17.6	13.65	12.5	52435-2633	26
19.1	17.1	13.15	12.0	52435-2533	25
18.6	16.6	12.65	11.5	52435-2433	24
18.1	16.1	12.15	11.0	52435-2333	23
17.6	15.6	11.65	10.5	52435-2233	22
17.1	15.1	11.15	10.0	52435-2133	21
D	C	B	(A)	オーダー番号 ORDER NO.	極数 CKT

CONNECTOR SERIES NO. 52435-**22

THIS DRAWING CONTAINS INFORMATION THAT IS PROPRIETARY TO MOLEX ELECTRONIC TECHNOLOGIES, LLC AND SHOULD NOT BE USED WITHOUT WRITTEN PERMISSION

GENERAL TOLERANCES (UNLESS SPECIFIED)		DIMENSION UNITS	SCALE
10 UNDER	± 0.2	mm	1:1
10 OVER 30 UNDER	± 0.25	GENERAL TOLERANCES (UNLESS SPECIFIED)	
30 OVER	± 0.3	ANGULAR TOL ± 30°	
ANGULAR ± 3°		4 PLACES ± 0.2	
DRAFT WHERE APPLICABLE		3 PLACES ± 0.25	
MUST REMAIN WITHIN DIMENSIONS		2 PLACES ± 0.3	
		1 PLACE ±	
		0 PLACES ±	
		DRAFT WHERE APPLICABLE MUST REMAIN WITHIN DIMENSIONS	

CURRENT REV DESC: REVISED

EC NO: 600129
DRWN: YCHEN128 2018/04/09
CHK'D: KTAKAHASHI 2018/04/12
APPR: NUKITA 2018/04/13

INITIAL REVISION:
DRWN: NASANUMA 2012/09/13
APPR: KMORIKAWA 2013/03/15

THIRD ANGLE PROJECTION
DRAWING A3-SIZE
SERIES 52435

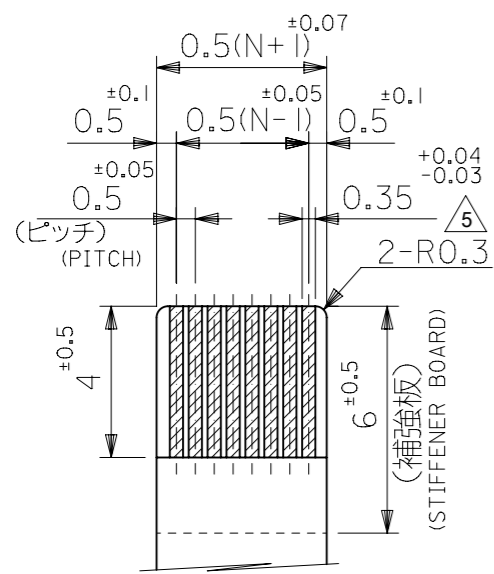
molex

0.5 FPC CONN ZIF R/A
HOUSING ASSY (UPPER CONTAT)

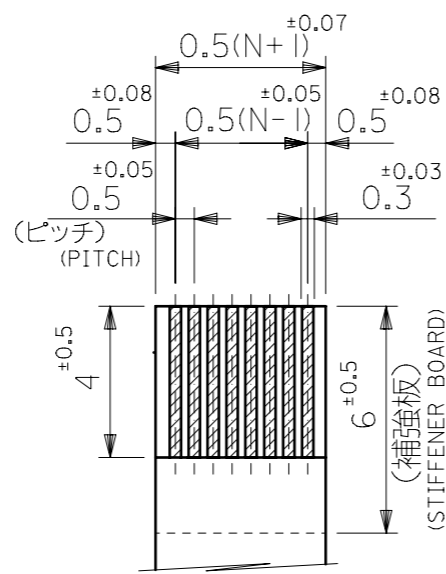
PRODUCT CUSTOMER DRAWING

DOCUMENT NUMBER SD-52435-022
DOC TYPE PSD
DOC PART 001
REVISION C

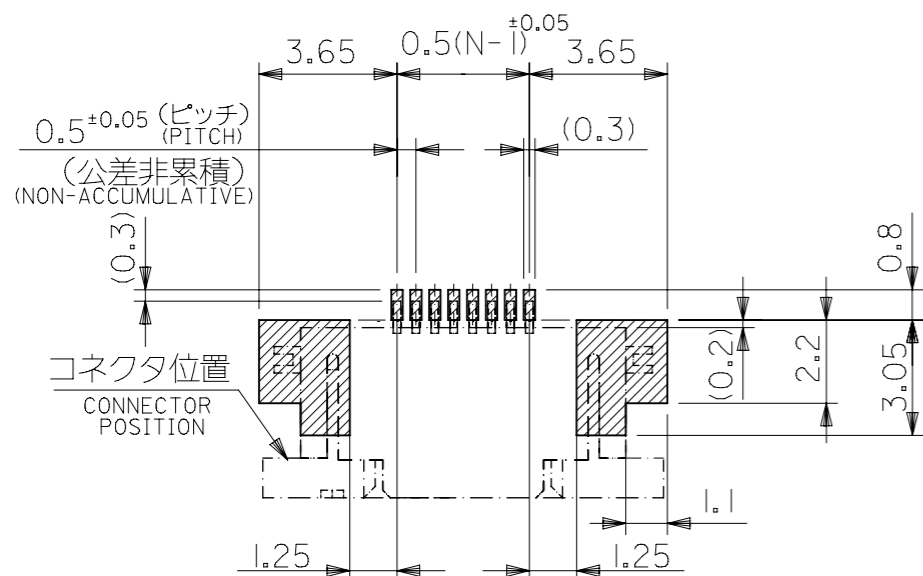
MATERIAL NUMBER CUSTOMER GENERAL MARKET
SHEET NUMBER 1 OF 2



適合FPC推奨寸法
 APPLICABLE FPC
 RECOMMENDED DIMENSION.
 (仕上がり厚さ: 0.3 ± 0.05)
 (THICKNESS: 0.3 ± 0.05)

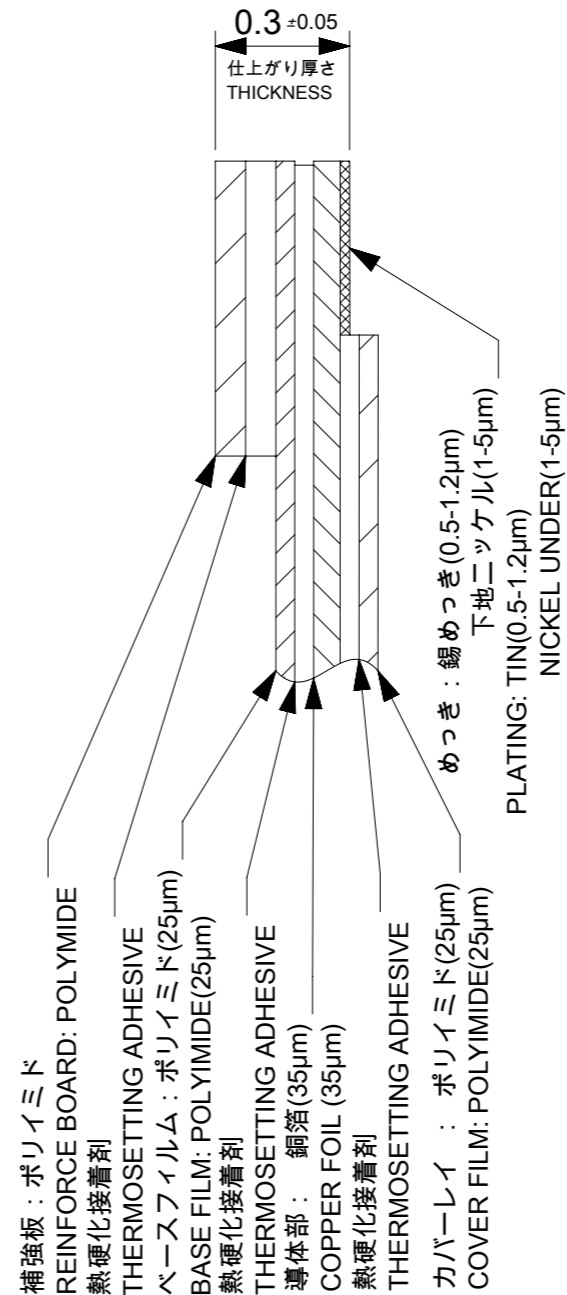


適合FFC推奨寸法
 APPLICABLE FFC
 RECOMMENDED DIMENSION.
 (仕上がり厚さ: 0.3 ± 0.05)
 (THICKNESS: 0.3 ± 0.05)

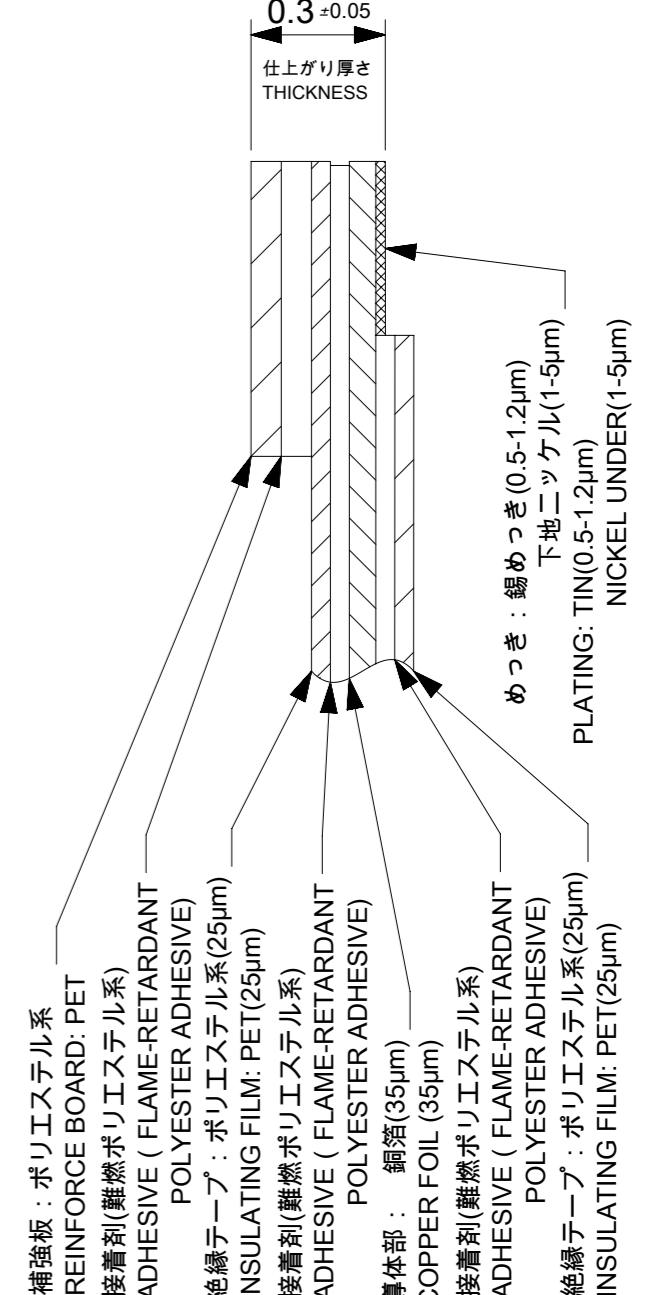


推奨基板レイアウト(マウント面)
 RECOMMENDED P.C. BOARD
 PATTERN DIMENSION (MOUNTING SIDE)

マスク厚 : 100µm
 マスク開口率 : 100%
 SCREEN THICKNESS : 100µm
 SCREEN OPEN RATIO : 100%



FPC構成推奨仕様
 RECOMMENDED STRUCTURE OF FPC



FFC構成推奨仕様
 RECOMMENDED STRUCTURE OF FFC

FPC/FFCについて:
 抜き方向は、導体側から補強板側を推奨致します。
 尚、接着剤の接点部への付着は導通不良の原因になりますので、
 染み出しが無い様お願い致します。

ABOUT FPC/FFC:
 RECOMMENDED PUNCHER DIRECTION:
 FROM CONDUCTOR SIDE TO STIFFNER SIDE
 PLEASE PUT APPROPRIATE AMOUNT OF ADHESIVE ON ADHEREND
 BECAUSE THERE IS A POSSIBILITY THAT THE EXTRA ADHESIVE
 CAUSES THE DEFECT IN ELECTRICAL CONTINUITY.

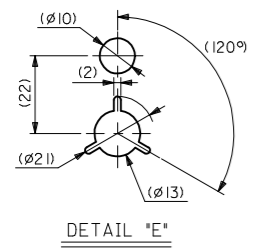
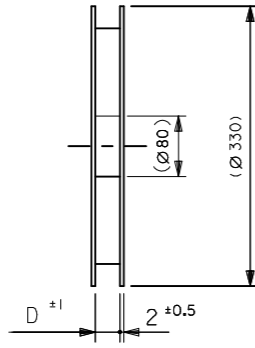
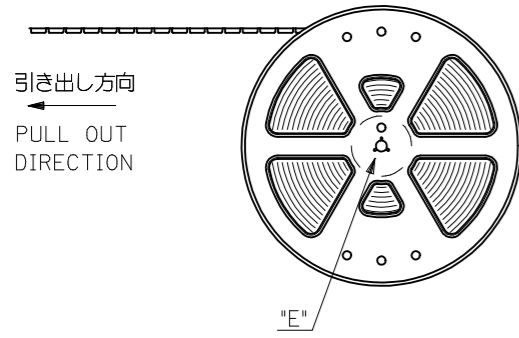
THIS DRAWING CONTAINS INFORMATION THAT IS PROPRIETARY TO MOLEX ELECTRONIC TECHNOLOGIES, LLC AND SHOULD NOT BE USED WITHOUT WRITTEN PERMISSION

GENERAL TOLERANCES (UNLESS SPECIFIED)		DIMENSION UNITS	SCALE
10 UNDER	± 0.2	mm	5:1
10 OVER 30 UNDER	± 0.25	GENERAL TOLERANCES (UNLESS SPECIFIED)	
30 OVER	± 0.3	ANGULAR TOL ± 30°	
ANGULAR ± 3°		4 PLACES ± 0.2	
DRAFT WHERE APPLICABLE		3 PLACES ± 0.25	
MUST REMAIN WITHIN DIMENSIONS		2 PLACES ± 0.3	
		1 PLACE ±	
		0 PLACES ±	
		DRAFT WHERE APPLICABLE MUST REMAIN WITHIN DIMENSIONS	

CURRENT REV DESC: REVISED		EC NO: 600129	
		DRWN: YCHEN128 2018/04/09	
		CHK'D: KTAKAHASHI 2018/04/12	
		APPR: NUKITA 2018/04/13	
INITIAL REVISION:		DRWN: NASANUMA 2012/09/13	
		APPR: KMORIKAWA 2013/03/15	
THIRD ANGLE PROJECTION	DRAWING	SERIES	MATERIAL NUMBER
	A3-SIZE	52435	CUSTOMER

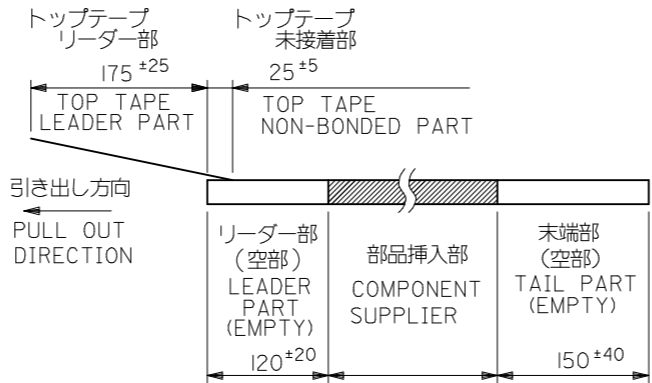
molex			
0.5 FPC CONN ZIF R/A HOUSING ASSY (UPPER CONTAT)			
PRODUCT CUSTOMER DRAWING			
DOCUMENT NUMBER	DOC TYPE	DOC PART	REVISION
SD-52435-022	PSD	001	C
MATERIAL NUMBER	CUSTOMER		SHEET NUMBER
	GENERAL MARKET		2 OF 2

10 9 8 7 6 5 4 3 2 1



注記 NOTES

- 製品番号 52435-**22 の梱包状態はアクチュエータがロックした状態とする。
詳細寸法については図面 RSD-52435-22 を参照下さい。
IN THE PACKAGE,ACTUATOR OF PART NO.52435-**22 SHOULD BE LOCKED RE DETAILED DIMENSIONS,SEE RSD-52435-021
- 梱包数量：1000個/リール
NUMBER OF CONNECTORS:1000PCS/REEL
- リードテープ長さ LEAD TAPE LENGTH

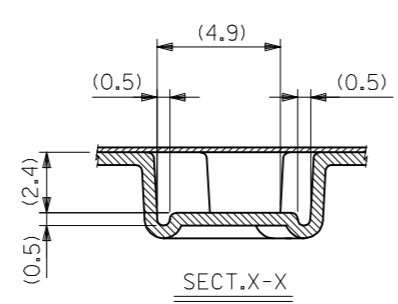
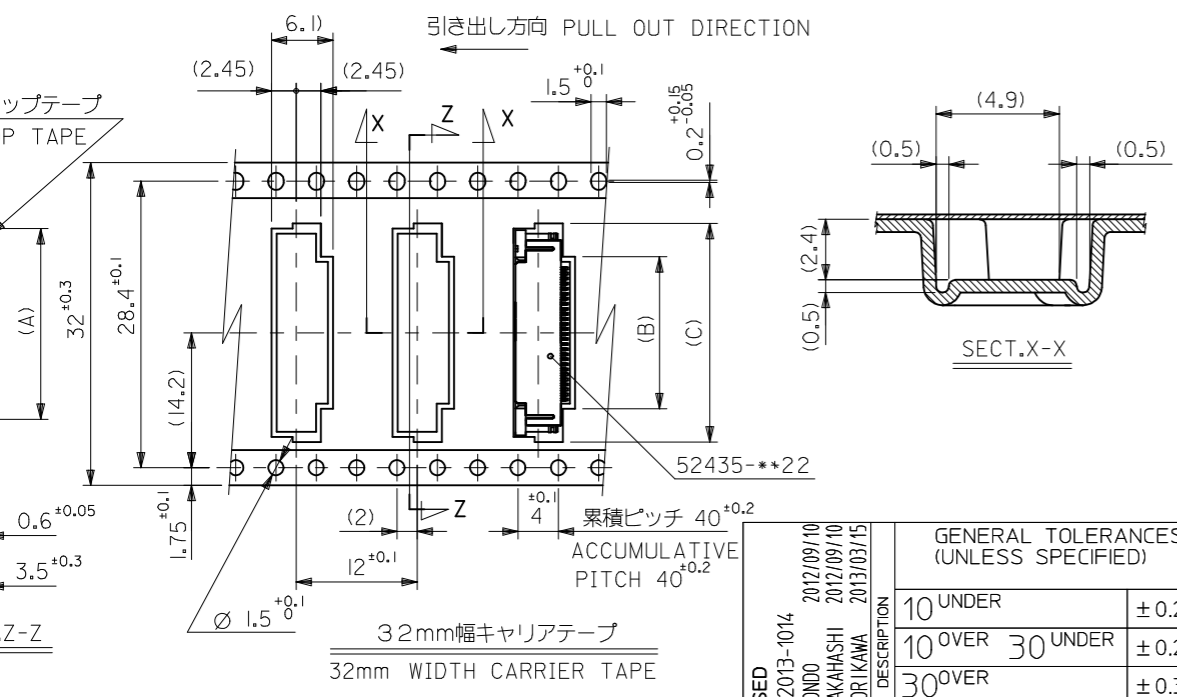
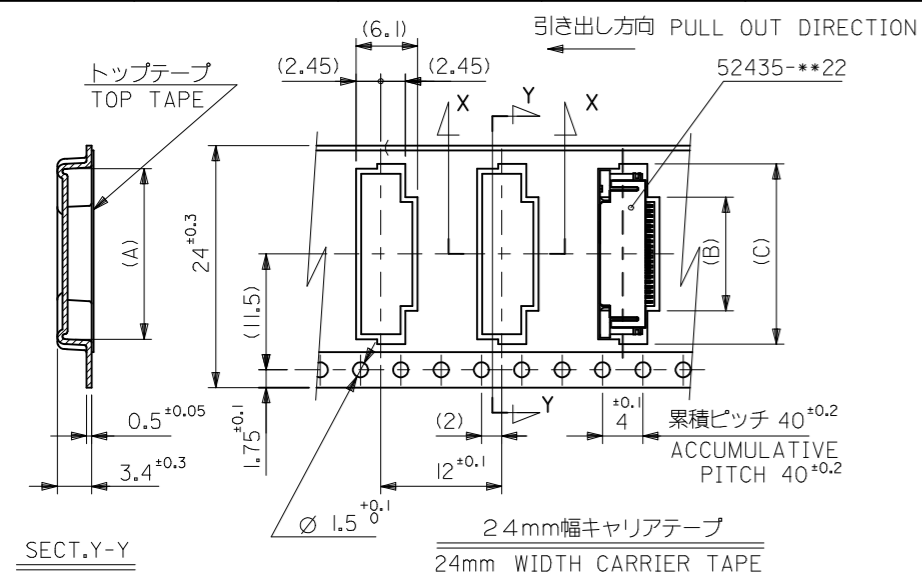


- トップテープの剥離強度については、IEC60286-3 に準拠
TOP TAPE PEEL FORCE IS DEFINED BY IEC60286-3.
- 材料 (MATERIAL)
キャリアテープ (CARRIER TAPE) :ポリプロピレン (POLYPROPYLENE)
トップテープ (TOPTAPE) : PET, PE, PEF
リール (REEL) : ポリスチレン (PS) <リサイクル材を含む>
POLYSTYREN (PS) <RECYCLE MATERIAL CONTAINED>
- ELV及びRoHS適合品
ELV AND RoHS COMPLIANT

RELEASED EC NO: J2013-1014 DRW: NKONDO 2012/09/10 CHKD: KTAKAHASHI 2012/09/10 APPR: KMORIKAWA 2013/03/15	GENERAL TOLERANCES (UNLESS SPECIFIED)		DIMENSION STYLE MM ONLY		SCALE ---	DESIGN UNITS METRIC	THIRD ANGLE PROJECTION
	10 UNDER	±0.2	DRAWN BY NKONDO	DATE 2012/09/10	TITLE 0.5 FPC CONN ZIF SMT R/A WITH TAPE EMBSTP PKG		
	10 OVER 30 UNDER	±0.25	CHECKED BY KTAKAHASHI	DATE 2012/09/10	DOCUMENT NO. SD-52435-023		
	30 OVER	±0.3	APPROVED BY KMORIKAWA	DATE 2013/03/15			
ANGULAR	±3 °	MATERIAL NO.		SEE CHART			
DRAFT WHERE APPLICABLE MUST REMAIN WITHIN DIMENSIONS		SIZE A3		THIS DRAWING CONTAINS INFORMATION THAT IS PROPRIETARY TO MOLEX INCORPORATED AND SHOULD NOT BE USED WITHOUT WRITTEN PERMISSION			

9 8 7 6 5 4 3 2 1

10 9 8 7 6 5 4 3 2 1

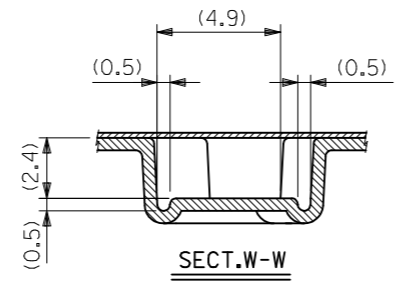
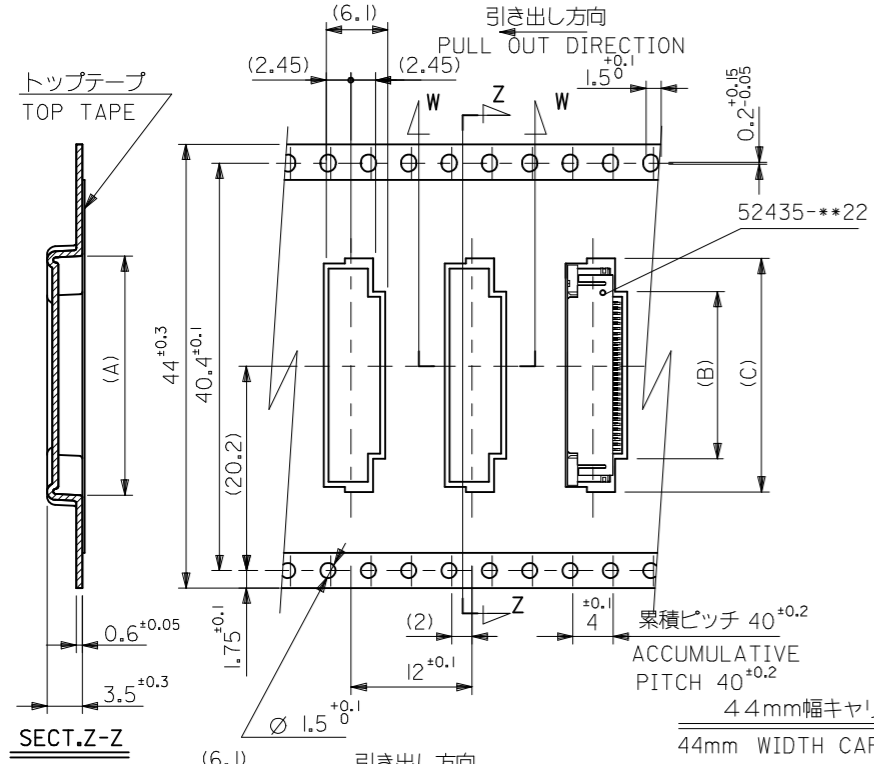


32	33.5	22.4	15.8	21.4	52435-2933	29
		21.9	15.3	20.9	-2833	28
		21.4	14.8	20.4	-2733	27
		20.9	14.3	19.9	-2633	26
		20.4	13.8	19.4	-2533	25
		19.9	13.3	18.9	-2433	24
		19.4	12.8	18.4	-2333	23
		18.9	12.3	17.9	52435-2233	22

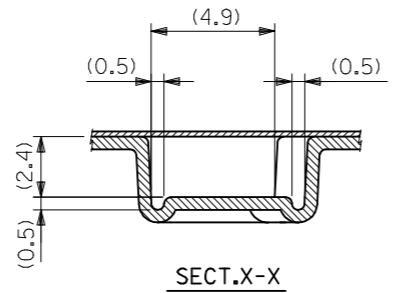
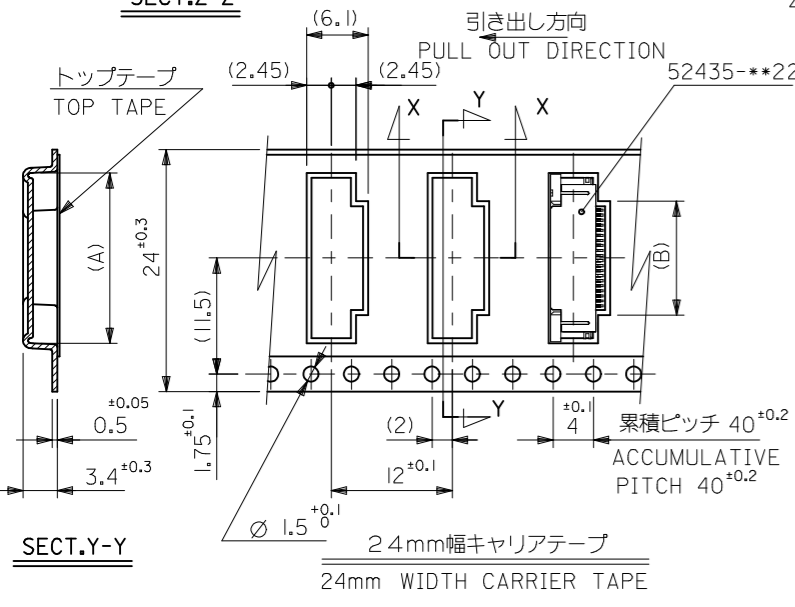
キャリアテープ幅 CARRIER TAPE WIDTH	D	(C)	(B)	(A)	オーダー番号 ORDER NO.	極数 CIRCUIT
GENERAL TOLERANCES (UNLESS SPECIFIED)		DIMENSION STYLE	SCALE	DESIGN UNITS	THIRD ANGLE PROJECTION	
10 UNDER ±0.2		MM ONLY	---	METRIC		
10 OVER 30 UNDER ±0.25		DRAWN BY	DATE	TITLE		
30 OVER ±0.3		NKONDO	2012/09/10	0.5 FPC CONN ZIF SMT R/A WITH TAPE EMBSTP PKG		
ANGULAR ±3 °		CHECKED BY	DATE	molex		
DRAFT WHERE APPLICABLE MUST REMAIN WITHIN DIMENSIONS		KTAKAHASHI	2012/09/10			
REV 0		APPROVED BY	DATE	MATERIAL NO.	DOCUMENT NO.	SHEET NO.
		KMORIKAWA	2013/03/15	SEE CHART	SD-52435-023	2 OF 3
THIS DRAWING CONTAINS INFORMATION THAT IS PROPRIETARY TO MOLEX INCORPORATED AND SHOULD NOT BE USED WITHOUT WRITTEN PERMISSION						

9 8 7 6 5 4 3 2 1

10 9 8 7 6 5 4 3 2 1



44	45.5	22.9	16.3	21.9	52435-3033	30
キャリアテープ幅 CARRIER TAPE WIDTH	D	(C)	(B)	(A)	オーダー番号 ORDER NO.	極数 CIRCUIT



24	25.5	11.8	17.4	52435-2133	21
キャリアテープ幅 CARRIER TAPE WIDTH	D	(B)	(A)	オーダー番号 ORDER NO.	極数 CIRCUIT

RELEASED EC NO: J2013-1014 DRAWN: NKONDO 2012/09/10 CHKD: KTAKAHASHI 2012/09/10 APPR: KMORIKAWA 2013/03/15	GENERAL TOLERANCES (UNLESS SPECIFIED)		DIMENSION STYLE MM ONLY		SCALE ---	DESIGN UNITS METRIC	THIRD ANGLE PROJECTION
	10 UNDER	±0.2	DRAWN BY NKONDO	DATE 2012/09/10	TITLE 0.5 FPC CONN ZIF SMT R/A WITH TAPE EMBSTP PKG		
	10 OVER 30 UNDER	±0.25	CHECKED BY KTAKAHASHI	DATE 2012/09/10	molex DOCUMENT NO. SD-52435-023 SHEET NO. 3 OF 3		
	30 OVER	±0.3	APPROVED BY KMORIKAWA	DATE 2013/03/15			
	ANGULAR	±3 °	MATERIAL NO.		SEE CHART		
DRAFT WHERE APPLICABLE MUST REMAIN WITHIN DIMENSIONS		THIS DRAWING CONTAINS INFORMATION THAT IS PROPRIETARY TO MOLEX INCORPORATED AND SHOULD NOT BE USED WITHOUT WRITTEN PERMISSION					

9 8 7 6 5 4 3 2 1

X-ON Electronics

Largest Supplier of Electrical and Electronic Components

Click to view similar products for [FFC & FPC Connectors](#) category:

Click to view products by [Molex](#) manufacturer:

Other Similar products are found below :

[HFW11R-1STE1H1LF](#) [FH29B-100S-0.2SHW\(99\)](#) [FA5S008HP1](#) [FH29B-120S-0.2SHW\(99\)](#) [FH29B-80S-0.2SHW\(99\)](#) [FHS-16](#) [FPH-2022G](#)
[52610-1075](#) [52610-1275](#) [52610-1934](#) [XF3M\(1\)-1415-1B-R100](#) [501864-3091-TR225](#) [0525594033](#) [086210010340800](#) [086222026001800](#)
[52271-2869-CUT-TAPE](#) [62674-201121DLF](#) [62684-36210E9ALF](#) [52610-1675](#) [52746-1671-TR250](#) [10051922-2810EHLF](#) [6-520415-9](#)
[BD021-09A-A1-0350-0200-0550-LD](#) [SFV6R-1STE9HLF](#) [XF3M-2915-1B-R100](#) [1658549-1](#) [62674-221121ALF](#) [46214008010800](#)
[046298003000883](#) [151660622](#) [842-816-2630-035](#) [AYF530665TA](#) [AYF351525](#) [046296011930846+](#) [AYF352325A](#) [046254020000800+](#)
[FH19C-13S-0.5SH\(99\)](#) [FH39J-51S-0.3SHW\(99\)](#) [AYF355125A](#) [AYF530365TA](#) [FH29B-44S-0.2SHW\(99\)](#) [SFW5R-2STAE9LF](#) [AYF351125A](#)
[AYF350725A](#) [62684-502100AHLF](#) [FH39-61S-0.3SHW\(99\)](#) [AYF414035A](#) [10064555-172520HLF](#) [AYF212335A](#) [504754-2500](#)