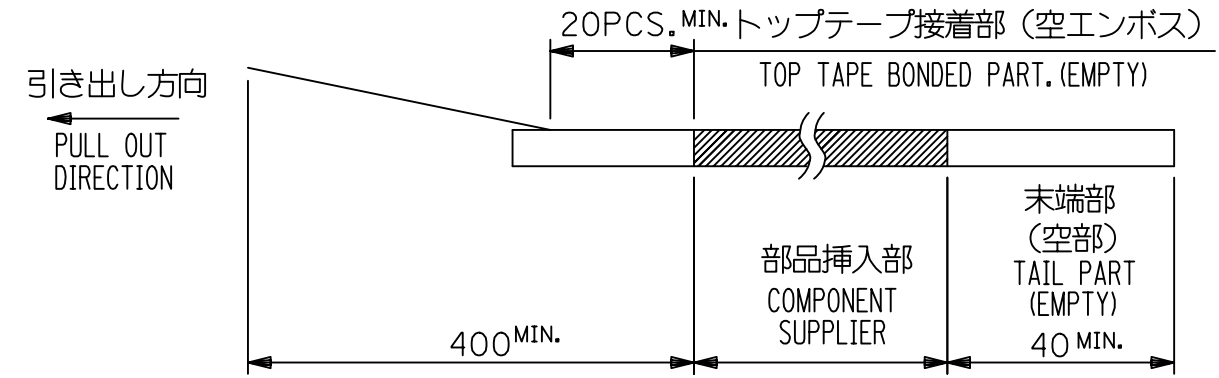


NOTE

1.52610-**23のアクチュエータはハウジング内に押し下げた状態とする。
 詳細寸法については図面 526101002 PSD 000 を参照下さい。
 ACTUATOR OF PART NO. 52610-**23 SHOULD BE LOCKED.
 RE DETAILED DIMENSIONS, SEE 526101002 PSD 000.

2.梱包数量：1000個/リール
 NUMBER OF CONNECTORS：1000 PCS/REEL

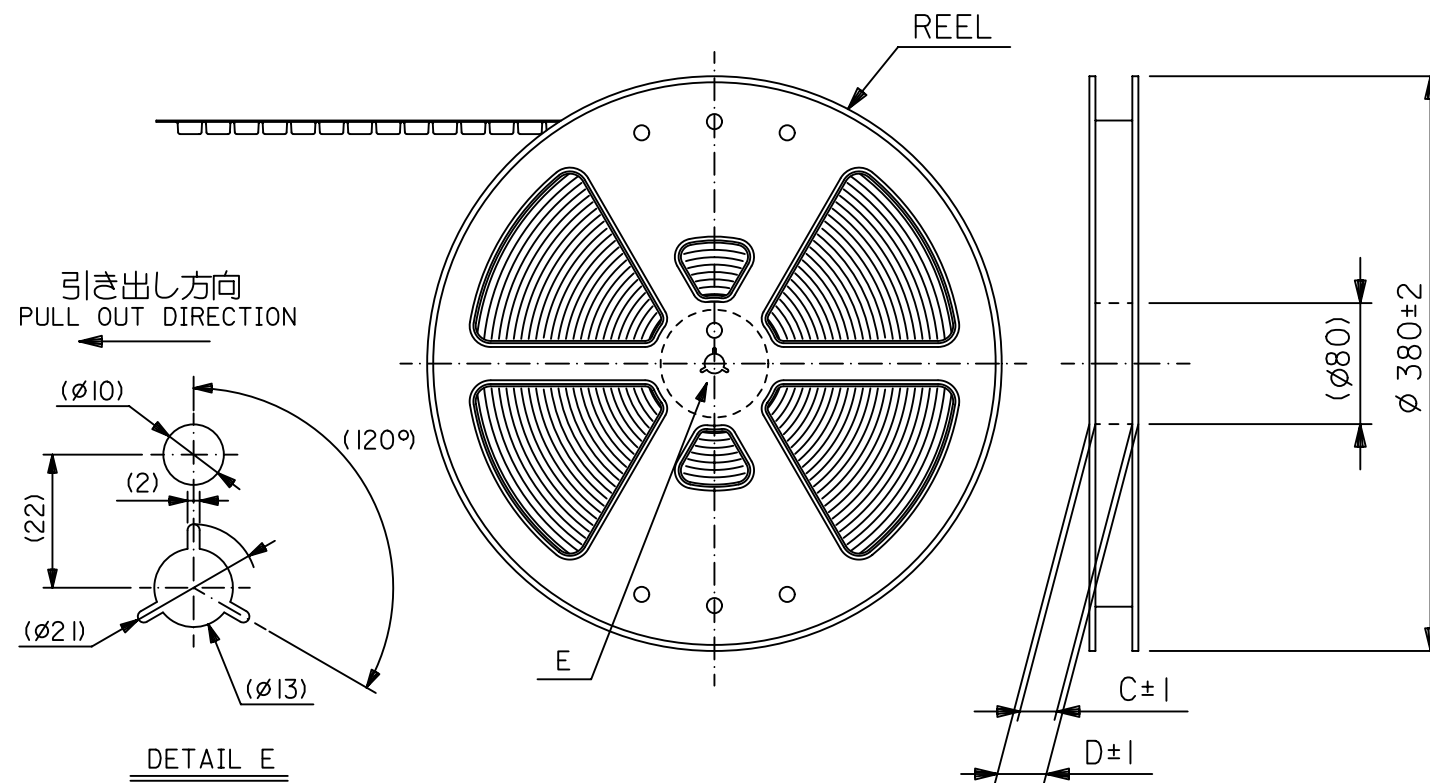
3.リードテープ長さ LEAD TAPE LENGTH



4.カバーテープの剥離強度については、IEC60286-3に準拠。
 COVER TAPE PEEL FORCE IS DEFINED BY IEC60286-3.

5.材料 MATERIAL
 キャリアテープ：ポリプロピレン
 トップテープ：PET, PE, PEF
 リール：ポリスチレン <リサイクル材を含む>
 CARRIER TAPE：POLYPROPYLENE
 TOP TAPE：PET, PE, PEF
 REEL：POLYSTYRENE (PS) < RECYCLE MATERIAL CONTAINED >

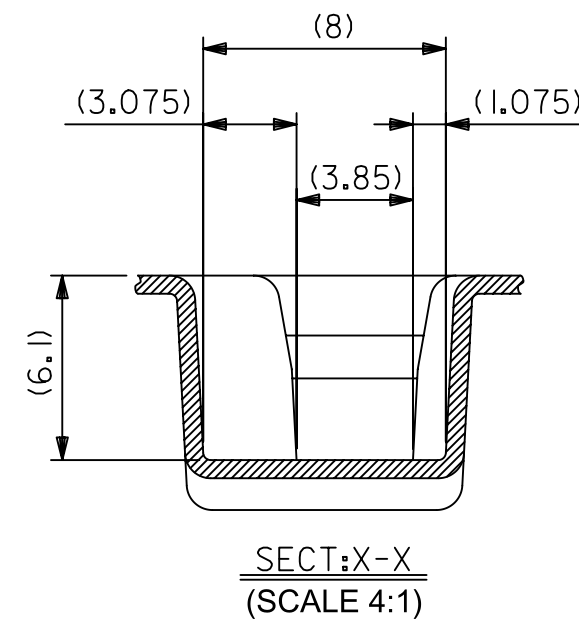
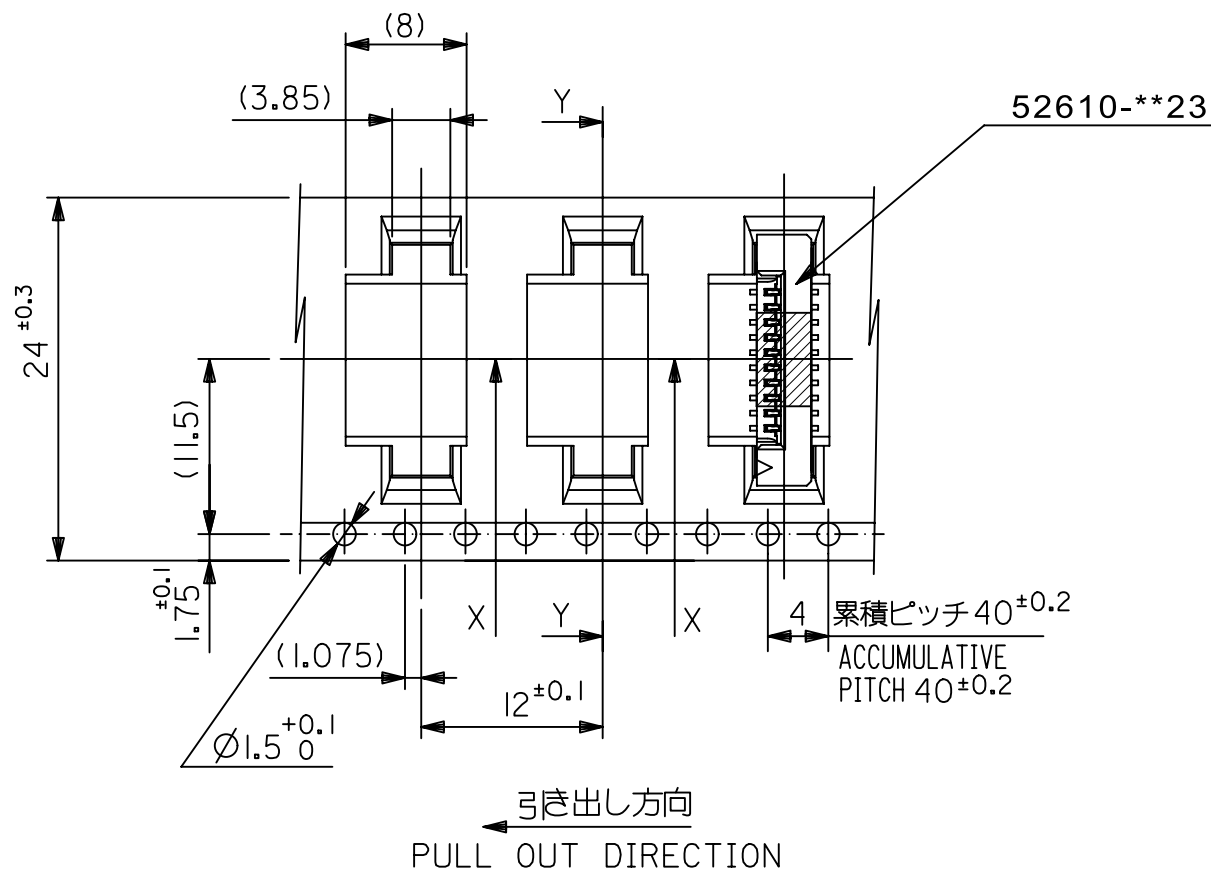
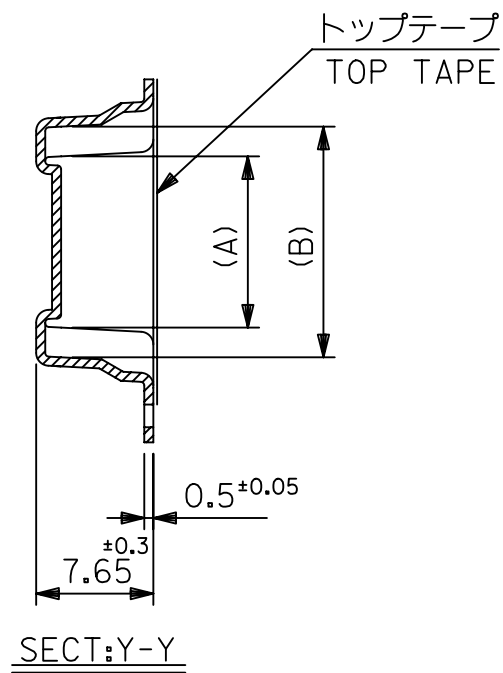
6.ELV及びRoHS適合品。
 ELV AND RoHS COMPLIANT.



MODEL NO. 52610-**34

THIS DRAWING CONTAINS INFORMATION THAT IS PROPRIETARY TO MOLEX ELECTRONIC TECHNOLOGIES, LLC AND SHOULD NOT BE USED WITHOUT WRITTEN PERMISSION											
EC NO: 106044 DRWN: YMIZUNO02 CHK'D: TKUSUHARA01 APPR: TKUSUHARA01 DATE: 2016/12/28	GENERAL TOLERANCES (UNLESS SPECIFIED)			DIMENSION UNITS	SCALE						
	ANGULAR TOL ± 3.0 °			mm	---						
	4 PLACES ± 0.2			DRWN BY	DATE	1.0 FPC CONN ZIF ASSY SMT ST EMBSTP PKG					
	3 PLACES ± 0.2			YMIZUNO02	2016/12/16						
	2 PLACES ± 0.2			CHK'D BY	DATE						
1 PLACE ± 0.2			YKOBAYASHI02		PRODUCT CUSTOMER DRAWING						
0 PLACES ± 0.2			APPR BY	DATE							
DRAFT WHERE APPLICABLE MUST REMAIN WITHIN DIMENSIONS			TKUSUHARA01	2016/12/28	SERIES	MATERIAL NUMBER	CUSTOMER				
			DRAWING SIZE	THIRD ANGLE PROJECTION	52610	SEE CHART	GENERAL				
			A3		DOCUMENT NUMBER	DOC TYPE	DOC PART	SHEET NUMBER			
					526100002	PSD	000	1 OF 5			

GENERAL TOLERANCES (UNLESS SPECIFIED)	
10 UNDER	±0.2
10 OVER 30 UNDER	±0.25
30 OVER	±0.3



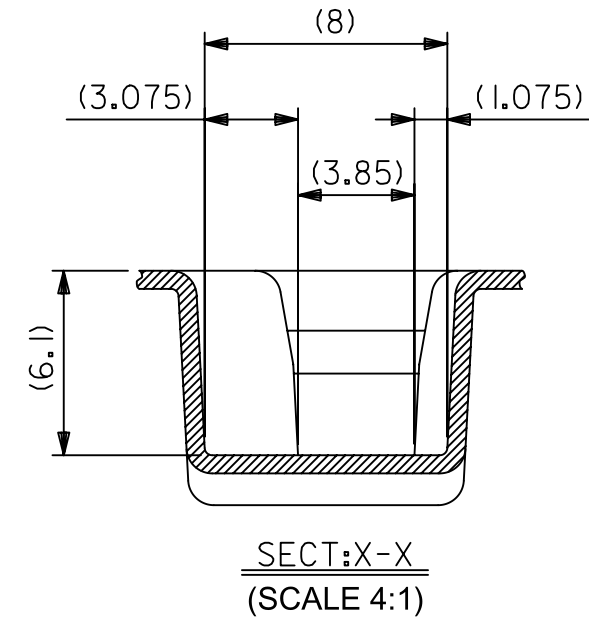
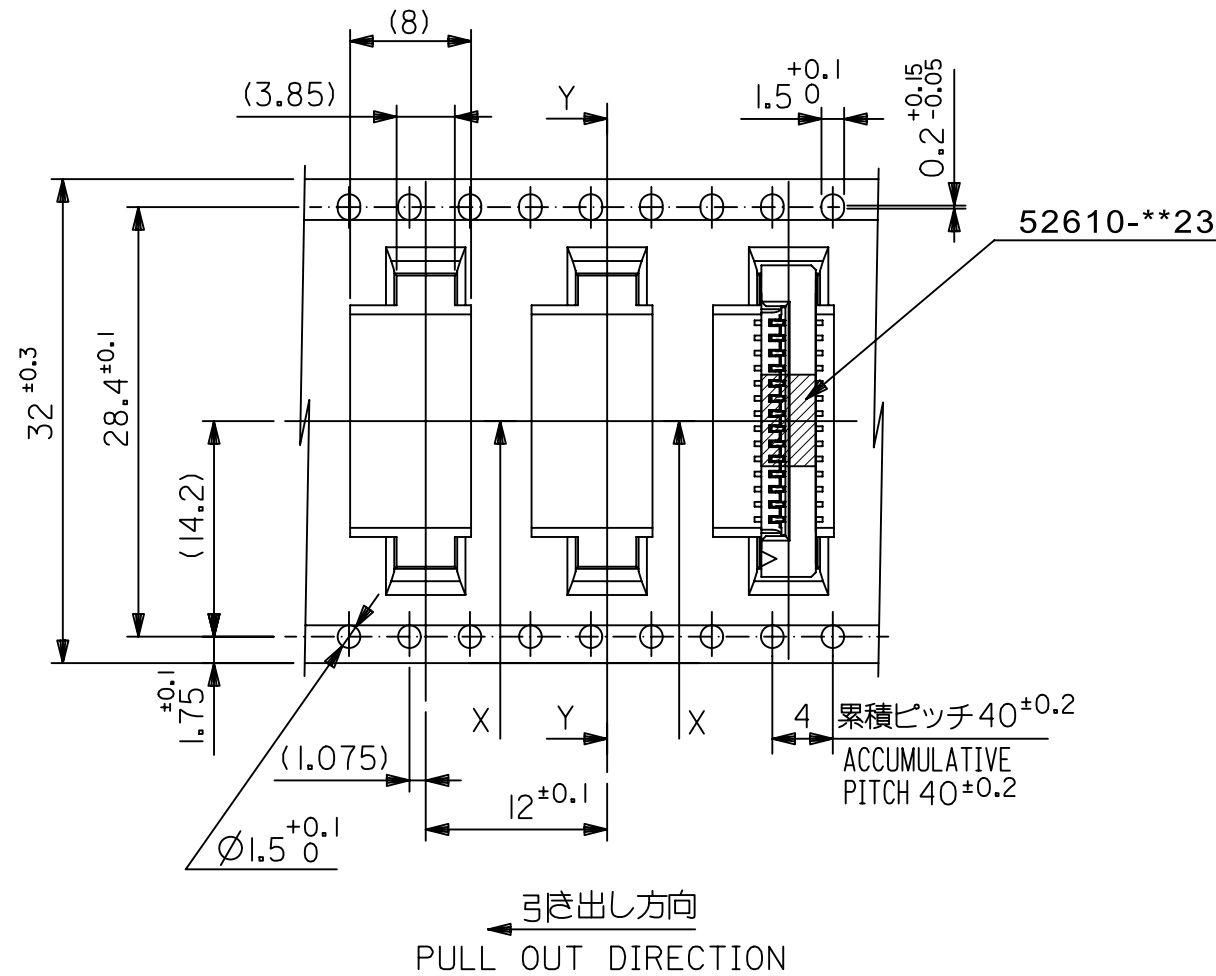
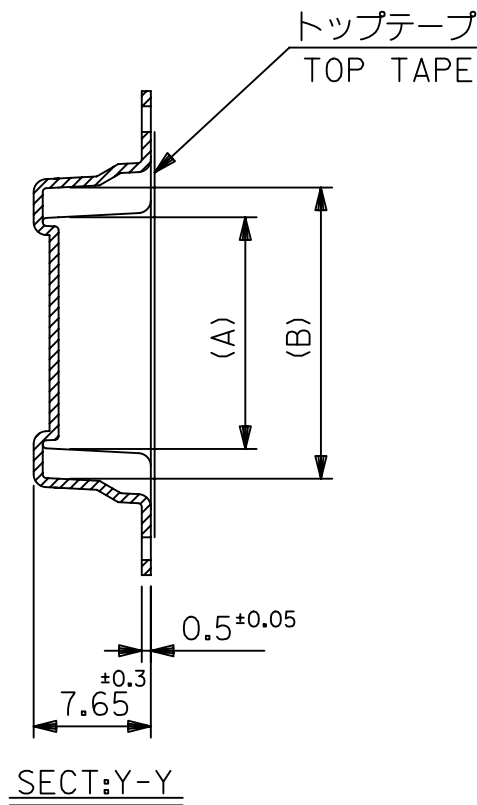
24	29.4	25.4	15.25	11.32	52610-1034	10		
			14.25	10.32	52610-0934	9		
			13.25	9.32	52610-0834	8		
			12.25	8.32	52610-0734	7		
			11.25	7.32	52610-0634	6		
キャリアテープ幅 CARRIER TAPE WIDTH			D	C	(B)	(A)	MATERIAL NO.	極数 CKT

THIS DRAWING CONTAINS INFORMATION THAT IS PROPRIETARY TO MOLEX ELECTRONIC TECHNOLOGIES, LLC AND SHOULD NOT BE USED WITHOUT WRITTEN PERMISSION

GENERAL TOLERANCES (UNLESS SPECIFIED)	
10 UNDER	±0.2
10 OVER 30 UNDER	±0.25
30 OVER	±0.3

EC NO: 106044 DRWN: YMIZUNO02 CHK'D: TKUSUHARA01 APPR: TKUSUHARA01 2016/12/16 2016/12/28 2016/12/28 RELEASED	GENERAL TOLERANCES (UNLESS SPECIFIED)		DIMENSION UNITS	SCALE
	ANGULAR TOL ± 3.0 °		mm	---
	4 PLACES ± 0.2	3 PLACES ± 0.2	DRWN BY	DATE
	2 PLACES ± 0.2	1 PLACE ± 0.2	YMIZUNO02	2016/12/16
	0 PLACES ± 0.2		CHK'D BY	DATE
			YKOBAYASHI02	
		APPR BY	DATE	
		TKUSUHARA01	2016/12/28	
DRAFT WHERE APPLICABLE MUST REMAIN WITHIN DIMENSIONS		DRAWING SIZE	THIRD ANGLE PROJECTION	
		A3		

molex [®]			
1.0 FPC CONN ZIF ASSY SMT ST EMBSTP PKG			
PRODUCT CUSTOMER DRAWING			
SERIES	MATERIAL NUMBER	CUSTOMER	
52610	SEE CHART	GENERAL	
DOCUMENT NUMBER		DOC TYPE	DOC PART SHEET NUMBER
526100002		PSD	000 2 OF 5



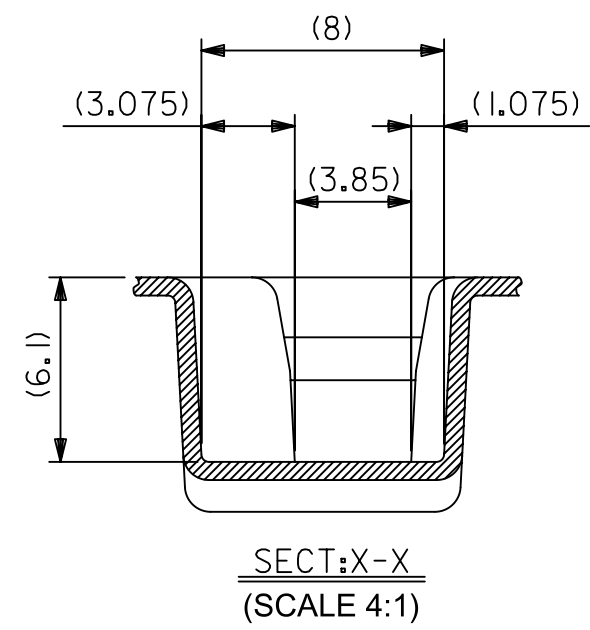
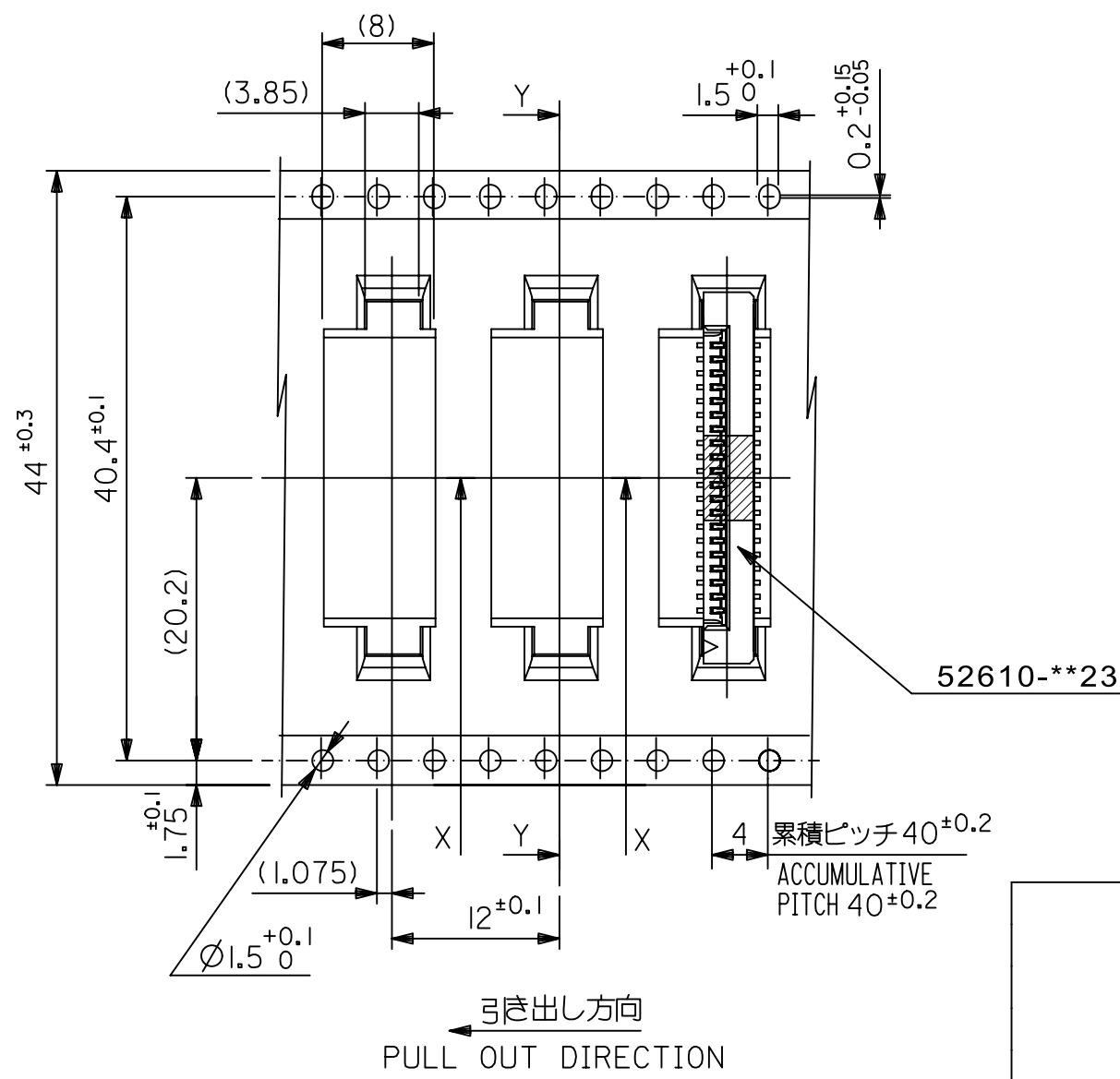
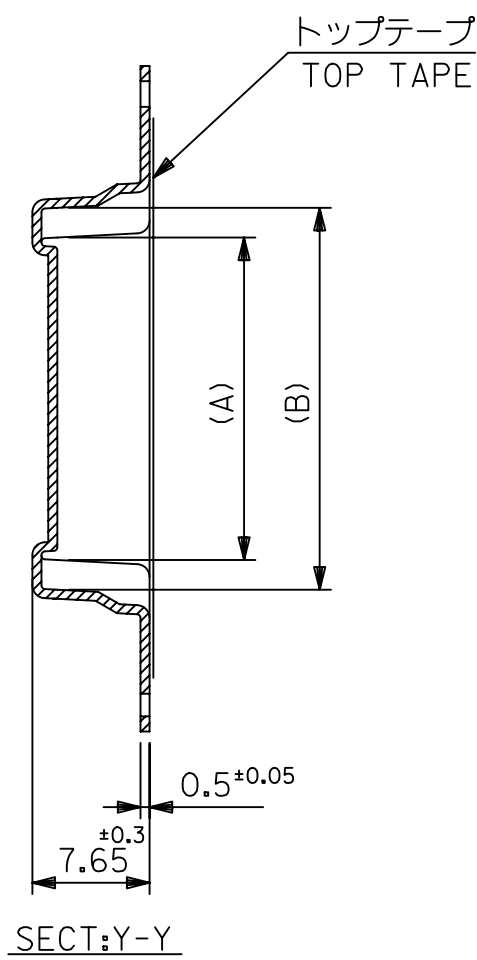
32	37.4	33.4	20.25	16.32	52610-1534	15	
			19.25	15.32	52610-1434	14	
			18.25	14.32	52610-1334	13	
			17.25	13.32	52610-1234	12	
			16.25	12.32	52610-1134	11	
キャリアテープ幅 CARRIER TAPE WIDTH		D	C	(B)	(A)	MATERIAL NO.	極数 CKT

THIS DRAWING CONTAINS INFORMATION THAT IS PROPRIETARY TO MOLEX ELECTRONIC TECHNOLOGIES, LLC AND SHOULD NOT BE USED WITHOUT WRITTEN PERMISSION

GENERAL TOLERANCES (UNLESS SPECIFIED)	
10 UNDER	±0.2
10 OVER 30 UNDER	±0.25
30 OVER	±0.3

EC NO: 106044 DRWN: YMIZUNO02 CHK'D: TKUSUHARA01 APPR: TKUSUHARA01 2016/12/16 2016/12/28 2016/12/28 RELEASED	GENERAL TOLERANCES (UNLESS SPECIFIED)		DIMENSION UNITS	SCALE
	ANGULAR TOL ± 3.0 °		mm	---
	4 PLACES ± 0.2	3 PLACES ± 0.2	DRWN BY	DATE
	2 PLACES ± 0.2	1 PLACE ± 0.2	YMIZUNO02	2016/12/16
	0 PLACES ± 0.2		CHK'D BY	DATE
			YKOBAYASHI02	
		APPR BY	DATE	
		TKUSUHARA01	2016/12/28	
DRAFT WHERE APPLICABLE MUST REMAIN WITHIN DIMENSIONS		DRAWING SIZE	THIRD ANGLE PROJECTION	
		A3		

molex [®]			
1.0 FPC CONN ZIF ASSY SMT ST EMBSTP PKG			
PRODUCT CUSTOMER DRAWING			
SERIES	MATERIAL NUMBER	CUSTOMER	
52610	SEE CHART	GENERAL	
DOCUMENT NUMBER		DOC TYPE	DOC PART SHEET NUMBER
526100002		PSD	000 3 OF 5



44	49.4	45.4	31.25	27.32	52610-2634	26		
			30.25	26.32	52610-2534	25		
			29.25	25.32	52610-2434	24		
			28.25	24.32	52610-2334	23		
			27.25	23.32	52610-2234	22		
			26.25	22.32	52610-2134	21		
			25.25	21.32	52610-2034	20		
			24.25	20.32	52610-1934	19		
			23.25	19.32	52610-1834	18		
			22.25	18.32	52610-1734	17		
21.25	17.32	52610-1634	16					
キャリアテープ幅 CARRIER TAPE WIDTH			D	C	(B)	(A)	MATERIAL NO.	極数 CKT

THIS DRAWING CONTAINS INFORMATION THAT IS PROPRIETARY TO MOLEX ELECTRONIC TECHNOLOGIES, LLC AND SHOULD NOT BE USED WITHOUT WRITTEN PERMISSION

GENERAL TOLERANCES (UNLESS SPECIFIED)	
10 UNDER	±0.2
10 OVER 30 UNDER	±0.25
30 OVER	±0.3

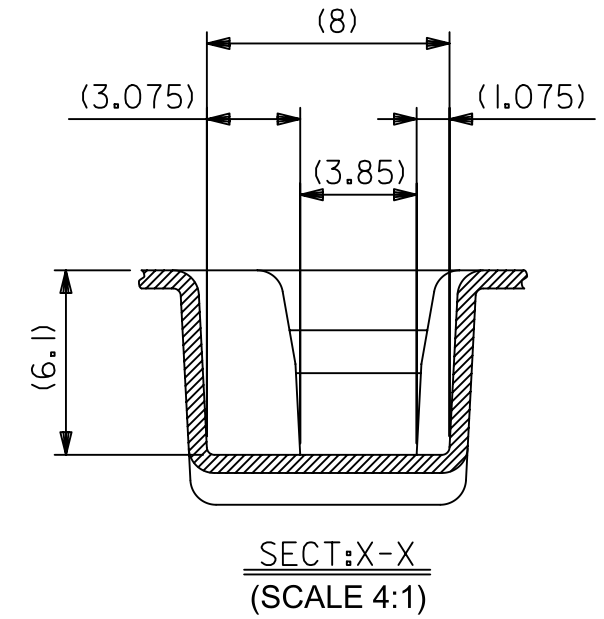
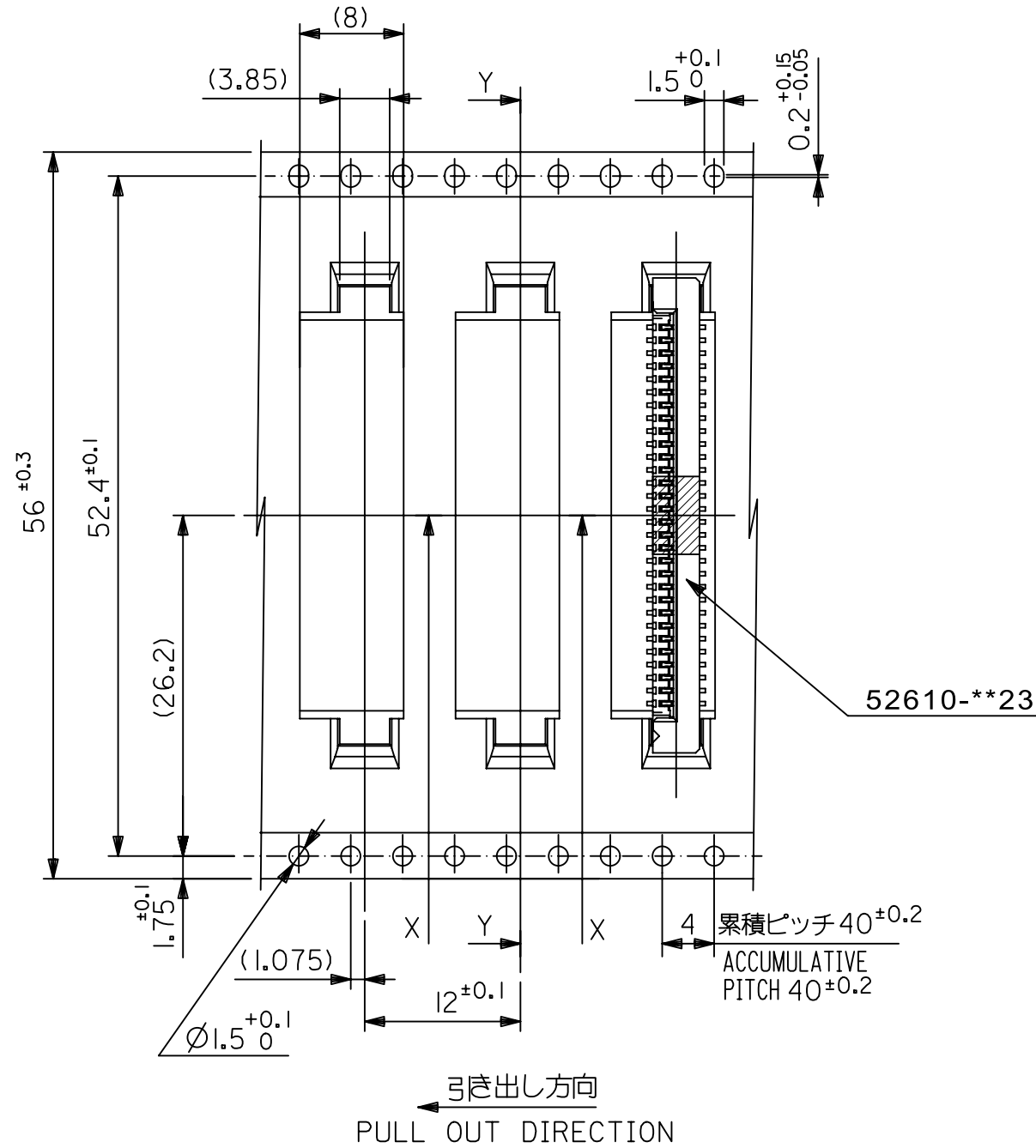
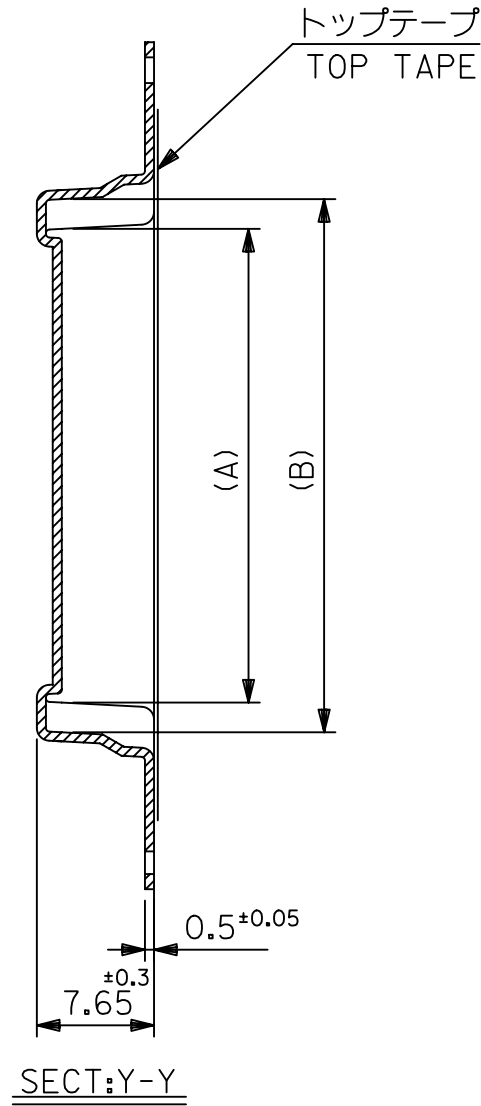
2016/12/16 DRWN: YMIZUNO02	2016/12/28 CHK'D: TKUSUHARA01	2016/12/28 APPR: TKUSUHARA01	GENERAL TOLERANCES (UNLESS SPECIFIED) ANGULAR TOL ± 3.0 ° 4 PLACES ± 0.2 3 PLACES ± 0.2 2 PLACES ± 0.2 1 PLACE ± 0.2 0 PLACES ± 0.2 DRAFT WHERE APPLICABLE MUST REMAIN WITHIN DIMENSIONS	DIMENSION UNITS mm	SCALE ---
RELEASED				DRWN BY YMIZUNO02	DATE 2016/12/16
EC NO: 106044				CHK'D BY YKOBAYASHI02	DATE
REV A				APPR BY TKUSUHARA01	DATE 2016/12/28
REV				DRAWING SIZE A3	THIRD ANGLE PROJECTION

molex[®]

1.0 FPC CONN ZIF ASSY SMT ST EMBSTP PKG

PRODUCT CUSTOMER DRAWING

SERIES 52610	MATERIAL NUMBER SEE CHART	CUSTOMER GENERAL
DOCUMENT NUMBER 526100002	DOC TYPE PSD	DOC PART 000
SHEET NUMBER 4 OF 5		

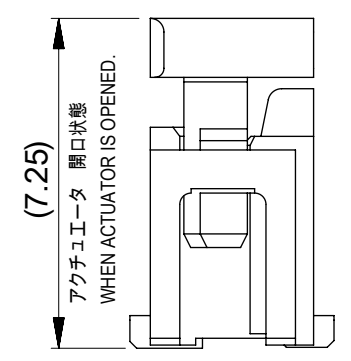
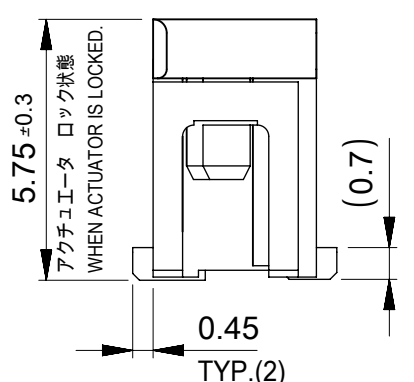
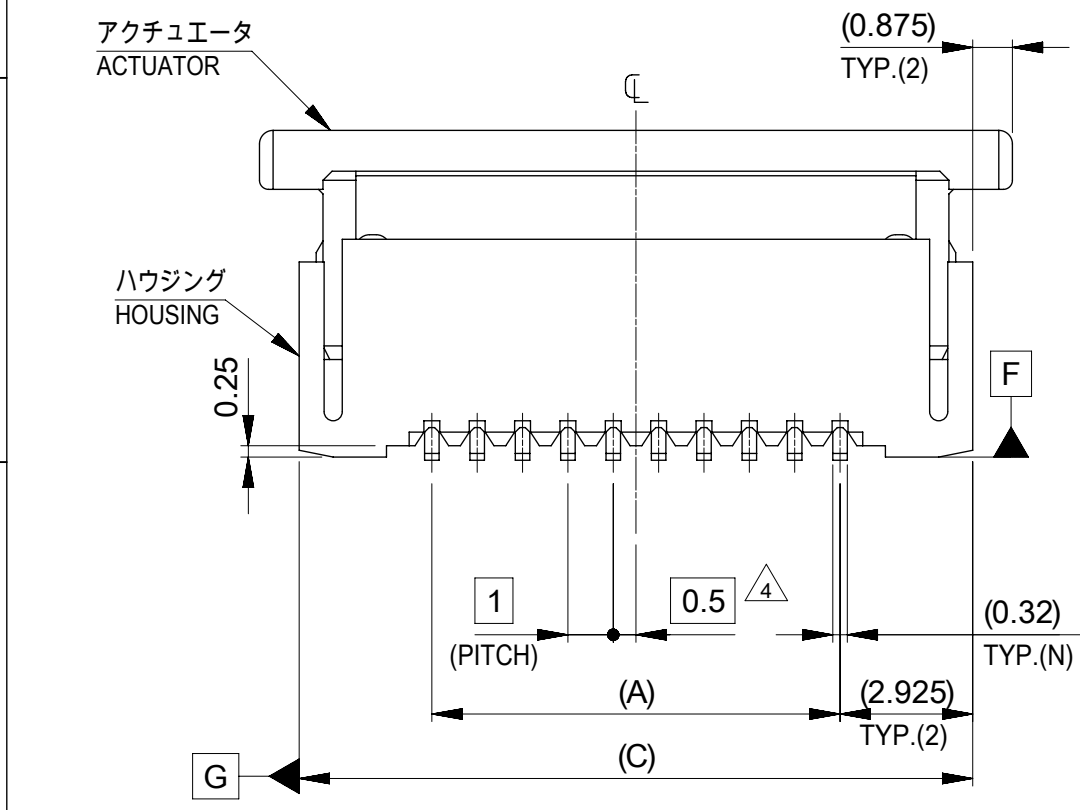
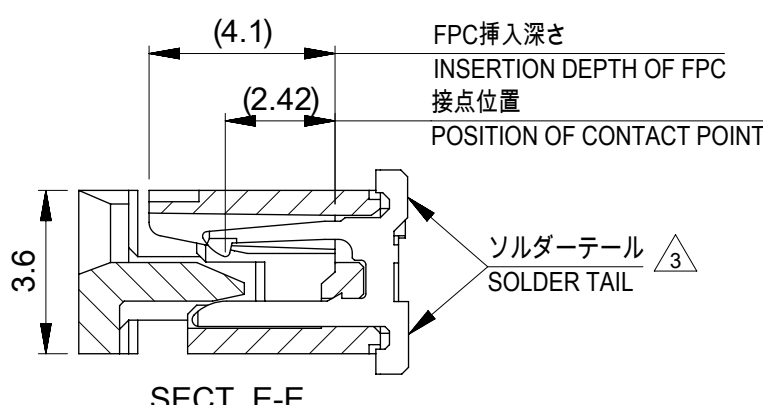
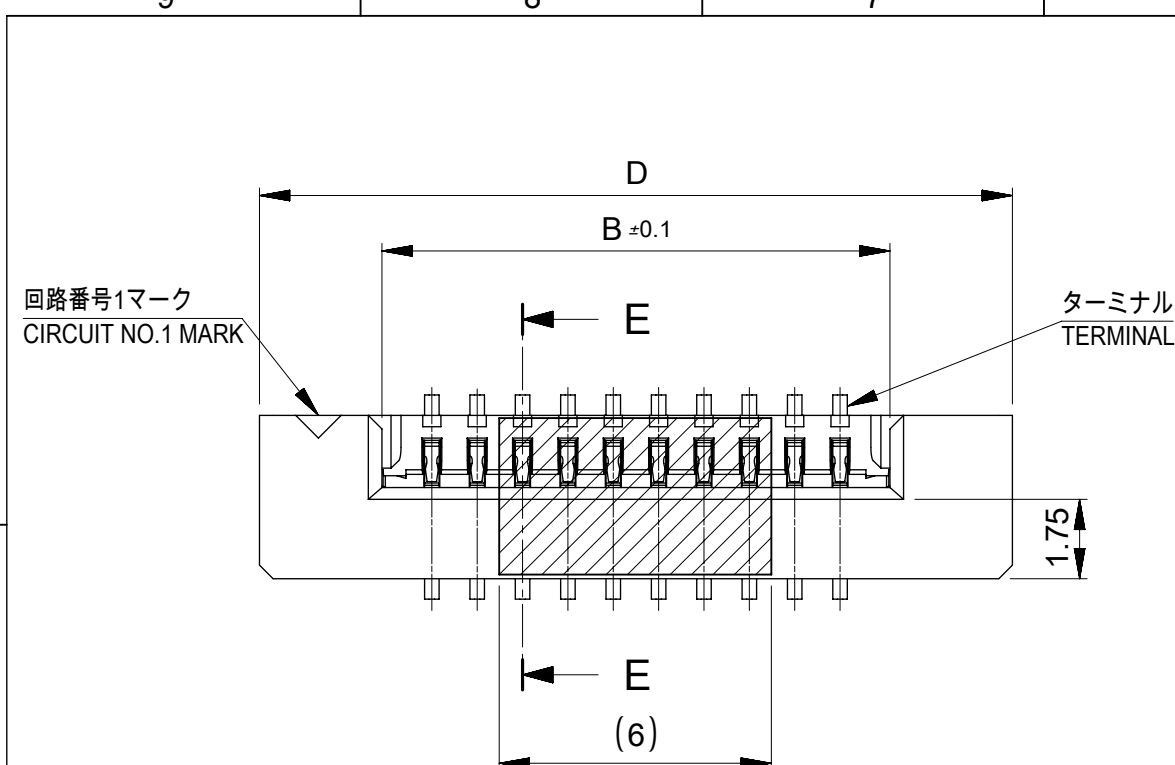


56	61.4	57.4	35.25	31.32	52610-3034	30
			33.25	29.32	52610-2834	28
キャリアテープ幅 CARRIER TAPE WIDTH	D	C	(B)	(A)	MATERIAL NO.	極数 CKT

THIS DRAWING CONTAINS INFORMATION THAT IS PROPRIETARY TO MOLEX ELECTRONIC TECHNOLOGIES, LLC AND SHOULD NOT BE USED WITHOUT WRITTEN PERMISSION

EC NO: 106044 DRWN: YMIZUNO02 CHK'D: TKUSUHARA01 APPR: TKUSUHARA01	2016/12/16	2016/12/28	2016/12/28	GENERAL TOLERANCES (UNLESS SPECIFIED) ANGULAR TOL ± 3.0 ° 4 PLACES ± 0.2 3 PLACES ± 0.2 2 PLACES ± 0.2 1 PLACE ± 0.2 0 PLACES ± 0.2 DRAFT WHERE APPLICABLE MUST REMAIN WITHIN DIMENSIONS	DIMENSION UNITS	SCALE						
	RELEASED	2016/12/16	2016/12/28		mm	---						
	DRWN BY	DATE	YMIZUNO02		2016/12/16	CHK'D BY		DATE	1.0 FPC CONN ZIF ASSY SMT ST EMBSTP PKG			
	YKOBAYASHI02		APPR BY		DATE	TKUSUHARA01		2016/12/28	PRODUCT CUSTOMER DRAWING			
							SERIES	MATERIAL NUMBER	CUSTOMER			
							52610	SEE CHART	GENERAL			
							DRAWING SIZE	THIRD ANGLE PROJECTION	DOCUMENT NUMBER	DOC TYPE	DOC PART	SHEET NUMBER
							A3		526100002	PSD	000	5 OF 5

GENERAL TOLERANCES (UNLESS SPECIFIED)	
10 UNDER	±0.2
10 OVER 30 UNDER	±0.25
30 OVER	±0.3



36.6	34.85	31.2	29	52610-3034	30
34.6	32.85	29.2	27	52610-2834	28
32.6	30.85	27.2	25	52610-2634	26
31.6	29.85	26.2	24	52610-2534	25
30.6	28.85	25.2	23	52610-2434	24
29.6	27.85	24.2	22	52610-2334	23
28.6	26.85	23.2	21	52610-2234	22
27.6	25.85	22.2	20	52610-2134	21
26.6	24.85	21.2	19	52610-2034	20
25.6	23.85	20.2	18	52610-1934	19
24.6	22.85	19.2	17	52610-1834	18
23.6	21.85	18.2	16	52610-1734	17
22.6	20.85	17.2	15	52610-1634	16
21.6	19.85	16.2	14	52610-1534	15
20.6	18.85	15.2	13	52610-1434	14
19.6	17.85	14.2	12	52610-1334	13
18.6	16.85	13.2	11	52610-1234	12
17.6	15.85	12.2	10	52610-1134	11
16.6	14.85	11.2	9	52610-1034	10
15.6	13.85	10.2	8	52610-0934	9
14.6	12.85	9.2	7	52610-0834	8
13.6	11.85	8.2	6	52610-0734	7
12.6	10.85	7.2	5	52610-0634	6

D (C) B (A) EMBOSSED PACKAGE ORDER NO. オーダー番号 極数 CKT

CONNECTOR SERIES NO. : 52610-**23

THIS DRAWING CONTAINS INFORMATION THAT IS PROPRIETARY TO MOLEX ELECTRONIC TECHNOLOGIES, LLC AND SHOULD NOT BE USED WITHOUT WRITTEN PERMISSION

DIMENSION UNITS	SCALE	CURRENT REV DESC: REVISED		
mm	---	<p>molex</p> <p>1.0 FPC CONN ZIF S/T HOUSING ASSY</p> <p>PRODUCT CUSTOMER DRAWING</p> <p>DOCUMENT NUMBER: 526101002 DOC TYPE: PSD DOC PART: 000 REVISION: B</p>		
GENERAL TOLERANCES (UNLESS SPECIFIED)				
ANGULAR TOL	± 3.0°			
4 PLACES	± 0.03			
3 PLACES	± 0.03			
2 PLACES	± 0.05			
1 PLACE	± 0.1			
0 PLACES	± 0.2			
DRAFT WHERE APPLICABLE MUST REMAIN WITHIN DIMENSIONS		THIRD ANGLE PROJECTION	DRAWING: A3-SIZE	SERIES: 52610

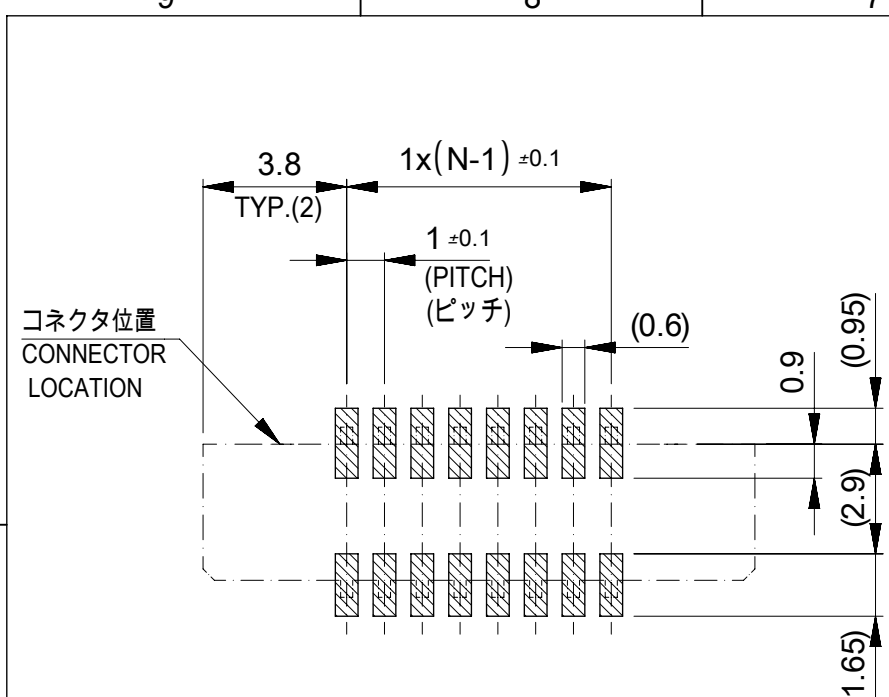
EC NO: 600129
DRWN: YCHEN128 2018/04/11
CHK'D: KTAKAHASHI 2018/04/12
APPR: NUKITA 2018/04/13

INITIAL REVISION:
DRWN: YMIZUNO02 2016/12/16
APPR: TKUSUHARA01 2016/12/28

MATERIAL NUMBER: SEE TABLE CUSTOMER: GENERAL SHEET NUMBER: 1 OF 2

GENERAL TOLERANCES (UNLESS SPECIFIED)

10 UNDER	±0.2
10 OVER 30 UNDER	±0.25
30 OVER	±0.3

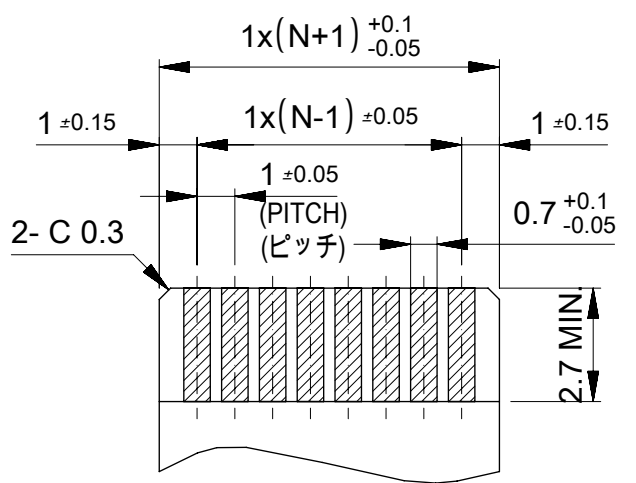


参考基盤レイアウト
RECOMMENDED P.C.BOARD
PATTERN LAYOUT (REFERENCE)

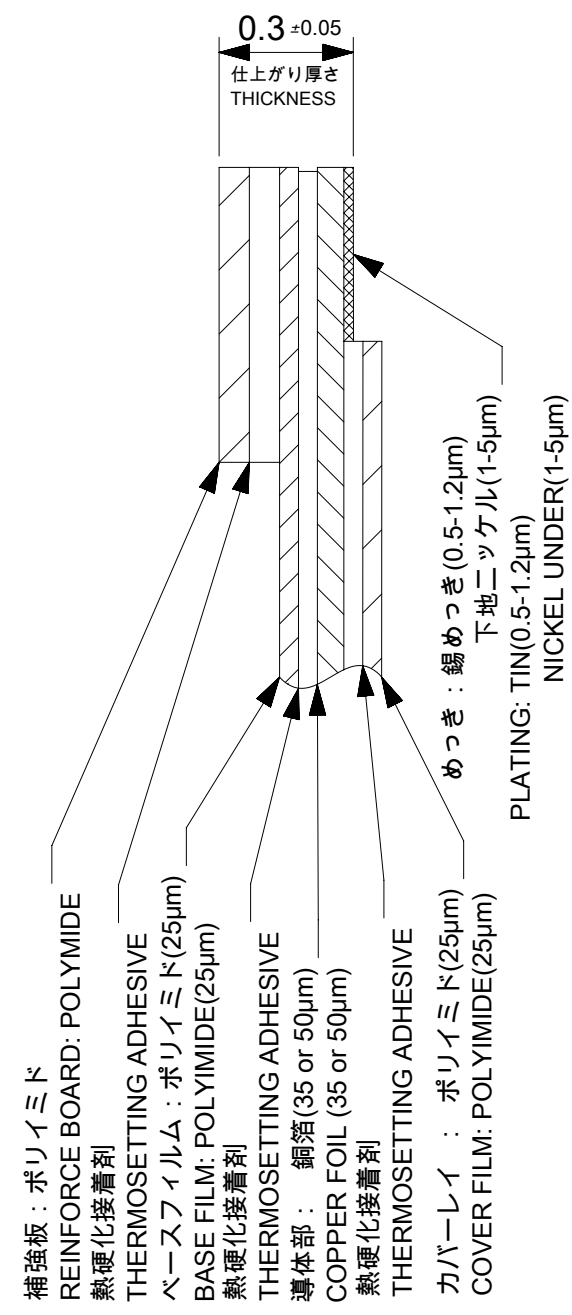
マスク厚 : 120µm
マスク開口率 : 100%
SCREEN THICKNESS : 120 MICROMETER
SCREEN OPEN RATIO : 100%

注記(NOTES):

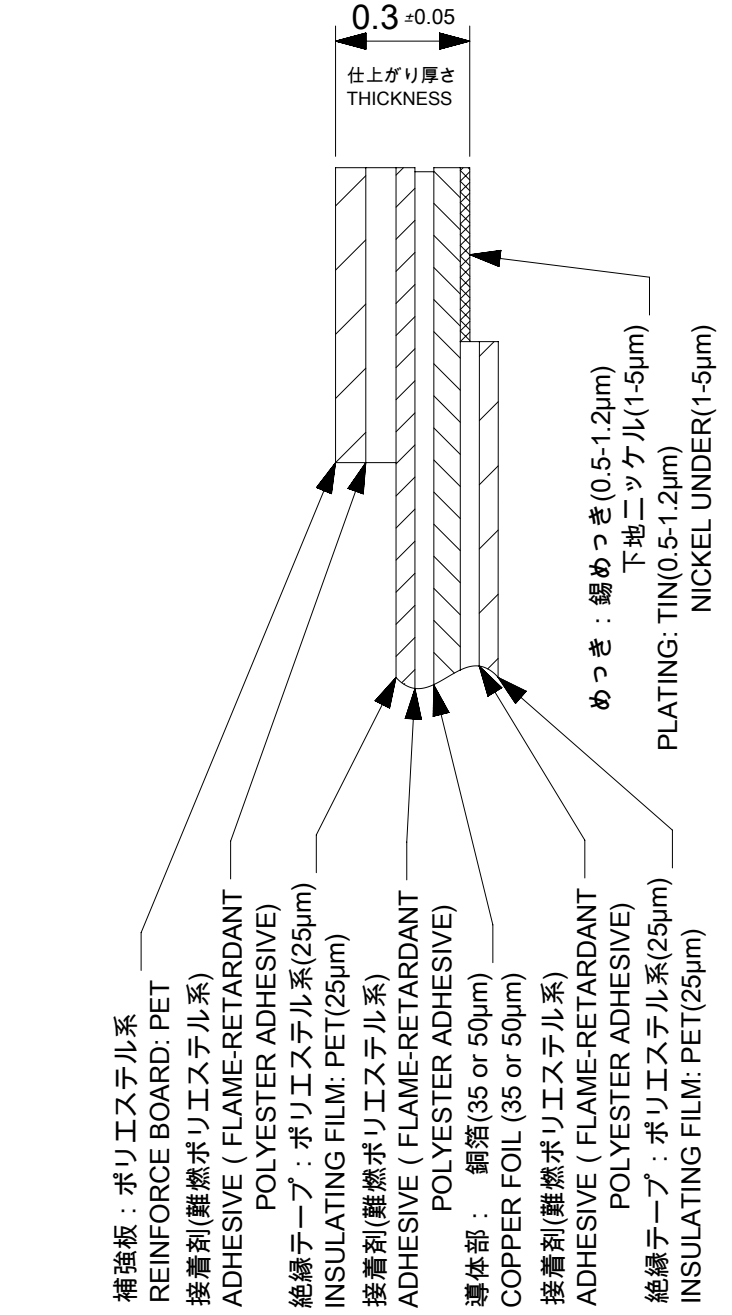
- 材質 MATERIAL
 - ハウジング : ポリアミド(PA)、ナチュラル(白色)、ガラス充填、UL94V-0
 - アクチュエータ : ポリフェニレンサルファイド(PPS)、ナチュラル(茶色)、ガラス充填、UL94V-0
 - ターミナル : リン青銅(t=0.32)
 - HOUSING : POLYAMIDE, NATURAL(WHITE), GLASS FILLED, UL94V-0
 - ACTUATOR : POLYPHENYLENE SULFID, NATURAL(BROWN), GLASS FILLED, UL94V-0
 - TERMINAL : PHOSPHOR BRONZE(t=0.32)
 - めっき仕様 PLATING
 - ターミナル TERMINAL
 - 錫銀ビスマスめっき(1.0µm以上)
 - 下地 : ニッケルめっき(1.0µm以上)
 - TIN SILVER BISMUTH PLATING (1.0 MICROMETER MINIMUM)
 - UNDER PLATE : NICKEL PLATING (1.0 MICROMETER MINIMUM)
3. ソルダータール半田付け面のズレ量は、基準面 **F** に対し
上方向0.05MAX.、下方向0.15MAX.とする。
MISALIGNMENT OF SOLDER TAILS FROM **F** UPPER DIRECTION : 0.05 MAX.
LOWER DIRECTION : 0.15 MAX.
4. 偶数極に適用。
APPLY FOR EVEN CIRCUIT.
5. R0.3はFPCの導体部にかからないこと。
R0.3 MUST NOT BE OVERLAPED TO PATTERN OF FPC.
6. インボステーブ梱包時は、アクチュエータがロックした状態とする。
IN THE PACKAGE, ACTUATOR SHOULD BE LOCKED.
7. ソルダータールの平坦度は0.1 mm以下とする。
SOLDERTAIL COPLANARITY IS 0.1MM MAXIMUM.
8. ELV及びRoHS適合品。
ELV AND RoHS COMPLIANT.



適合FPC/FFC推奨寸法
APPLICABLE FPC/FFC
RECOMMENDED DIMENSION
(仕上がり厚さ : 0.3±0.05)
(THICKNESS : 0.3±0.05)



FPC構成推奨仕様
RECOMMENDED STRUCTURE OF FPC



FFC構成推奨仕様
RECOMMENDED STRUCTURE OF FFC

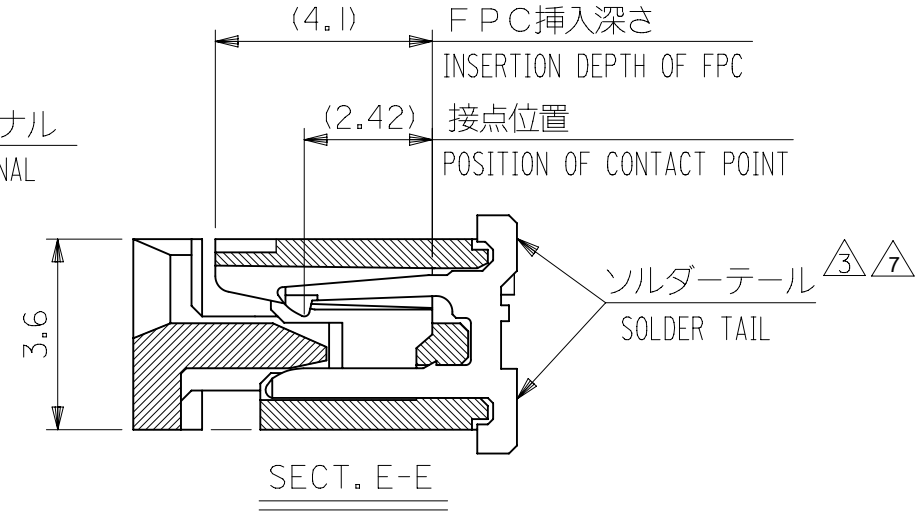
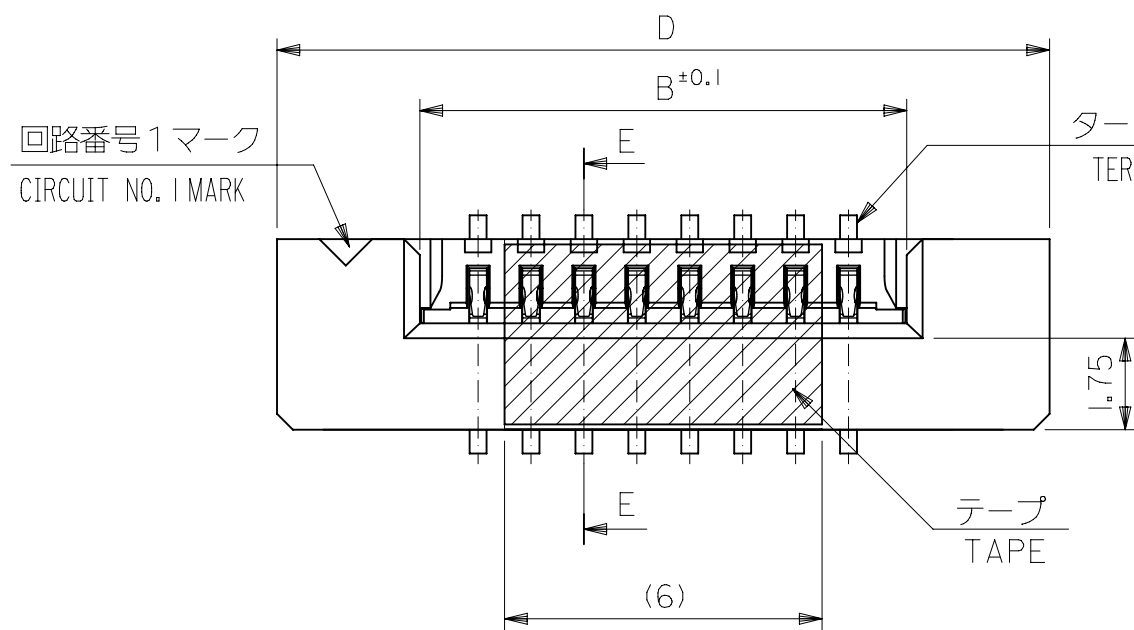
FPC/FFCについて：
抜き方向は、導体側から補強板側を推奨致します。
尚、接着剤の接点部への付着は導通不良の原因になりますので、
染み出しが無い様お願い致します。

ABOUT FPC/FFC:
RECOMMENDED PUNCHER DIRECTION:
FROM CONDUCTOR SIDE TO STIFFNER SIDE
PLEASE PUT APPROPRIATE AMOUNT OF ADHESIVE ON ADHEREND
BECAUSE THERE IS A POSSIBILITY THAT THE EXTRA ADHESIVE
CAUSES THE DEFECT IN ELECTRICAL CONTINUITY.

GENERAL TOLERANCES (UNLESS SPECIFIED)		
10 UNDER	±0.2	
10 OVER 30 UNDER	±0.25	
30 OVER	±0.3	

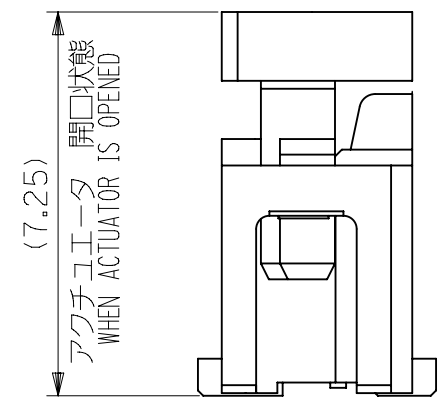
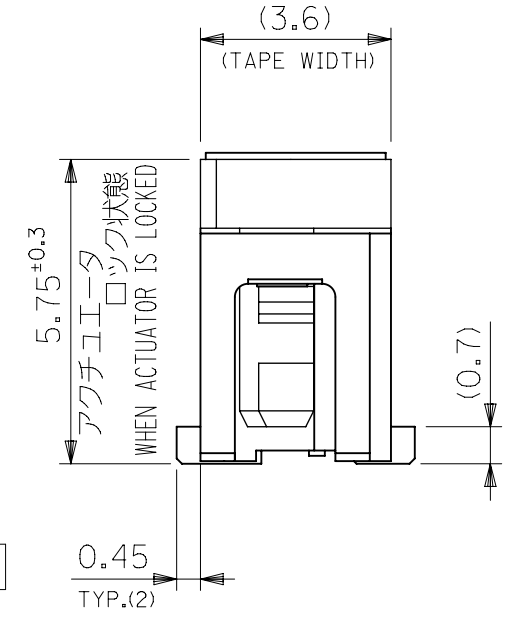
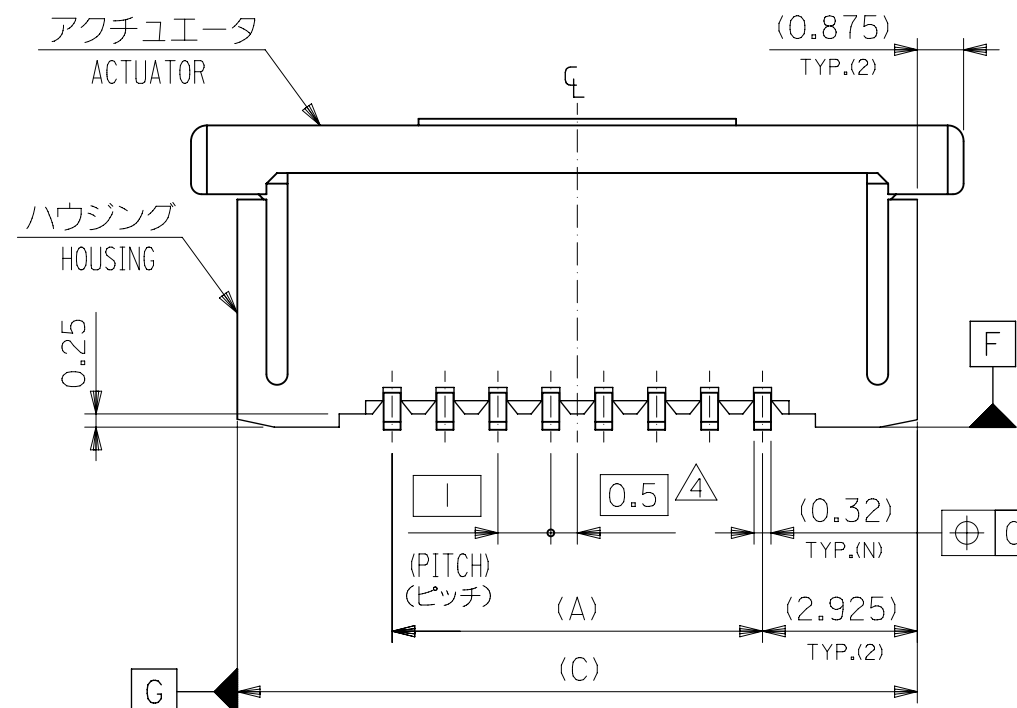
THIS DRAWING CONTAINS INFORMATION THAT IS PROPRIETARY TO MOLEX ELECTRONIC TECHNOLOGIES, LLC AND SHOULD NOT BE USED WITHOUT WRITTEN PERMISSION		CURRENT REV DESC: REVISED		molex	
DIMENSION UNITS	SCALE				
mm	---			1.0 FPC CONN ZIF S/T HOUSING ASSY	
GENERAL TOLERANCES (UNLESS SPECIFIED)		EC NO: 600129		PRODUCT CUSTOMER DRAWING	
ANGULAR TOL	± 3.0 °	DRWN: YCHEN128	2018/04/11	DOCUMENT NUMBER	
4 PLACES	± 0.03	CHK'D: KTAKAHASHI	2018/04/12	526101002	
3 PLACES	± 0.03	APPR: NUKITA	2018/04/13	DOC TYPE	DOC PART
2 PLACES	± 0.05	INITIAL REVISION:		PSD	000
1 PLACE	± 0.1	DRWN: YMIZUNO02	2016/12/16	REVISION	
0 PLACES	± 0.2	APPR: TKUSUHARA01	2016/12/28	B	
DRAFT WHERE APPLICABLE MUST REMAIN WITHIN DIMENSIONS		THIRD ANGLE PROJECTION	DRAWING	SERIES	MATERIAL NUMBER
			A3-SIZE	52610	SEE TABLE
				CUSTOMER	SHEET NUMBER
				GENERAL	2 OF 2

F



E

D



C

B

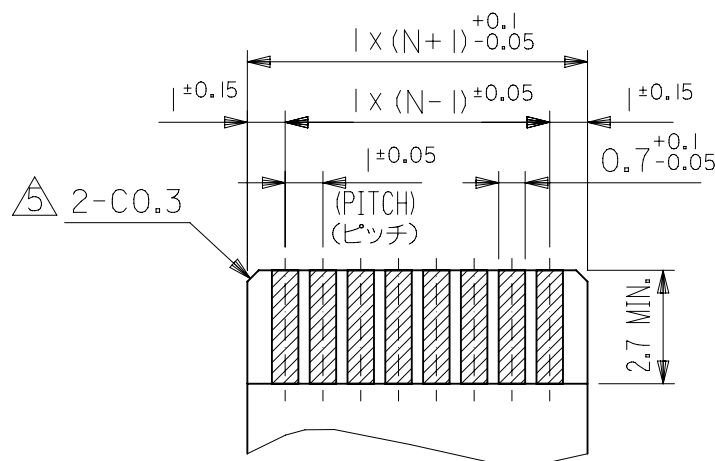
36.6	34.85	31.2	29	52610-30	34	30
34.6	32.85	29.2	27	-28	34	28
32.6	30.85	27.2	25	-26	34	26
31.6	29.85	26.2	24	-25	34	25
30.6	28.85	25.2	23	-24	34	24
26.6	24.85	21.2	19	-20	34	20
25.6	23.85	20.2	18	-19	34	19
22.6	20.85	17.2	15	-16	34	16
20.6	18.85	15.2	13	-14	34	14
16.6	14.85	11.2	9	-10	34	10
15.6	13.85	10.2	8	-09	34	9
14.6	12.85	9.2	7	-08	34	8
13.6	11.85	8.2	6	-07	34	7
D	(C)	B	(A)	EMBOSSED PACKAGE		極数
				ORDER No. オーダー番号		CKT.

CONNECTOR SERIES NO. : 52610-**23

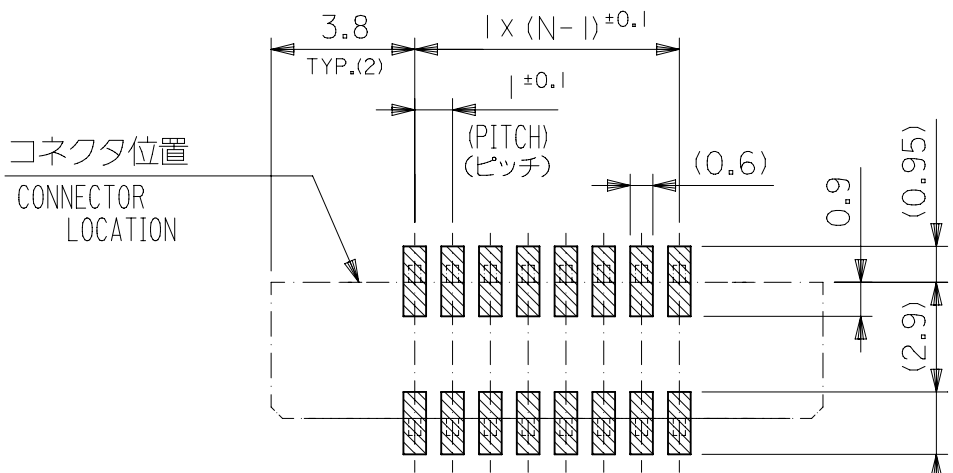
A

THIS DRAWING CONTAINS INFORMATION THAT IS PROPRIETARY TO MOLEX ELECTRONIC TECHNOLOGIES, LLC AND SHOULD NOT BE USED WITHOUT WRITTEN PERMISSION

DIMENSION UNITS	SCALE	CURRENT REV DESC: MIGRATED TO NX	
mm	NTS	molex 1.0 FPC CONN ZIF S/T HOUSING ASSY	
GENERAL TOLERANCES (UNLESS SPECIFIED)			
4 PLACES	±	EC NO: 626177	2019/10/03
3 PLACES	±	DRWN: RPRABHUM	2019/10/30
2 PLACES	±	CHK'D: GGA	2019/10/30
1 PLACE	±	APPR: GGA	2019/10/30
0 PLACES	±	INITIAL REVISION:	
ANGULAR TOL ± 3.0°		DRWN: AISHII	2013/02/20
DRAFT WHERE APPLICABLE MUST REMAIN WITHIN DIMENSIONS		APPR: KMORIKAWA	2013/03/15
THIRD ANGLE PROJECTION		DRAWING	SERIES
A3-SIZE		52610	MATERIAL NUMBER
SEE SHEET 2		CUSTOMER	SHEET NUMBER
GENERAL MARKET		1 OF 2	

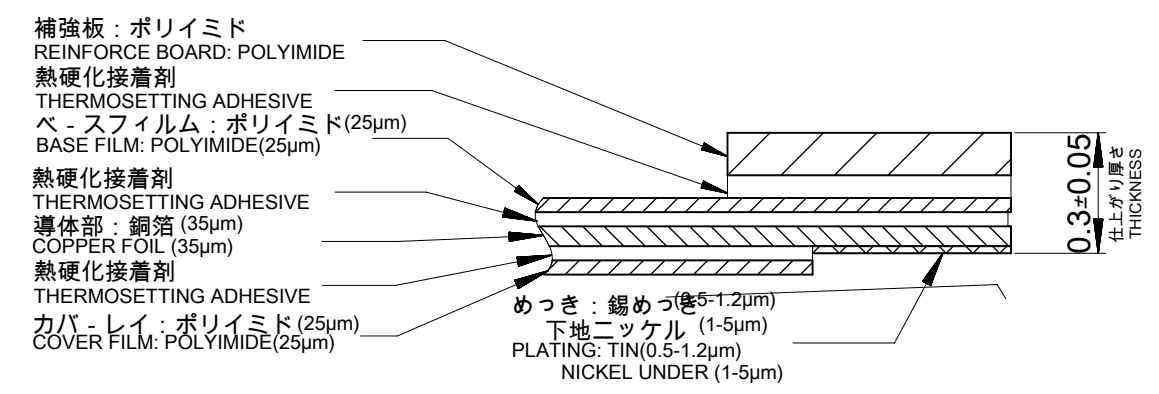


適合FPC推奨寸法
APPLICABLE FPC RECOMMENDED DIM.
仕上がり厚さ(THICKNESS) : 0.3 ± 0.05



推奨基板レイアウト
RECOMMENDED P.C.BOARD
PATTERN DIMENSION.(REF.)

マスク厚 : 120µm
マスク開口率 : 100%
SCREEN THOCKNESS : 120 MICROMETER
SCREEN OPEN RATIO : 100%



FPC構成推奨仕様
STRUCTURE OF FPC

注記 (NOTES) :

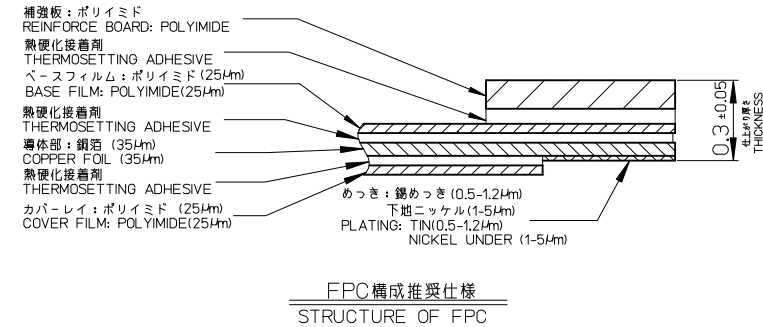
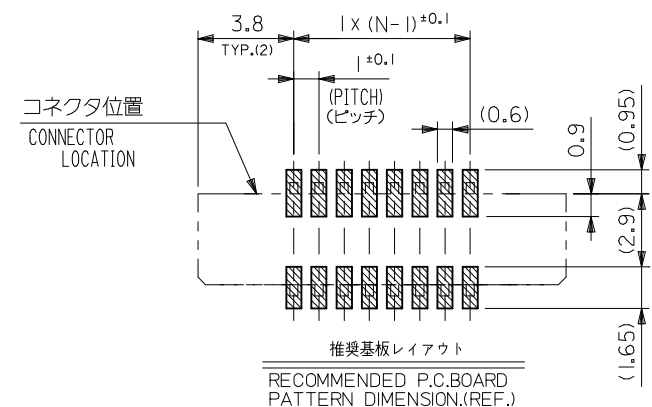
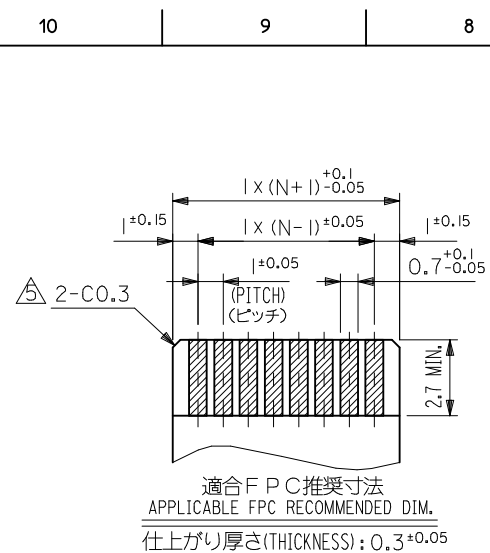
- 材質 MATERIAL
ハウジング : ポリアミド (PA), ナチュラル (白色), ガラス充填, UL94V-0
HOUSING : POLYAMIDE, NATURAL(WHITE), GLASS FILLED, UL94V-0
アクチュエータ : ポリフェニレンサルファイド (PPS), ナチュラル (茶色), ガラス充填, UL94V-0
ACTUATOR : POLYPHENYLENE SULFID, NATURAL(BROWN), GLASS FILLED, UL94V-0
ターミナル : リン青銅 (t=0.32)
TERMINAL : PHOSPHOR BRONZE(t=0.32)
- めっき仕様 PLATING
ターミナル TERMINAL
錫銀ビスマスめっき (1.0µm以上)
TIN SILVER BISMUTH PLATING (1.0 MICROMETER MINIMUM)
下地 : ニッケルめっき (1.0µm以上)
UNDER PLATING : NICKEL PLATING (1.0 MICROMETER MINIMUM)
- ソルダータール半田付け面のズレ量は、基準面Fに対し上方向0.05MAX., 下方向0.15MAX.とする。
MISALIGNMENT OF SOLDER TAILS FROM F UPPER DIRECTION : 0.05 MAX.
LOWER DIRECTION : 0.15 MAX.
- 偶数極に適用
APPLY FOR EVEN CIRCUIT.
- R0.3はFPCの導体部にかからないこと。
R0.3 MUST NOT BE OVERLAPED TO PATTERN OF FPC.
- エンボステープ梱包時は、アクチュエータがロックした状態とする。
IN THE PACKAGE, ACTUATOR OF PART NO.52610-**23 SHOULD BE LOCKED.
- ソルダータールの平坦度は0.1mm以下とする。
SOLDERTAIL COPLANARITY IS 0.1MM MAXIMUM.

FPCについて ABOUT FPC

打ち抜き方向は導体側から補強板側を推奨します。
導体部については軟箔銅35µmまたは50µmを推奨します。
補強フィルム材質はポリイミドを推奨します。ベースフィルムは25µmを推奨します。
接着剤は熱硬化接着剤を推奨します。
尚、接着剤の接点部への付着は導通不良の原因になりますので、染み出しが無い様、お願い致します。
RECOMMENDED PUNCHING DIRECTION: FROM CONDUCTOR SIDE TO STIFFENER SIDE
RECOMMENDED CONDUCTOR SPEC: SOFT COPPER FOIL
RECOMMENDED CONDUCTOR THICKNESS: 35 MICROMETER OR 50 MICROMETER
RECOMMENDED STIFFENER MATERIAL: POLYIMIDE
RECOMMENDED BASE FILM THICKNESS: 25 MICROMETER
RECOMMENDED ADHESIVE: THERMOSETTING ADHESIVE
NOTE: PLEASE PUT APPROPRIATE AMOUNT OF ADHESIVE ON ADHEREND BECAUSE THERE IS A POSSIBILITY THAT THE EXTRA ADHESIVE CAUSES THE DEFECT IN ELECTRICAL CONTINUITY.

THIS DRAWING CONTAINS INFORMATION THAT IS PROPRIETARY TO MOLEX ELECTRONIC TECHNOLOGIES, LLC AND SHOULD NOT BE USED WITHOUT WRITTEN PERMISSION

DIMENSION UNITS	SCALE	CURRENT REV DESC: MIGRATED TO NX	molex		
mm	NTS				
GENERAL TOLERANCES (UNLESS SPECIFIED)			1.0 FPC CONN ZIF S/T HOUSING ASSY		
			PRODUCT CUSTOMER DRAWING		
4 PLACES ±			EC NO: 626177	DOCUMENT NUMBER	DOC TYPE
3 PLACES ±			DRWN: RPRABHUM 2019/10/03	SD-52610-050	PSD
2 PLACES ±			CHK'D: GGA 2019/10/30		
1 PLACE ±			APPR: GGA 2019/10/30	001	REVISION
0 PLACES ±			INITIAL REVISION:	B1	
ANGULAR TOL ± 3.0°			DRWN: AISHII 2013/02/20	SHEET NUMBER	
DRAFT WHERE APPLICABLE MUST REMAIN WITHIN DIMENSIONS			APPR: KMORIKAWA 2013/03/15	2 OF 2	
THIRD ANGLE PROJECTION			DRAWING	SERIES	MATERIAL NUMBER
A3-SIZE			52610	SEE SHEET 2	CUSTOMER
			GENERAL MARKET		



マスク厚 : 120 μm
 マスク開口率 : 100%
 SCREEN THOCKNESS : 120 MICROMETER
 SCREEN OPEN RATIO : 100%

- 注記 (NOTES):
- 材質 MATERIAL
 - ハウジング: ポリアミド (PA), ナチュラル (白色), ガラス充填, UL94V-0
 - HOUSING: POLYAMIDE, NATURAL(WHITE), GLASS FILLED, UL94V-0
 - アクチュエータ: ポリフェニレンサルファイド (PPS), ナチュラル (茶色), ガラス充填, UL94V-0
 - ACTUATOR: POLYPHENYLENE SULFID, NATURAL(BROWN), GLASS FILLED, UL94V-0
 - ターミナル: リン青銅 (t=0.32)
 - TERMINAL: PHOSPHOR BRONZE(t=0.32)
 - めっき仕様 PLATING
 - ターミナル TERMINAL
 - 錫銀ヒスマスめっき (1.0 μm以上)
 - TIN SILVER BISMUTH PLATING (1.0 MICROMETER MINIMUM)
 - 下地: ニッケルめっき (1.0 μm以上)
 - UNDER PLATING: NICKEL PLATING (1.0 MICROMETER MINIMUM)

FPCについて ABOUT FPC

打ち抜き方向は導体側から補強板側を推奨します。
 導体部については軟箔銅35 μmまたは50 μmを推奨します。
 補強フィルム材質はポリイミドを推奨します。ベースフィルムは25 μmを推奨します。
 接着剤は熱硬化接着剤を推奨します。
 尚、接着剤の接点部への付着は導通不良の原因になりますので、染み出しが無い様、お願い致します。
 RECOMMENDED PUNCHING DIRECTION: FROM CONDUCTOR SIDE TO STIFFENER SIDE
 RECOMMENDED CONDUCTOR SPEC: SOFT COPPER FOIL
 RECOMMENDED CONDUCTOR THICKNESS: 35 MICROMETER OR 50 MICROMETER
 RECOMMENDED STIFFENER MATERIAL: POLYIMIDE
 RECOMMENDED BASE FILM THICKNESS: 25 MICROMETER
 RECOMMENDED ADHESIVE: THERMOSETTING ADHESIVE
 NOTE: PLEASE PUT APPROPRIATE AMOUNT OF ADHESIVE ON ADHEREND BECAUSE THERE IS A POSSIBILITY THAT THE EXTRA ADHESIVE CAUSES THE DEFECT IN ELECTRICAL CONTINUITY.

3. ソルダータール半田付け面のズレ量は、基準面 [F] に対し上方向0.05MAX., 下方向0.15MAX.とする。
 MISALIGNMENT OF SOLDER TAILS FROM [F] UPPER DIRECTION : 0.05 MAX. LOWER DIRECTION : 0.15 MAX.
4. 偶数極に適用
 APPLY FOR EVEN CIRCUIT.
5. R0.3はFPCの導体部にかからないこと。
 R0.3 MUST NOT BE OVERLAPED TO PATTERN OF FPC.
6. エンボステップ梱包時は、アクチュエータがロックした状態とする。
 IN THE PACKAGE, ACTUATOR OF PART NO.52610-**-23 SHOULD BE LOCKED.
7. ソルダータールの平坦度は0.1mm以下とする。
 SOLDER TAIL COPLANARITY IS 0.1MM MAXIMUM.
8. ELV及びRoHS適合品
 ELV AND RoHS COMPLIANT

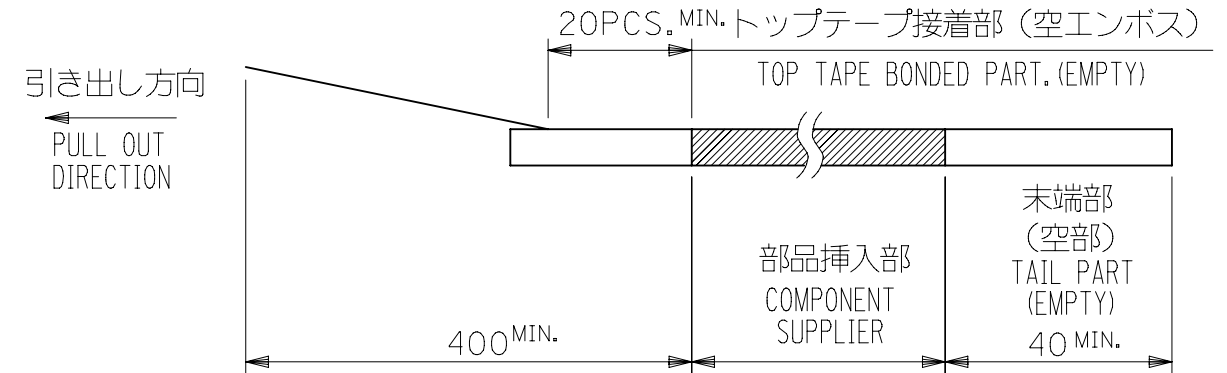
SEE SHEET 1 OF 2 EC NO: J2014-0096 DRW: AISHII 2013/07/18 CHK: DK TAKAHASHI 2013/07/18 APPR: YNOGAWA 2013/08/19	GENERAL TOLERANCES (UNLESS SPECIFIED)		DIMENSION STYLE MM ONLY		SCALE ---	DESIGN UNITS METRIC	THIRD ANGLE PROJECTION
	10 UNDER	± 0.2	DRAWN BY AISHII	DATE 2013/02/20	TITLE 1.0 FPC CONN ZIF S/T HOUSING ASSY		
	10 OVER 30 UNDER	± 0.25	CHECKED BY TAKAHASHI	DATE 2013/02/20			
	30 OVER	± 0.3	APPROVED BY KMORIKAWA	DATE 2013/03/15			
ANGULAR	± 3 °	MATERIAL NO.		DOCUMENT NO.	SHEET NO.		
DRAFT WHERE APPLICABLE MUST REMAIN WITHIN DIMENSIONS		SEE CHART		SD-52610-050		2 OF 2	
SIZE A3 THIS DRAWING CONTAINS INFORMATION THAT IS PROPRIETARY TO MOLEX INCORPORATED AND SHOULD NOT BE USED WITHOUT WRITTEN PERMISSION							

NOTES

1. 52610-**23のアクチュエータはハウジング内に押し下げた状態とする。
 詳細寸法については図面SD-52610-050をご参照ください。
 ACTUATOR OF PART NO. 52610-**23 SHOULD BE LOCKED.
 RE DETAILED DIMENSIONS, SEE SD-52610-050

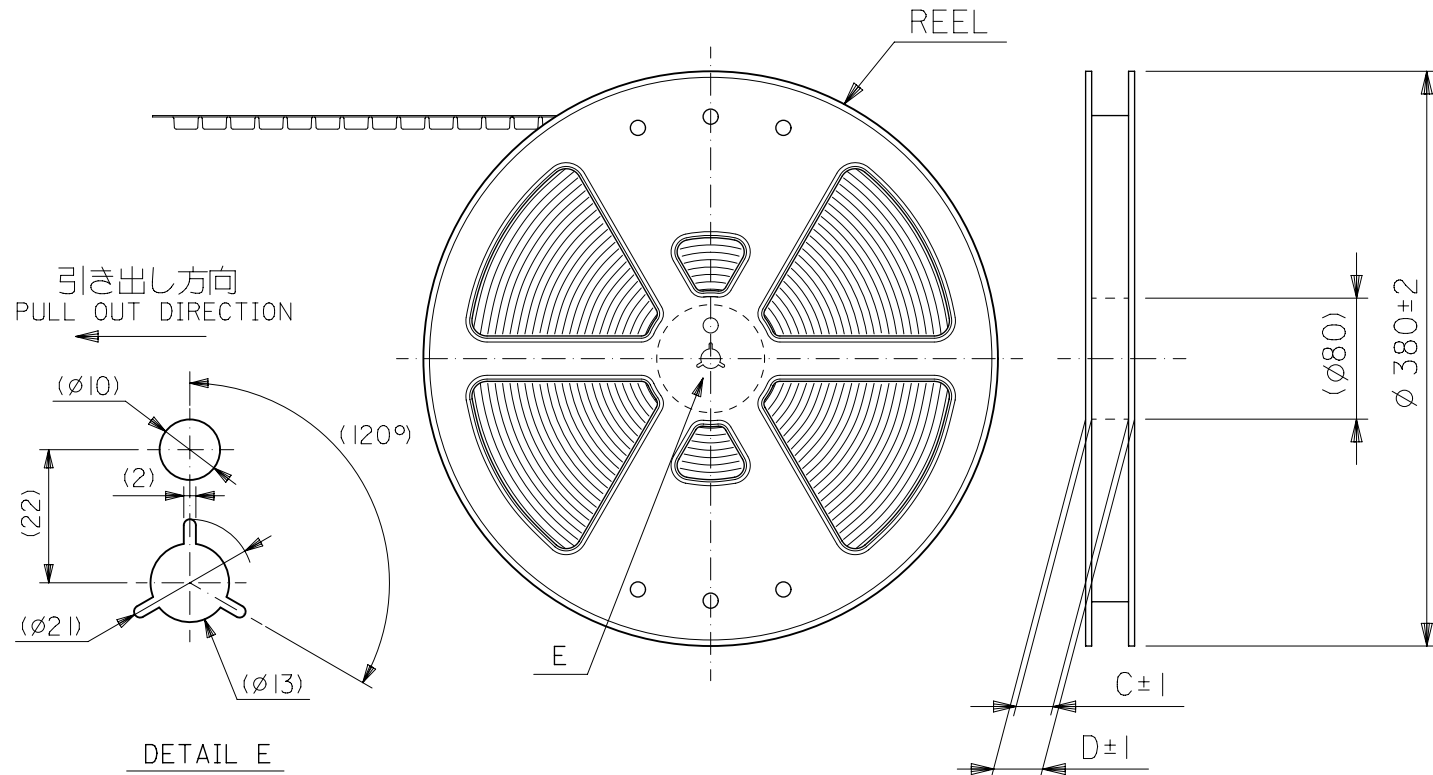
2. 梱包数量：1000個 / リール
 NUMBER OF CONNECTORS : 1000PCS/REEL

3. リードテープ長さ
 LEAD TAPE LENGTH



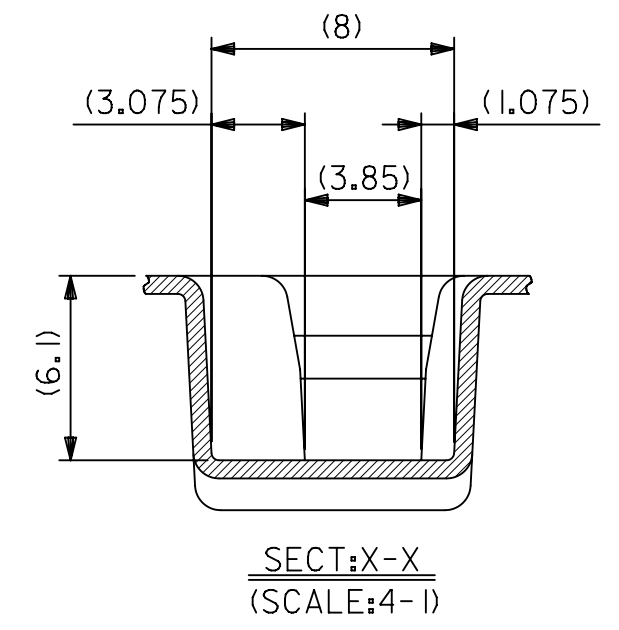
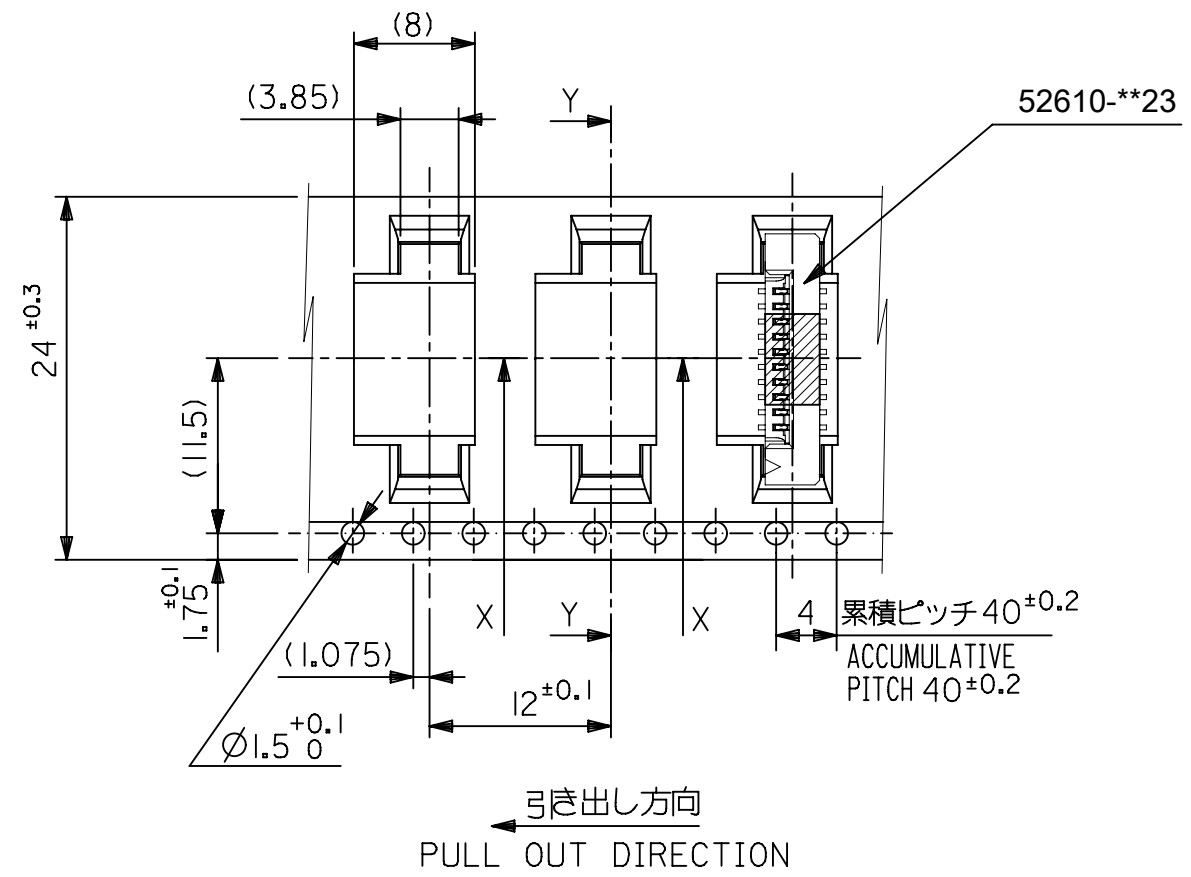
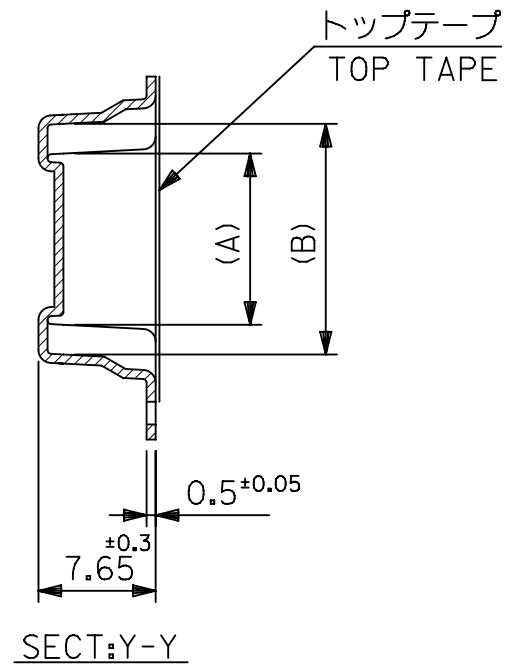
4. カバーテープの剥離強度については、IEC60286-3に準拠
 COVER TAPE PEEL FORCE IS DEFINED BY IEC60286-3.

5. 材料(MATERIAL)
 キャリアテープ (CARRIER TAPE) : ポリプロピレン (POLYPROPYLENE)
 トップテープ (TOP TAPE) : PET, PE, PEF
 リール(REEL) : ポリスチレン(PS)<リサイクル材を含む>
 POLYSTYREN(PS) <RECYCLE MATERIAL CONTAINED>



THIS DRAWING CONTAINS INFORMATION THAT IS PROPRIETARY TO MOLEX ELECTRONIC TECHNOLOGIES, LLC AND SHOULD NOT BE USED WITHOUT WRITTEN PERMISSION		CURRENT REV DESC: MIGRATED TO NX		molex	
DIMENSION UNITS: mm		SCALE: NTS			
GENERAL TOLERANCES (UNLESS SPECIFIED)		EC NO: 626177		EMBOSS TAPE PACKAGED FOR 1.0 FPC CONN ZIF S/T HOUSING ASSY	
4 PLACES ±		DRWN: RPRABHUM 2019/10/03		PRODUCT CUSTOMER DRAWING	
3 PLACES ±		CHK'D: GGA 2019/10/30		DOCUMENT NUMBER: SD-52610-051	
2 PLACES ±		APPR: GGA 2019/10/30		DOC TYPE: PSD	
1 PLACE ±		INITIAL REVISION:		DOC PART: 001	
0 PLACES ±		DRWN: AISHII 2013/02/20		REVISION: A	
ANGULAR TOL ± 3.0°		APPR: KMORIKAWA 2013/03/15		SHEET NUMBER: 1 OF 5	
DRAFT WHERE APPLICABLE MUST REMAIN WITHIN DIMENSIONS		THIRD ANGLE PROJECTION		MATERIAL NUMBER: SEE CHART	
DRAWING: A3-SIZE		SERIES: 52610		CUSTOMER: GENERAL MARKET	

GENERAL TOLERANCES (UNLESS SPECIFIED)	
10 ^{UNDER}	±0.2
10 ^{OVER} 30 ^{UNDER}	±0.25
30 ^{OVER}	±0.3



24	29.4	25.4	15.25	11.32	52610-1034	10	
			14.25	10.32	52610-0934	9	
			13.25	9.32	52610-0834	8	
			12.25	8.32	52610-0734	7	
キャリアテープ幅 CARRIER TAPE WIDTH		D	C	(B)	(A)	MATERIAL. NO.	極数 CKT.

THIS DRAWING CONTAINS INFORMATION THAT IS PROPRIETARY TO MOLEX ELECTRONIC TECHNOLOGIES, LLC AND SHOULD NOT BE USED WITHOUT WRITTEN PERMISSION

SCALE: mm NTS

GENERAL TOLERANCES (UNLESS SPECIFIED)

PLACES	TOLERANCE
4 PLACES	± 0.2
3 PLACES	± 0.25
2 PLACES	± 0.3
1 PLACE	± 0.3
0 PLACES	± 0.3

ANGULAR TOL ± 3.0°

DRAFT WHERE APPLICABLE MUST REMAIN WITHIN DIMENSIONS

THIRD ANGLE PROJECTION

CURRENT REV DESC: MIGRATED TO NX

EC NO: 626177
DRWN: RPRABHUM 2019/10/03
CHK'D: GGA 2019/10/30
APPR: GGA 2019/10/30

INITIAL REVISION:
DRWN: AISHII 2013/02/20
APPR: KMORIKAWA 2013/03/15

molex

EMBOSS TAPE PACKAGED FOR 1.0 FPC CONN ZIF S/T HOUSING ASSY

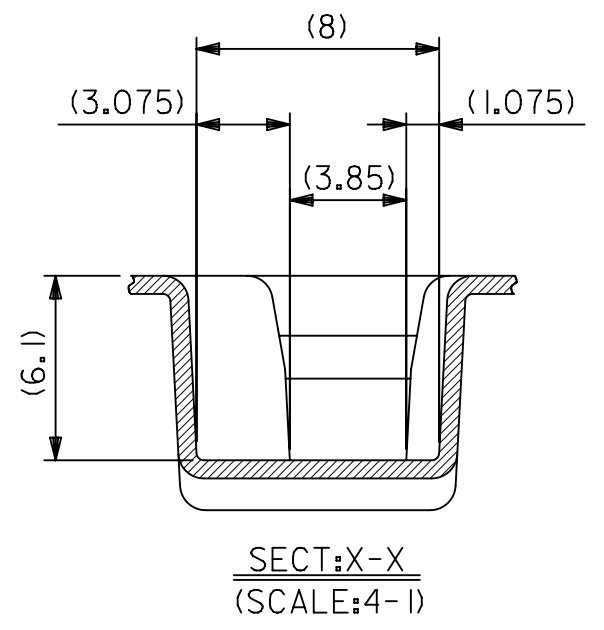
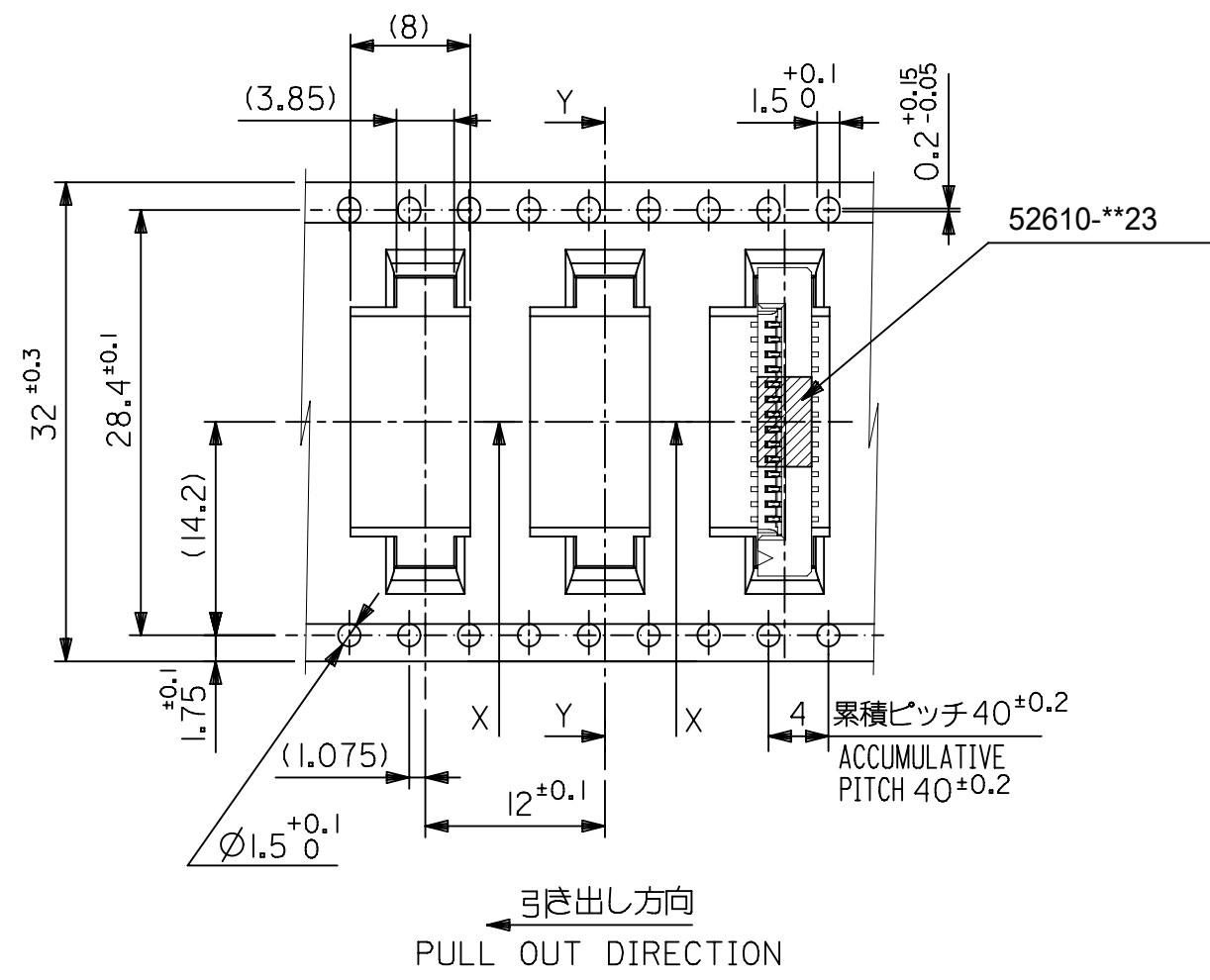
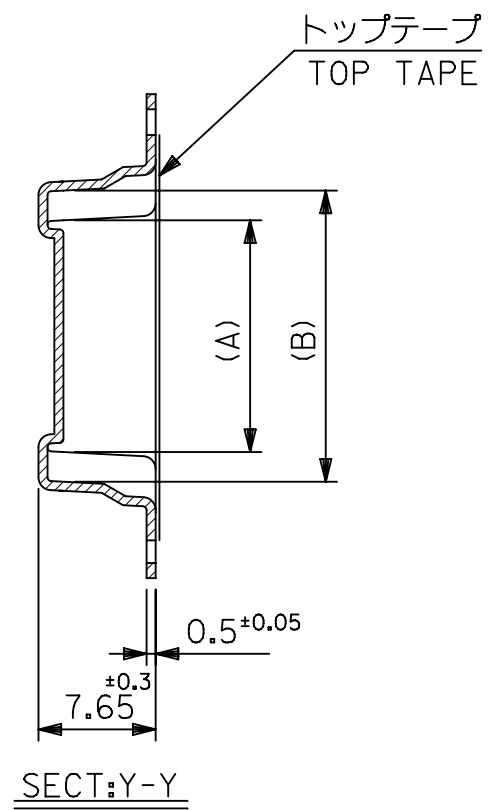
PRODUCT CUSTOMER DRAWING

DOCUMENT NUMBER: SD-52610-051
DOC TYPE: PSD
DOC PART: 001
REVISION: A

MATERIAL NUMBER: SEE CHART
CUSTOMER: GENERAL MARKET
SHEET NUMBER: 2 OF 5

GENERAL TOLERANCES (UNLESS SPECIFIED)

10 ^{UNDER}	±0.2
10 ^{OVER} 30 ^{UNDER}	±0.25
30 ^{OVER}	±0.3



32	37.4	33.4	19.25	15.32	52610-1434	14
キャリアテープ幅 CARRIER TAPE WIDTH	D	C	(B)	(A)	MATERIAL. NO.	極数 CKT.

THIS DRAWING CONTAINS INFORMATION THAT IS PROPRIETARY TO MOLEX ELECTRONIC TECHNOLOGIES, LLC AND SHOULD NOT BE USED WITHOUT WRITTEN PERMISSION

SCALE: mm NTS

GENERAL TOLERANCES (UNLESS SPECIFIED)

PLACES	TOLERANCE
4 PLACES	±
3 PLACES	±
2 PLACES	±
1 PLACE	±
0 PLACES	±

ANGULAR TOL ± 3.0°

DRAFT WHERE APPLICABLE MUST REMAIN WITHIN DIMENSIONS

THIRD ANGLE PROJECTION

DRAWING: A3-SIZE

SERIES: 52610

MATERIAL NUMBER: SEE CHART

CUSTOMER: GENERAL MARKET

SHEET NUMBER: 3 OF 5

EC NO: 626177
DRWN: RPRABHUM 2019/10/03
CHK'D: GGA 2019/10/30
APPR: GGA 2019/10/30

INITIAL REVISION:
DRWN: AISHII 2013/02/20
APPR: KMORIKAWA 2013/03/15

DOCUMENT NUMBER: SD-52610-051
DOC TYPE: PSD
DOC PART: 001
REVISION: A

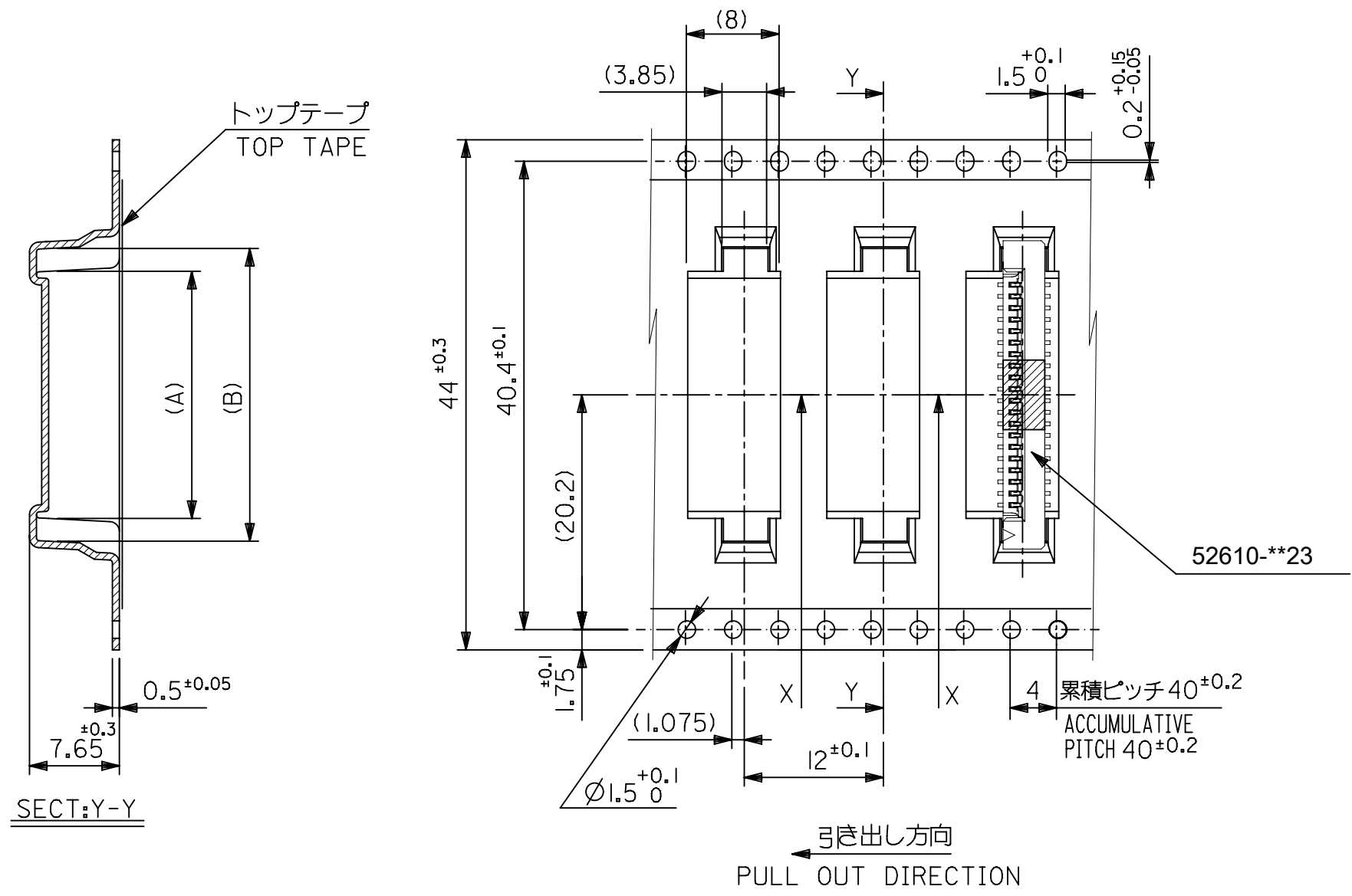
molex

EMBOSS TAPE PACKAGED FOR
1.0 FPC CONN ZIF S/T HOUSING ASSY

PRODUCT CUSTOMER DRAWING

GENERAL TOLERANCES (UNLESS SPECIFIED)

10 ^{UNDER}	±0.2
10 ^{OVER} 30 ^{UNDER}	±0.25
30 ^{OVER}	±0.3



44	49.4	45.4	31.25	27.32	52610-2634	26	
			30.25	26.32	52610-2534	25	
			29.25	25.32	52610-2434	24	
			25.25	21.32	52610-2034	20	
			24.25	20.32	52610-1934	19	
			21.25	17.32	52610-1634	16	
キャリアテープ幅 CARRIER TAPE WIDTH		D	C	(B)	(A)	MATERIAL. NO.	極数 CKT.

THIS DRAWING CONTAINS INFORMATION THAT IS PROPRIETARY TO MOLEX ELECTRONIC TECHNOLOGIES, LLC AND SHOULD NOT BE USED WITHOUT WRITTEN PERMISSION

SCALE: mm NTS

GENERAL TOLERANCES (UNLESS SPECIFIED)

PLACES	TOLERANCE
4 PLACES	± 0.2
3 PLACES	± 0.25
2 PLACES	± 0.3
1 PLACE	± 0.3
0 PLACES	± 0.3

ANGULAR TOL $\pm 3.0^\circ$

DRAFT WHERE APPLICABLE MUST REMAIN WITHIN DIMENSIONS

THIRD ANGLE PROJECTION

CURRENT REV DESC: MIGRATED TO NX

EC NO: 626177
DRWN: RPRABHUM 2019/10/03
CHK'D: GGA 2019/10/30
APPR: GGA 2019/10/30

INITIAL REVISION:
DRWN: AISHII 2013/02/20
APPR: KMORIKAWA 2013/03/15

molex

EMBOSS TAPE PACKAGED FOR 1.0 FPC CONN ZIF S/T HOUSING ASSY

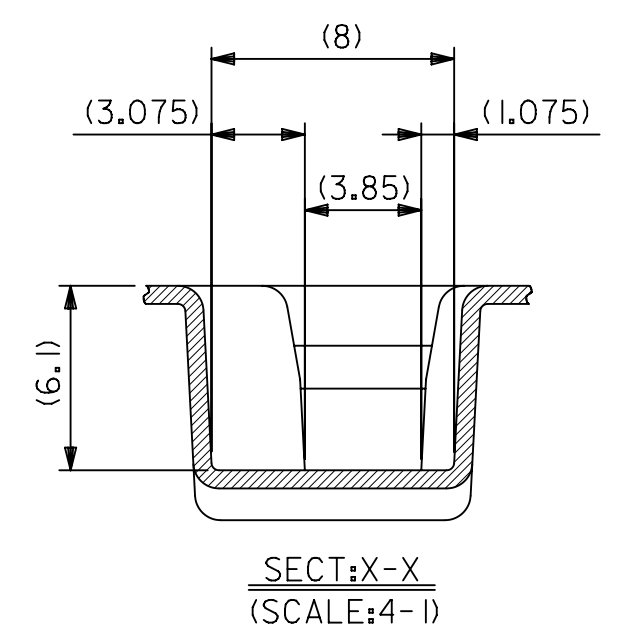
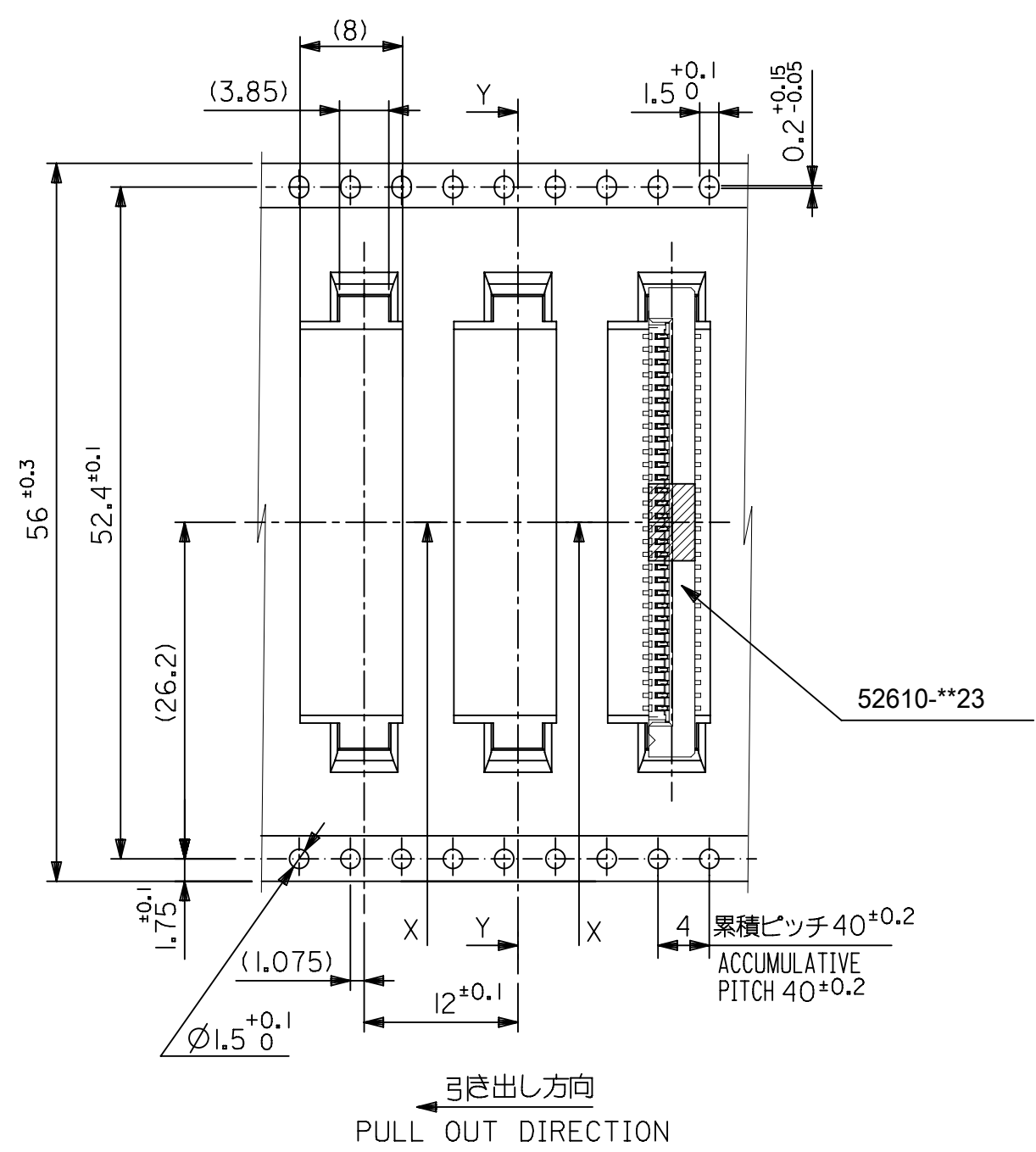
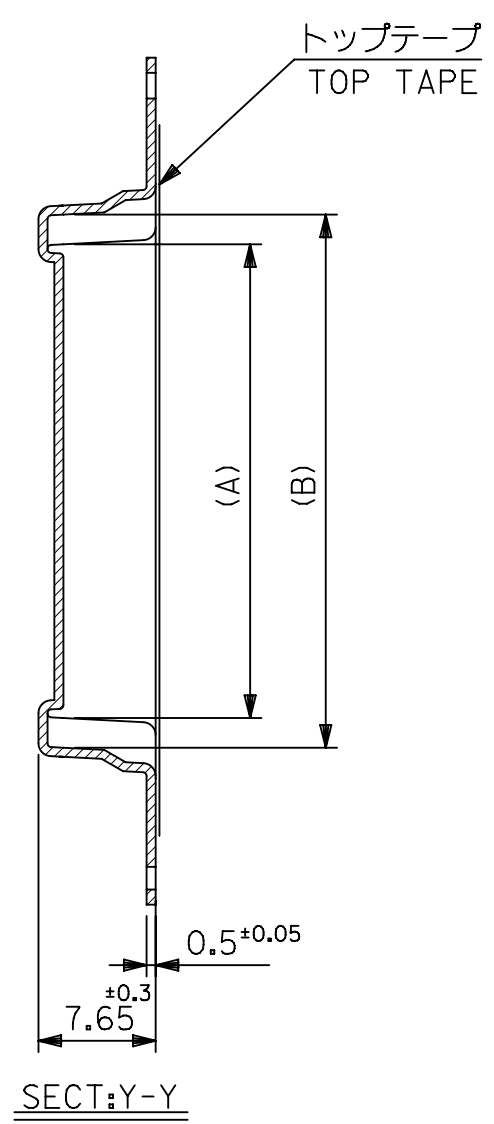
PRODUCT CUSTOMER DRAWING

DOCUMENT NUMBER: SD-52610-051
DOC TYPE: PSD
DOC PART: 001
REVISION: A

MATERIAL NUMBER: SEE CHART
CUSTOMER: GENERAL MARKET
SHEET NUMBER: 4 OF 5

GENERAL TOLERANCES (UNLESS SPECIFIED)

10 ^{UNDER}	± 0.2
10 ^{OVER} 30 ^{UNDER}	± 0.25
30 ^{OVER}	± 0.3



56	61.4	57.4	35.25	31.32	52610-3034	30
			33.25	29.32	52610-2834	28
キャリアテープ幅 CARRIER TAPE WIDTH	D	C	(B)	(A)	MATERIAL. NO.	極数 CKT.

THIS DRAWING CONTAINS INFORMATION THAT IS PROPRIETARY TO MOLEX ELECTRONIC TECHNOLOGIES, LLC AND SHOULD NOT BE USED WITHOUT WRITTEN PERMISSION

SCALE: NTS

CURRENT REV DESC: MIGRATED TO NX

molex

EMBOSS TAPE PACKAGED FOR
1.0 FPC CONN ZIF S/T HOUSING ASSY

PRODUCT CUSTOMER DRAWING

DOCUMENT NUMBER: SD-52610-051 | DOC TYPE: PSD | DOC PART: 001 | REVISION: A

EC NO: 626177 | DRWN: RPRABHUM | 2019/10/03
CHK'D: GGA | 2019/10/30
APPR: GGA | 2019/10/30

INITIAL REVISION:
DRWN: AISHII | 2013/02/20
APPR: KMORIKAWA | 2013/03/15

DIMENSION UNITS: mm | INCH

GENERAL TOLERANCES (UNLESS SPECIFIED):
4 PLACES: ± | INCH: ±
3 PLACES: ± | INCH: ±
2 PLACES: ± | INCH: ±
1 PLACE: ± | INCH: ±
0 PLACES: ± | INCH: ±

ANGULAR TOL: ± 3.0°

DRAFT WHERE APPLICABLE MUST REMAIN WITHIN DIMENSIONS

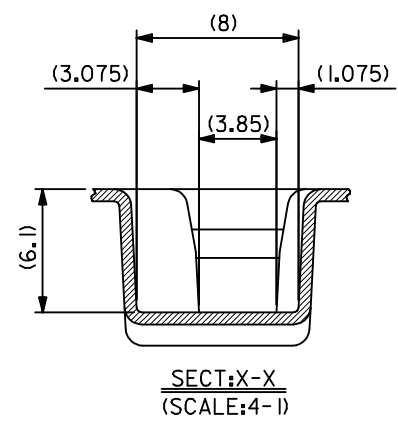
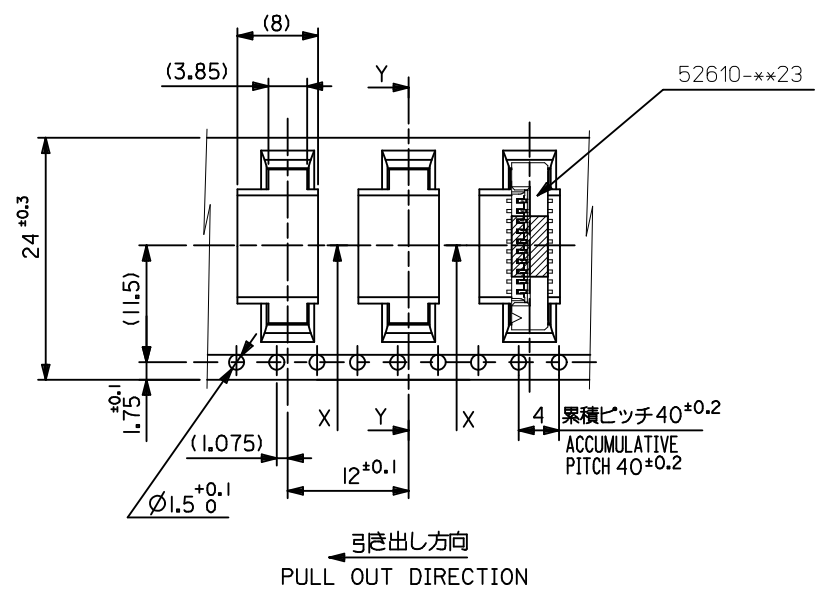
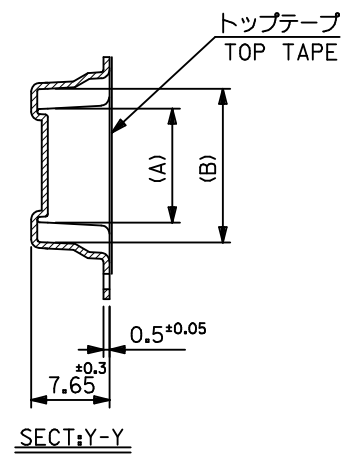
THIRD ANGLE PROJECTION

DRAWING: A3-SIZE | SERIES: 52610 | MATERIAL NUMBER: SEE CHART | CUSTOMER: GENERAL MARKET | SHEET NUMBER: 5 OF 5

GENERAL TOLERANCES (UNLESS SPECIFIED)

10 ^{UNDER}	±0.2
10 ^{OVER} 30 ^{UNDER}	±0.25
30 ^{OVER}	±0.3

10 9 8 7 6 5 4 3 2 1



24	29.4	25.4	15.25	11.32	52610-1034	10
			14.25	10.32	52610-0934	9
			13.25	9.32	52610-0834	8
			12.25	8.32	52610-0734	7
			11.25	7.32	52610-0634	6
キャリアテープ幅 CARRIER TAPE WIDTH	D	C	(B)	(A)	MATERIAL. NO.	種数 CKT.

SEE SHEET 1 OF 5 EC NO: J2013-1003 DRW: AISHII 2013/02/20 CHKD: KTAKAHASHI 2013/02/20 APPR: KMORIKAWA 2013/03/15	GENERAL TOLERANCES (UNLESS SPECIFIED)		DIMENSION STYLE MM ONLY		SCALE ---	DESIGN UNITS METRIC	THIRD ANGLE PROJECTION
	10 UNDER	±0.3	DRAWN BY AISHII	DATE 2013/02/20	TITLE EMBOSS TAPE PACKAGED FOR 1.0 FPC CONN ZIF S/T HOUSING ASSY molex		
	10 OVER 30 UNDER	±0.25	CHECKED BY KTAKAHASHI	DATE 2013/02/20			
	30 OVER	±0.2	APPROVED BY KMORIKAWA	DATE 2013/03/15			
	ANGULAR	±3 °	MATERIAL NO.		DOCUMENT NO. SD-52610-051	SHEET NO. 2 OF 5	
DRAFT WHERE APPLICABLE MUST REMAIN WITHIN DIMENSIONS		SEE CHART		THIS DRAWING CONTAINS INFORMATION THAT IS PROPRIETARY TO MOLEX INCORPORATED AND SHOULD NOT BE USED WITHOUT WRITTEN PERMISSION			

9 8 7 6 5 4 3 2 1

10 9 8 7 6 5 4 3 2 1

F

E

D

C

B

A

F

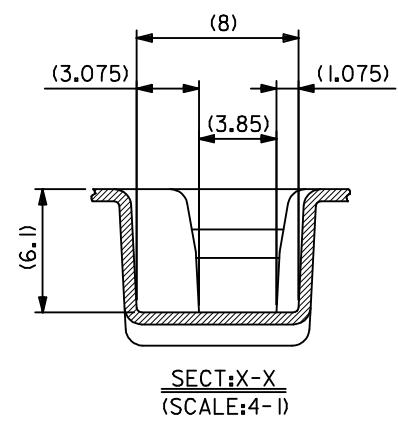
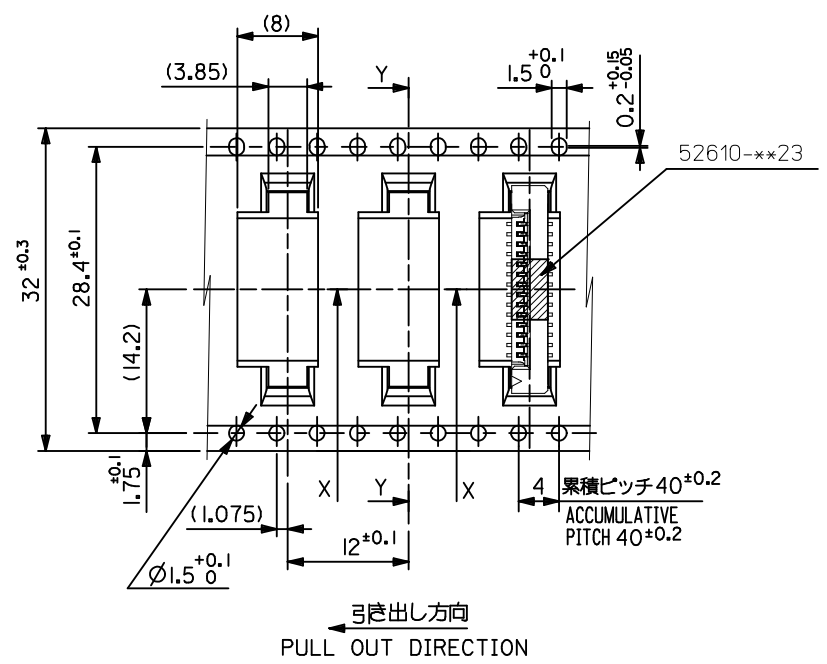
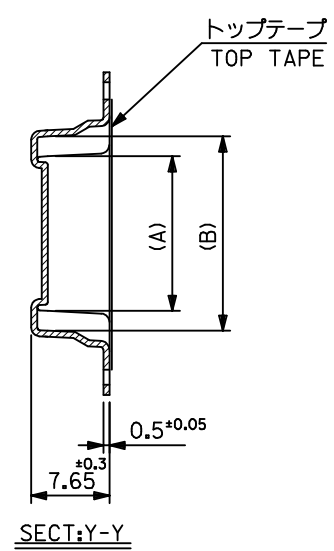
E

D

C

B

A



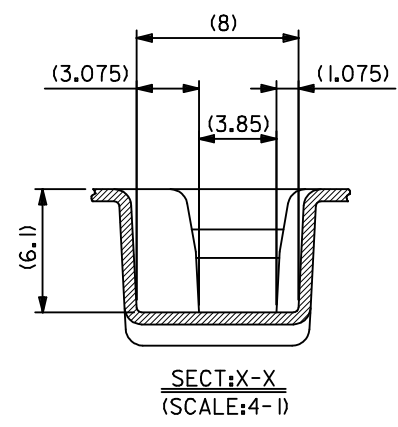
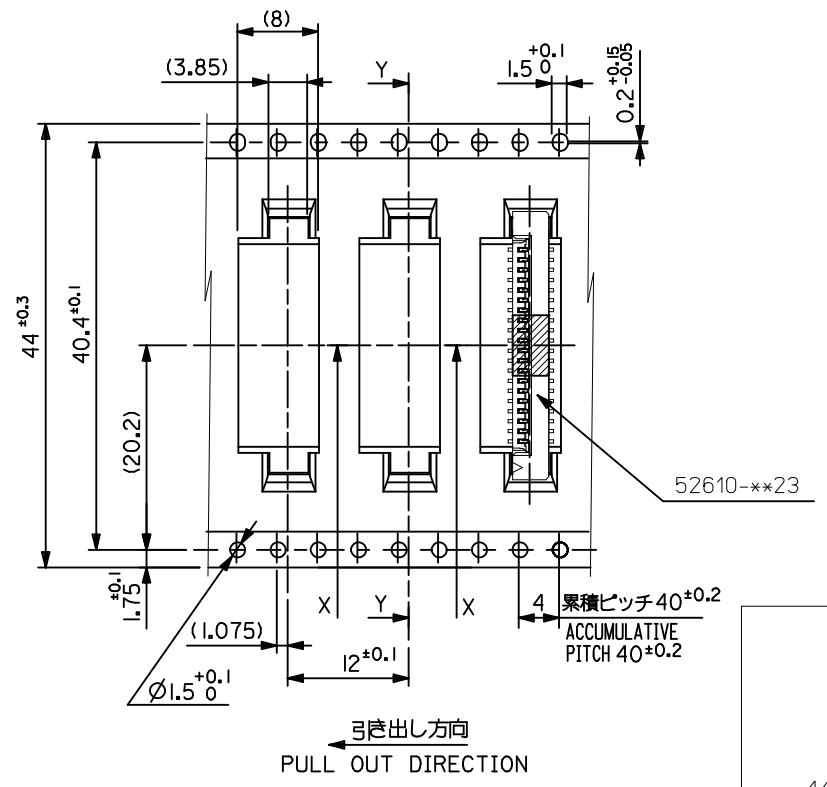
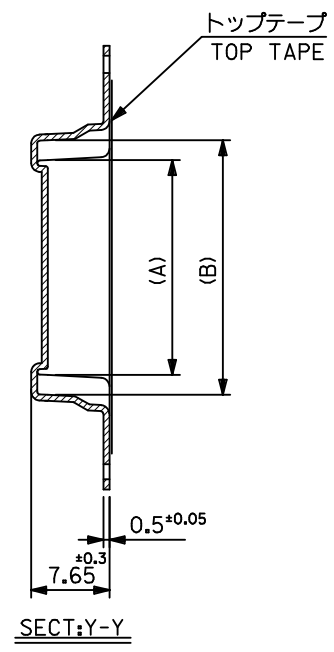
32	37.4	33.4	20.25	16.32	52610-1534	15
			19.25	15.32	52610-1434	14
			18.25	14.32	52610-1334	13
			17.25	13.32	52610-1234	12
キャリアテープ幅 CARRIER TAPE WIDTH	D	C	(B)	(A)	MATERIAL. NO.	種数 CKT.

SEE SHEET 1 OF 5 EC NO: J2013-1003 DRAWN: AISHII 2013/02/20 CHKD: KTAKAHASHI 2013/02/20 APPR: KMORIKAWA 2013/03/15	GENERAL TOLERANCES (UNLESS SPECIFIED)	DIMENSION STYLE MM ONLY	SCALE ---	DESIGN UNITS METRIC	THIRD ANGLE PROJECTION
	10 UNDER ±0.3	DRAWN BY AISHII	DATE 2013/02/20	TITLE EMBOSS TAPE PACKAGED FOR 1.0 FPC CONN ZIF S/T HOUSING ASSY	
	10 OVER 30 UNDER ±0.25	CHECKED BY KTAKAHASHI	DATE 2013/02/20	molex	
	30 OVER ±0.2	APPROVED BY KMORIKAWA	DATE 2013/03/15		
	ANGULAR ±3 °	MATERIAL NO.	SEE CHART	DOCUMENT NO. SD-52610-051	SHEET NO. 3 OF 5
DRAFT WHERE APPLICABLE MUST REMAIN WITHIN DIMENSIONS	SIZE A3	THIS DRAWING CONTAINS INFORMATION THAT IS PROPRIETARY TO MOLEX INCORPORATED AND SHOULD NOT BE USED WITHOUT WRITTEN PERMISSION			

9 8 7 6 5 4 3 2 1

10 9 8 7 6 5 4 3 2 1

F
E
D
C
B
A

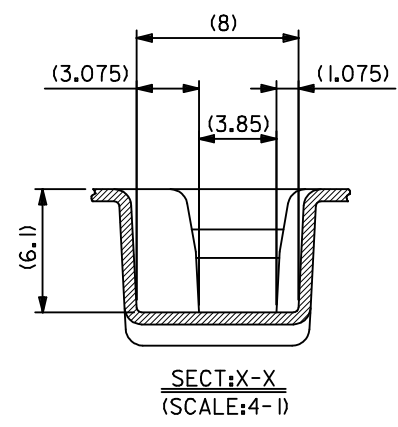
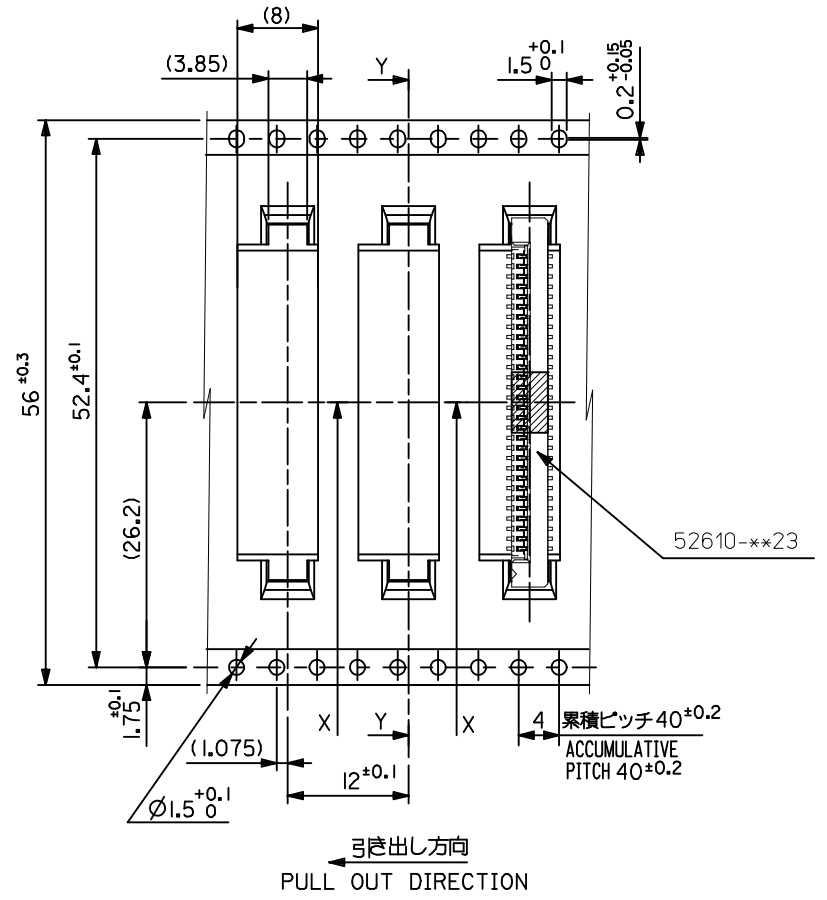
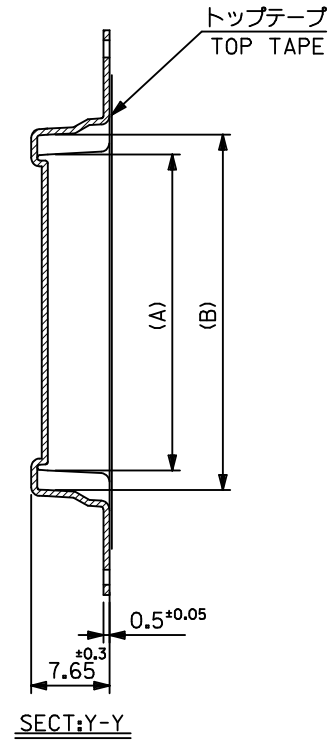


44	49.4	45.4	31.25	27.32	52610-2634	26
			30.25	26.32	52610-2534	25
			29.25	25.32	52610-2434	24
			28.25	24.32	52610-2334	23
			27.25	23.32	52610-2234	22
			26.25	22.32	52610-2134	21
			25.25	21.32	52610-2034	20
			24.25	20.32	52610-1934	19
			23.25	19.32	52610-1834	18
			21.25	17.32	52610-1634	16
キャリアテープ幅 CARRIER TAPE WIDTH	D	C	(B)	(A)	MATERIAL. NO.	種数 CKT.

SEE SHEET 1 OF 5 EC NO: J2013-1003 DRAWN: AISHII 2013/02/20 CHKD: KTAKAHASHI 2013/02/20 APPR: KMORIKAWA 2013/03/15	GENERAL TOLERANCES (UNLESS SPECIFIED)		DIMENSION STYLE MM ONLY		SCALE ---	DESIGN UNITS METRIC	THIRD ANGLE PROJECTION
	10 UNDER	±0.3	DRAWN BY AISHII	DATE 2013/02/20	TITLE EMBOSS TAPE PACKAGED FOR 1.0 FPC CONN ZIF S/T HOUSING ASSY molex		
	10 OVER 30 UNDER	±0.25	CHECKED BY KTAKAHASHI	DATE 2013/02/20			
	30 OVER	±0.2	APPROVED BY KMORIKAWA	DATE 2013/03/15			
	ANGULAR ±3 °		MATERIAL NO.		DOCUMENT NO.	SHEET NO.	
DRAFT WHERE APPLICABLE MUST REMAIN WITHIN DIMENSIONS		SEE CHART		SD-52610-051	4 OF 5		
SIZE A3 THIS DRAWING CONTAINS INFORMATION THAT IS PROPRIETARY TO MOLEX INCORPORATED AND SHOULD NOT BE USED WITHOUT WRITTEN PERMISSION							

9 8 7 6 5 4 3 2 1

10 9 8 7 6 5 4 3 2 1



56	61.4	57.4	35.25	31.32	52610-3034	30
キャリアテープ幅 CARRIER TAPE WIDTH	D	C	(B)	(A)	MATERIAL. NO.	種数 CKT.
			33.25	29.32	52610-2834	28

SEE SHEET 1 OF 5 EC NO: J2013-1003 DRW: AISHII 2013/02/20 CHKD: KTAKAHASHI 2013/02/20 APPR: KMORIKAWA 2013/03/15	GENERAL TOLERANCES (UNLESS SPECIFIED)		DIMENSION STYLE MM ONLY		SCALE ---	DESIGN UNITS METRIC	THIRD ANGLE PROJECTION
	10 UNDER	±0.3	DRAWN BY AISHII	DATE 2013/02/20	TITLE EMBOSS TAPE PACKAGED FOR 1.0 FPC CONN ZIF S/T HOUSING ASSY molex		
	10 OVER 30 UNDER	±0.25	CHECKED BY KTAKAHASHI	DATE 2013/02/20			
	30 OVER	±0.2	APPROVED BY KMORIKAWA	DATE 2013/03/15			
	ANGULAR	±3 °	MATERIAL NO.		DOCUMENT NO.	SHEET NO.	
DRAFT WHERE APPLICABLE MUST REMAIN WITHIN DIMENSIONS		SEE CHART		SD-52610-051		5 OF 5	
THIS DRAWING CONTAINS INFORMATION THAT IS PROPRIETARY TO MOLEX INCORPORATED AND SHOULD NOT BE USED WITHOUT WRITTEN PERMISSION							

9 8 7 6 5 4 3 2 1

X-ON Electronics

Largest Supplier of Electrical and Electronic Components

Click to view similar products for [FFC & FPC Connectors](#) category:

Click to view products by [Molex](#) manufacturer:

Other Similar products are found below :

[HFW11R-1STE1H1LF](#) [FH29B-100S-0.2SHW\(99\)](#) [FA5S008HP1](#) [FH29B-120S-0.2SHW\(99\)](#) [FH29B-80S-0.2SHW\(99\)](#) [FHS-16](#) [FPH-2022G](#)
[52610-1075](#) [52610-1275](#) [52610-1934](#) [XF3M\(1\)-1415-1B-R100](#) [501864-3091-TR225](#) [0525594033](#) [086210010340800](#) [086222026001800](#)
[52271-2869-CUT-TAPE](#) [62674-201121DLF](#) [62684-36210E9ALF](#) [52610-1675](#) [52746-1671-TR250](#) [10051922-2810EHLF](#) [6-520415-9](#)
[BD021-09A-A1-0350-0200-0550-LD](#) [SFV6R-1STE9HLF](#) [XF3M-2915-1B-R100](#) [1658549-1](#) [62674-221121ALF](#) [46214008010800](#)
[046298003000883](#) [151660622](#) [842-816-2630-035](#) [AYF530665TA](#) [AYF351525](#) [046296011930846+](#) [AYF352325A](#) [046254020000800+](#)
[FH19C-13S-0.5SH\(99\)](#) [FH39J-51S-0.3SHW\(99\)](#) [AYF355125A](#) [AYF530365TA](#) [FH29B-44S-0.2SHW\(99\)](#) [SFW5R-2STAE9LF](#) [AYF351125A](#)
[AYF350725A](#) [62684-502100AHLF](#) [FH39-61S-0.3SHW\(99\)](#) [AYF414035A](#) [10064555-172520HLF](#) [AYF212335A](#) [504754-2500](#)