

**PLEASE CHECK WWW.MOLEX.COM FOR LATEST PART INFORMATION**

**Part Number:** [0528922633](#)  
**Status:** **Active**  
**Overview:** FFC-FPC (SMT)  
**Description:** 0.50mm Pitch Easy-On FFC/FPC Connector, Right-Angle, Surface Mount, ZIF, Bottom Contact Style, Cable Retention Guide, 26 Circuits

**Documents:**

[3D Model](#) [Packaging Specification SPK-52892-001-001 \(PDF\)](#)  
[Drawing \(PDF\)](#) [RoHS Certificate of Compliance \(PDF\)](#)  
[Product Specification PS-52892-040-001 \(PDF\)](#)

**General**

Product Family FFC/FPC Connectors  
Series [52892](#)  
Comments Hinge, Cable Guide, Hinge, Cable Guide  
Overview [FFC-FPC \(SMT\)](#)  
Product Name Easy-On  
UPC 887191274171

**Physical**

Actuator Type Flip  
Circuits (Loaded) 26  
Color - Resin Natural  
Contact Position Bottom  
Durability (mating cycles max) 20  
Mated Height 2.00mm  
Material - Metal Phosphor Bronze  
Material - Plating Mating Tin-Silver-Bismuth  
Material - Plating Termination Tin-Silver-Bismuth  
Material - Resin Nylon  
Net Weight 272.384/mg  
Number of Rows 1  
Orientation Right Angle  
PC Tail Length 2.00mm  
PCB Locator No  
PCB Mounting Surface Mount  
PCB Retention Yes  
Packaging Type Embossed Tape on Reel  
Pitch - Mating Interface 0.50mm  
Pitch - Termination Interface 0.50mm  
Polarized to PCB No  
Stackable No  
Surface Mount Compatible (SMC) N/A  
Temperature Range - Operating -40° to +85°C  
Wire/Cable Type FFC/FPC

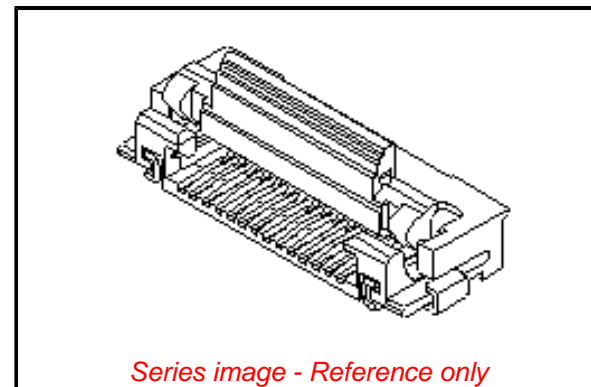
**Electrical**

Current - Maximum per Contact 0.5A  
Voltage - Maximum 50V

**Material Info**

**Reference - Drawing Numbers**

Packaging Specification SPK-52892-001-001  
Product Specification PS-52892-040-001  
Sales Drawing SD-52892-044, SD-52892-045



*Series image - Reference only*

**EU ELV**

**Not Relevant**

**EU RoHS**

**Compliant**

**REACH SVHC**

Not Contained Per  
-ED/88/2018 (15  
January 2019)

**Halogen-Free**

**Status**

**Not Low-Halogen**

For more information, please visit [Contact US](#)

China ROHS

ELV

RoHS Phthalates

**China RoHS**

Green Image

Not Relevant

Not Contained

**Search Parts in this Series**

[52892 Series](#)

This document was generated on 04/02/2019

**PLEASE CHECK [WWW.MOLEX.COM](http://WWW.MOLEX.COM) FOR LATEST PART INFORMATION**

## X-ON Electronics

Largest Supplier of Electrical and Electronic Components

*Click to view similar products for [FFC & FPC Connectors](#) category:*

*Click to view products by [Molex](#) manufacturer:*

Other Similar products are found below :

[FPH-1422G](#) [FPH-1602G](#) [K-FC20](#) [FH29B-80S-0.2SHW\(99\)](#) [FPH-2022G](#) [AYF332735](#) [52610-1075](#) [52610-1275](#) [52610-1934](#) [501864-3091-TR225](#) [086222026001800](#) [52610-0675](#) [62684-36210E9ALF](#) [52746-1671-TR250](#) [10051922-2810EHLF](#) [6-520415-9](#) [SFV6R-1STE9HLF](#) [XF3M-2915-1B-R100](#) [1658549-1](#) [AYF534065TA](#) [AYF351525](#) [086212040340800+](#) [AYF530365TA](#) [67000-014LF](#) [67000-004LF](#) [006207341915000+](#) [DS1020-19RT1D](#) [67000-003LF](#) [67000-011LF](#) [67000-016LF](#) [HFW14R-2STE9LF](#) [SFV32R-2STBE9HLF](#) [SFW12R-5STE9LF](#) [SFW18R-1STAE9LF](#) [SFW4R-5STE9LF](#) [52807-0430](#) [046283021002868+](#) [THD1015-8CL-SN](#) [67000-006LF](#) [502250-8027](#) [104267-9617](#) [66987-011LF](#) [AYF362535](#) [F0501-T-50-20T-R](#) [F1003-ZV-12-25T-R](#) [HFW8S-2STAE1HLF](#) [67000-008LF](#) [67000-012LF](#) [ECC576069EU](#) [F1002-B-20-20T-R](#)