

注記 NOTES

1. 使用材料 MATERIAL  
 ハウジング POLYAMIDE46, ガラス充填, UL94V-0 (白)  
 HOUSING POLYAMIDE46, GLASS FILLED, UL94V-0(WHITE)  
 アクチュエータ ポリフェニレンサルファイド, ガラス充填, UL94V-0 (茶)  
 ACTUATOR POLYPHENYLENE SULFIDE, GLASS FILLED, UL94V-0(BROWN)  
 ターミナル リン青銅 (t=0.2)  
 TERMINAL PHOSPOR BRONZE  
 銅ヒスマズメッキ  
 TIN-BITHMUS I,O MICROMETER MINIMUM  
 ニッケル下地  
 NICKEL(UNDER PLATING)I,O MICROMETER MINIMUM  
 金具 リン青銅 (t=0.2)  
 FITTING NAIL PHOSPOR BRONZE  
 銅メッキ  
 TIN I,O MICROMETER MINIMUM  
 ニッケル下地  
 NICKEL(UNDER PLATING)I,O MICROMETER MINIMUM
- △ パターンはくり止め用金具  
 FITTING NAIL FOR PREVENTION OF PEELING OF P.C.B. PATTERN.  
 △ ソルダータール半田付け面のスレ量、及び金具半田付け面のスレ量は、基準面 Y に対し上方向 0.05MAX. 下方向 0.2MAX. とし、相互のバラツキ量は、0.1MAX. とする。  
 MISALIGNMENT OF SOLDER TAILS AND FITTING NAILS FROM Y  
 UPPER DIRECTION: 0.05 MAX., LOWER DIRECTION: 0.2 MAX.  
 MISALIGNMENT BETWEEN SOLDER TAILS AND FITTING NAILS : 0.1MAX.  
 △ 偶数極に適用。  
 APPLY FOR EVEN CIRCUIT.  
 △ 1極以上は2ヶ所、10~17極はハウジングセンター上に1ヶ所とする。  
 18 CKTS & MORE THAN 18 CKTS PLACED 2 POINT.  
 10~17 CKTS PLACED 1 POINT ON HOUSING CENTER.

アクチュエータを開口した状態  
 WHEN ACTUATOR IS OPEN

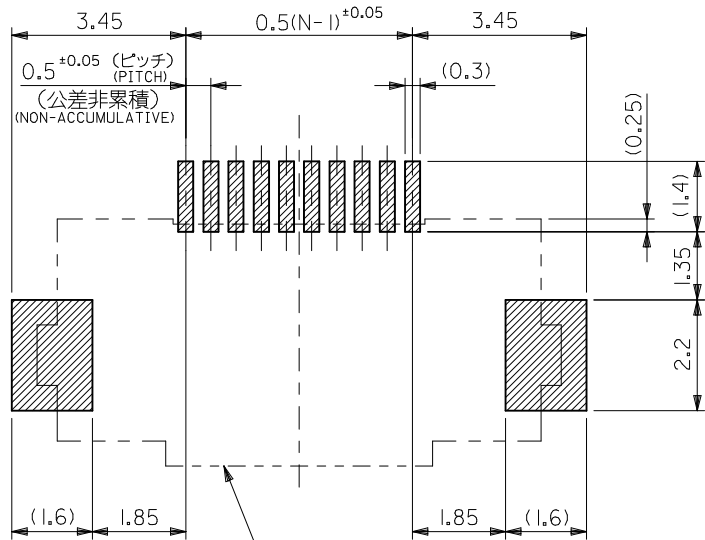
19.6	15.5	15.3	14.5	52893-3095	52893-3019	30
18.6	14.5	14.3	13.5	-2895	-2819	28
17.6	13.5	13.3	12.5	-2695	-2619	26
16.6	12.5	12.3	11.5	-2495	-2419	24
15.6	11.5	11.3	10.5	-2295	-2219	22
15.1	11.0	10.8	10.0	-2195	-2119	21
14.6	10.5	10.3	9.5	-2095	-2019	20
13.6	9.5	9.3	8.5	-1895	-1819	18
12.6	8.5	8.3	7.5	-1695	-1619	16
12.1	8.0	7.8	7.0	-1595	-1519	15
11.6	7.5	7.3	6.5	-1495	-1419	14
11.1	7.0	6.8	6.0	-1395	-1319	13
10.6	6.5	6.3	5.5	-1295	-1219	12
10.1	6.0	5.8	5.0	-1195	-1119	11
9.6	5.5	5.3	4.5	-1095	-1019	10
8.6	4.5	4.3	3.5	52893-0895	52893-0819	8
D	C	B	(A)	EMBOSSED TAPE ORDER No. オダー番号	MATERIAL NO.	極数 CIRCUIT

52893-\*\*-19 MODEL NO.

注記 NOTES

6. 本製品は 52893-\*\*-17 の鉛フリー品である。  
 THIS PRODUCT IS LEAD FREE OF 52893-\*\*-17.

REVISED EC NO: J2016-0623 DRWN:SKITAZAWA 2015/12/11 CHKD:YKOBAYASHI 02/2016/02/15 APPR:TKUSUHARA01 2016/02/17	GENERAL TOLERANCES (UNLESS SPECIFIED)		DIMENSION STYLE MM ONLY		SCALE ---	DESIGN UNITS METRIC		THIRD ANGLE PROJECTION	
	0.25 UNDER	UNDER	±0.03	DRAWN BY M. NAGATA	DATE '04/01/09	TITLE 0.5 FPC CONN ASSY ZIF SMT RA BTM CONT E/O TYPE -LEAD FREE-			
	0.25 OVER	0.5 UNDER	±0.05	CHECKED BY K. TOJO	DATE '04/01/09				
	0.5 OVER	1.0 UNDER	±0.1	APPROVED BY M. SASAO	DATE '04/01/09				
	1.0 OVER	10 UNDER	±0.2	MATERIAL NO.		DOCUMENT NO.		SHEET NO.	
10 OVER	30 UNDER	±0.25	SEE TABLE		SD-52893-040		1 OF 2		
30 OVER		±0.3	THIS DRAWING CONTAINS INFORMATION THAT IS PROPRIETARY TO MOLEX ELECTRONIC TECHNOLOGIES, LLC AND SHOULD NOT BE USED WITHOUT WRITTEN PERMISSION						
ANGULAR ±3 °			DRAFT WHERE APPLICABLE MUST REMAIN WITHIN DIMENSIONS		SIZE A3				



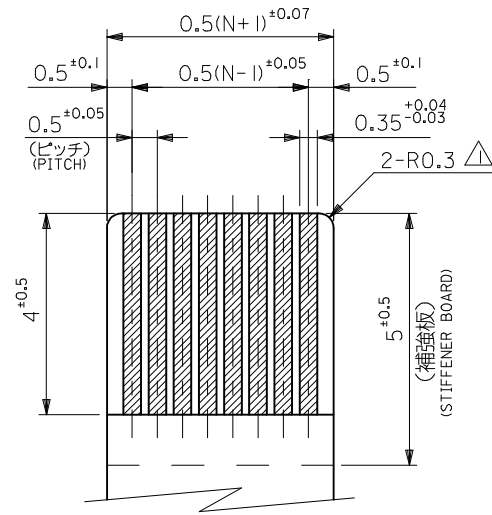
コネクタ位置  
CONNECTOR POSITION

参考基板レイアウト  
RECOMMENDED P.C. BOARD  
PATTERN DIMENSION (REF.)

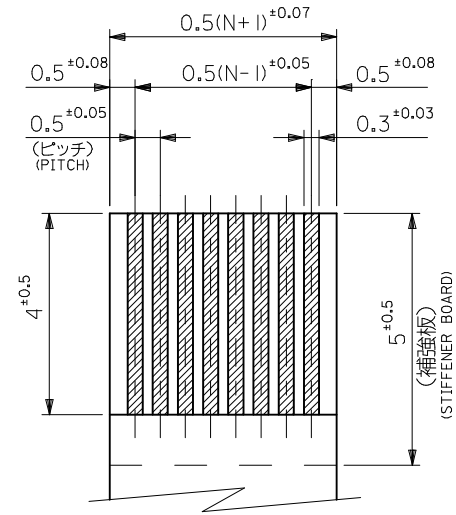
(マウント面)  
(MOUNTING SIDE)

注記 NOTES

- △ R0.3は、FPCの導体部にかからないこと。  
R0.3 MUST NOT BE OVERLAPPED TO PATTERN OF FPC.



適合FPC推奨寸法  
APPLICABLE FPC  
RECOMMENDED DIMENSION  
(仕上がり厚さ: 0.3 ± 0.03)  
(THICKNESS: 0.3 ± 0.03)



適合FFC推奨寸法  
APPLICABLE FFC  
RECOMMENDED DIMENSION  
(仕上がり厚さ: 0.3 ± 0.03)  
(THICKNESS: 0.3 ± 0.03)

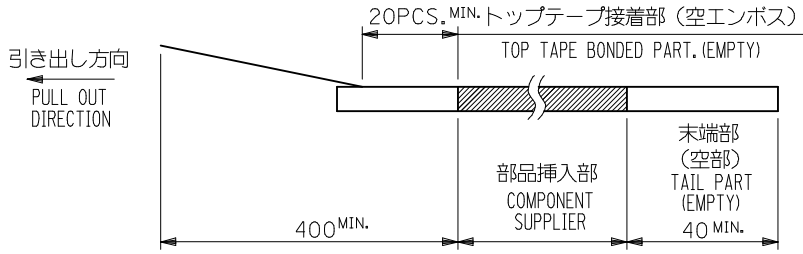
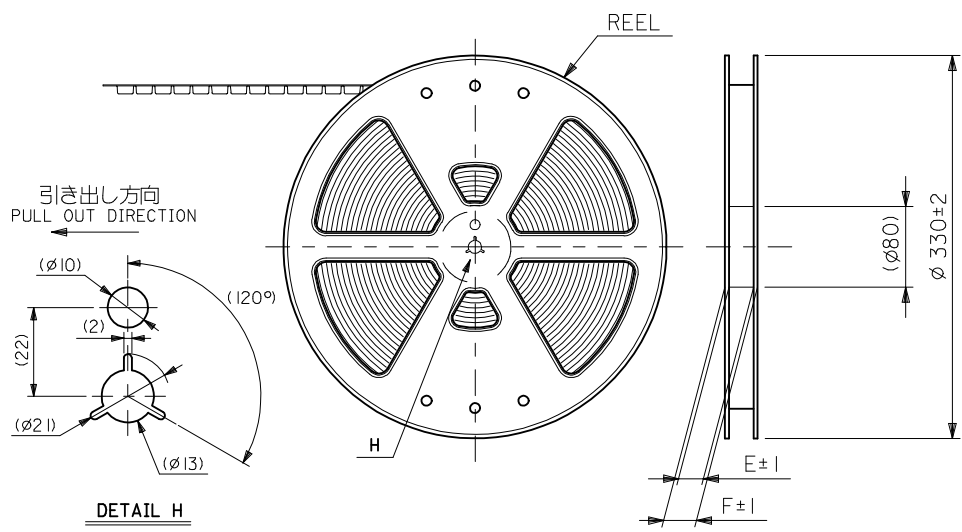
FPCについて:  
打抜き方向は導体側から補強板側を推奨致します。  
補強フィルム材質はポリイミドを推奨致します。  
接着剤は熱硬化接着剤を推奨致します。  
ABOUT FPC:  
RECOMMENDED PUNCHER DIRECTION: FROM CONDUCTOR SIDE TO STIFFENER BOARD SIDE.  
RECOMMENDED MATERIAL:  
STIFFENER FILM: POLYIMIDE  
BONDING AGENT: THERMOSETTING BONDING AGENT

52893-\*\*-19 MODEL NO.

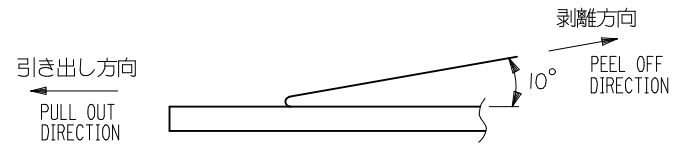
REVISED EC NO: J2016-0623 DRWN:SKITAZAWA 2015/12/11 CHKD:YKOBAYASHI 022016/02/15 APPR:TKUSUHARA01 2016/02/17	GENERAL TOLERANCES (UNLESS SPECIFIED)		DIMENSION STYLE MM ONLY		SCALE ---	DESIGN UNITS METRIC	THIRD ANGLE PROJECTION		
	0.25 UNDER	UNDER	± 0.03	DRAWN BY M. NAGATA	DATE '04/01/09	TITLE 0.5 FPC CONN ASSY ZIF SMT RA BTM CONT E/O TYPE -LEAD FREE-			
	0.25 OVER	0.5 UNDER	± 0.05	CHECKED BY K. TOJO	DATE '04/01/09	molex			
	0.5 OVER	1.0 UNDER	± 0.1	APPROVED BY M. SASAO	DATE '04/01/09				
	1.0 OVER	10 UNDER	± 0.2	MATERIAL NO. SEE SHEET 1	DOCUMENT NO. SD-52893-040	SHEET NO. 2 OF 2			
	10 OVER	30 UNDER	± 0.25	THIS DRAWING CONTAINS INFORMATION THAT IS PROPRIETARY TO MOLEX ELECTRONIC TECHNOLOGIES, LLC AND SHOULD NOT BE USED WITHOUT WRITTEN PERMISSION					
30 OVER		± 0.3							
ANGULAR	± 3 °								
DRAFT WHERE APPLICABLE MUST REMAIN WITHIN DIMENSIONS			SIZE A3						

注記 NOTES

- 製品詳細寸法については図面 SD-52893-040 を参照下さい。  
RE DETAILED DIMENSION, SEE SD-52893-040
- 梱包数量：1000個/リール  
NUMBER OF CONNECTORS : 1000PCS/REEL
- リードテープ長さ LEAD TAPE LENGTH

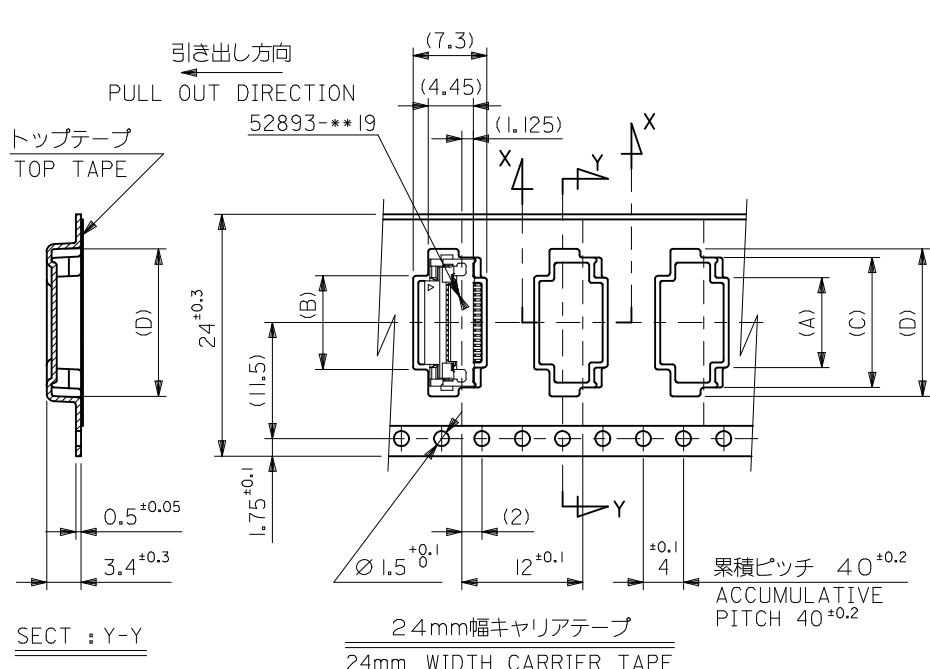


- トップテープの剥離強度：0.1～1.3N(10～130gf)  
(剥離方向は下図参照)  
尚、本規格値は出荷時に適用。(但し、輸送時に剥離が発生しないこと。)  
PEELING OFF FORCE OF TOP TAPE : 0.1～1.3N(10～130gf)  
(PEELING DIRECTION AS SHOWN IN FOLLOWING FIG.)  
THIS REQUIREMENT SHOULD BE APPLIED AT SHIPMENT.  
PEEL OFF SHOULD NOT BE ALLOWED , DURING TRANSPORTATION.



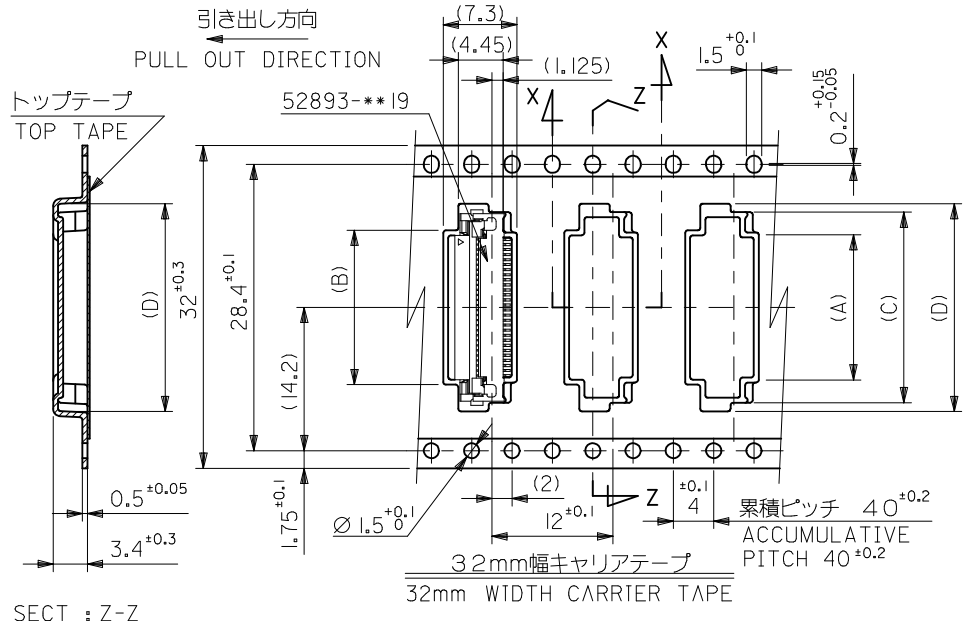
- 材料  
キャリアテープ：ポリプロピレン (PP)  
トップテープ：PET, PE, PEF  
リール：ポリスチレン (PS) <リサイクル材を含む>  
MATERIAL CARRIER TAPE:POLYPROPYLENE  
TOP TAPE:PET,PE,PEF  
REEL:POLYSTYRENE(PS)  
<RECYCLE MATERIAL CONTAINED>
- 本製品は 52893-\*\*\*90 の鉛フリー品である。  
THIS PRODUCT IS LEAD FREE OF 52893-\*\*\*90

REVISED EC NO: J2016-0623 DRWN:SKITAZAWA 2015/12/11 CHKD:YKOBAYASHI 2016/02/15 APPR:TKUSUHARA01 2016/02/17	GENERAL TOLERANCES (UNLESS SPECIFIED)			DIMENSION STYLE MM ONLY		SCALE ---	DESIGN UNITS METRIC	THIRD ANGLE PROJECTION
	0.25 UNDER	UNDER	±0.03	DRAWN BY	DATE	TITLE		
	0.25 OVER	0.5 UNDER	±0.05	M. NAGATA	'04/01/09	0.5 FPC CONN ASSY ZIF		
	0.5 OVER	1.0 UNDER	±0.1	CHECKED BY	DATE	-LEAD FREE-		
	1.0 OVER	10 UNDER	±0.2	K. TOJO	'04/01/09	<b>molex</b>		
	10 OVER	30 UNDER	±0.25	APPROVED BY	DATE	MATERIAL NO. DOCUMENT NO. SHEET NO.		
30 OVER		±0.3	ENTER PART		SD-52893-041		1 OF 2	
	ANGULAR ±3 °			SIZE A3		THIS DRAWING CONTAINS INFORMATION THAT IS PROPRIETARY TO MOLEX ELECTRONIC TECHNOLOGIES, LLC AND SHOULD NOT BE USED WITHOUT WRITTEN PERMISSION		
	DRAFT WHERE APPLICABLE MUST REMAIN WITHIN DIMENSIONS							



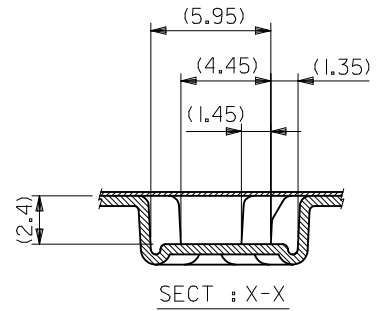
SECT : Y-Y

24mm幅キャリアテープ  
24mm WIDTH CARRIER TAPE



SECT : Z-Z

32mm幅キャリアテープ  
32mm WIDTH CARRIER TAPE



32	37.4	33.4	21.6	19.9	16.1	15.9	52893-3095	30
			20.6	18.9	15.1	14.9	-2895	28
			19.6	17.9	14.1	13.9	-2695	26
			18.6	16.9	13.1	12.9	-2495	24
24	29.4	25.4	17.6	15.9	12.1	11.9	-2295	22
			17.1	15.4	11.6	11.4	-2195	21
			16.6	14.9	11.1	10.9	-2095	20
			15.6	13.9	10.1	9.9	-1895	18
			14.6	12.9	9.1	8.9	-1695	16
			14.1	12.4	8.6	8.4	-1595	15
			13.6	11.9	8.1	7.9	-1495	14
			13.1	11.4	7.6	7.4	-1395	13
			12.6	10.9	7.1	6.9	-1295	12
			12.1	10.4	6.6	6.4	-1195	11
			11.6	9.9	6.1	5.9	-1095	10
			10.6	8.9	5.1	4.9	52893-0895	8
キャリアテープ幅 CARRIER TAPE WIDTH	F	E	(D)	(C)	(B)	(A)	MATERIAL NO.	極数 CIRCUIT

REVISED EC NO: J2016-0623 DRWN:SKITAZAWA 2015/12/11 CHKD:YKOBAYASHI 02/2016/02/15 APPR:TKUSUHARA01 2016/02/17	GENERAL TOLERANCES (UNLESS SPECIFIED)		DIMENSION STYLE		SCALE		DESIGN UNITS		THIRD ANGLE PROJECTION	
	0.25 UNDER UNDER ±0.03		MM ONLY		---		METRIC		0.5 FPC CONN ASSY ZIF	
	0.25 OVER 0.5 UNDER ±0.05		DRAWN BY DATE		---		---		-LEAD FREE-	
	0.5 OVER 1.0 UNDER ±0.1		M. NAGATA '04/01/09		---		---		molex	
	1.0 OVER 10 UNDER ±0.2		CHECKED BY DATE		---		---		SD-52893-041	
10 OVER 30 UNDER ±0.25		K. TOJO '04/01/09		---		---		2 OF 2		
30 OVER ±0.3		APPROVED BY DATE		---		---		THIS DRAWING CONTAINS INFORMATION THAT IS PROPRIETARY TO MOLEX ELECTRONIC TECHNOLOGIES, LLC AND SHOULD NOT BE USED WITHOUT WRITTEN PERMISSION		
ANGULAR ±3 °		MATERIAL NO. DOCUMENT NO.		---		---		SHEET NO.		
DRAFT WHERE APPLICABLE MUST REMAIN WITHIN DIMENSIONS		ENTER PART		---		---		2 OF 2		

## X-ON Electronics

Largest Supplier of Electrical and Electronic Components

*Click to view similar products for [FFC & FPC Connectors](#) category:*

*Click to view products by [Molex](#) manufacturer:*

Other Similar products are found below :

[FPH-1422G](#) [FPH-1602G](#) [K-FC20](#) [FH29B-80S-0.2SHW\(99\)](#) [FPH-2022G](#) [AYF332735](#) [52610-1075](#) [52610-1275](#) [52610-1934](#) [501864-3091-TR225](#) [086222026001800](#) [52610-0675](#) [62684-36210E9ALF](#) [52746-1671-TR250](#) [10051922-2810EHLF](#) [6-520415-9](#) [SFV6R-1STE9HLF](#) [XF3M-2915-1B-R100](#) [1658549-1](#) [AYF534065TA](#) [AYF351525](#) [086212040340800+](#) [AYF530365TA](#) [67000-014LF](#) [67000-004LF](#) [006207341915000+](#) [DS1020-19RT1D](#) [67000-003LF](#) [67000-011LF](#) [67000-016LF](#) [HFW14R-2STE9LF](#) [SFV32R-2STBE9HLF](#) [SFW12R-5STE9LF](#) [SFW18R-1STAE9LF](#) [SFW4R-5STE9LF](#) [52807-0430](#) [046283021002868+](#) [THD1015-8CL-SN](#) [67000-006LF](#) [502250-8027](#) [104267-9617](#) [66987-011LF](#) [AYF362535](#) [F0501-T-50-20T-R](#) [F1003-ZV-12-25T-R](#) [HFW8S-2STAE1HLF](#) [67000-008LF](#) [67000-012LF](#) [ECC576069EU](#) [F1002-B-20-20T-R](#)