

**PLEASE CHECK WWW.MOLEX.COM FOR LATEST PART INFORMATION**

**Part Number:** [53358-0240](#)  
**Status:** **Active**  
**Description:** 2.00mm Pitch Mi II™ Wire-to-Wire Adapter, 2 Circuits, Lead-Free

**Documents:**

3D Model [Product Specification PS-53358-001 \(PDF\)](#)  
Drawing (PDF) [RoHS Certificate of Compliance \(PDF\)](#)  
Product Specification PS-51090-003 (PDF)

**Agency Certification**

CSA LR19980  
UL E29179

**General**

Product Family Accessories  
Series [53358](#)  
Comments For Panel Mounting  
Component Type Adapter  
Product Name Mi II™  
UPC 756054584934

**Physical**

Circuits (Loaded) 2  
Color - Resin Natural  
Flammability 94V-0  
Gender N/A  
Lock to Mating Part Yes  
Material - Metal Brass  
Material - Plating Mating Tin  
Material - Plating Termination Tin  
Material - Resin Polyester  
Net Weight 753.300/mg  
Number of Rows 1  
Packaging Type Bag  
Plating min - Mating 1.016µm  
Plating min - Termination 1.016µm  
Polarized to Mating Part Yes  
Temperature Range - Operating -40°C to +105°C

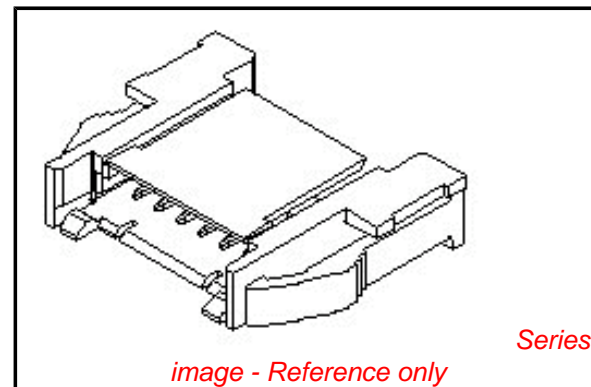
**Electrical**

Current - Maximum per Contact 2A

**Material Info**

**Reference - Drawing Numbers**

Product Specification PS-51090-003, PS-53358-001, RPS-53358-001  
Sales Drawing SD-53358-001



*image - Reference only*

**EU RoHS**

**ELV and RoHS  
Compliant**  
**REACH SVHC  
Contains SVHC: No  
Low-Halogen Status  
Not Low-Halogen**

**China RoHS**



**Need more information on product  
environmental compliance?**

Email [productcompliance@molex.com](mailto:productcompliance@molex.com)  
For a multiple part number RoHS Certificate of  
Compliance, [click here](#)

Please visit the [Contact Us](#) section for any  
non-product compliance questions.

**Search Parts in this Series**

[53358Series](#)

**Use With**

[51090 Crimp Housing](#), [52484 IDT Housing](#)

## X-ON Electronics

Largest Supplier of Electrical and Electronic Components

*Click to view similar products for [Headers & Wire Housings](#) category:*

*Click to view products by [MOLEX](#) manufacturer:*

Other Similar products are found below :

[95000-104TRLF](#) [10135584-644402LF](#) [DF62W-EP2022PCA](#) [95000-106TRLF](#) [DF62W-2022SCA](#) [DF62W-EP2022PC](#) [2203348](#) [DF62W-2022SC](#) [1084018](#) [1029039](#) [1084017](#) [802-10-012-10-002000](#) [1112640](#) [1112639](#) [891-007-9SS-BST1T](#) [000-34000](#) [0008550134](#) [0009482033](#) [0009507031](#) [57102-F02-18ULF](#) [57102-S06-03LF](#) [57202-S52-04LF](#) [PCN6-15S-2.5E](#) [0039019024](#) [58102-G61-06LF](#) [582553-1](#) [0009485154](#) [0009508121](#) [0022285053](#) [0050291907](#) [018731A](#) [LY20-4P-DT1-P1E-BR](#) [02.125.8002.8](#) [60101931](#) [60598-1 \(Cut Strip\)](#) [M1625-3R/100](#) [61062-3](#) [61082-181009](#) [CSU011177004](#) [636-1427](#) [638009-1](#) [641938-9](#) [641991-4](#) [644168-1](#) [644827-2](#) [647662-1](#) [65039-019ELF](#) [65692-001LF](#) [65781-018](#) [65781-047](#)