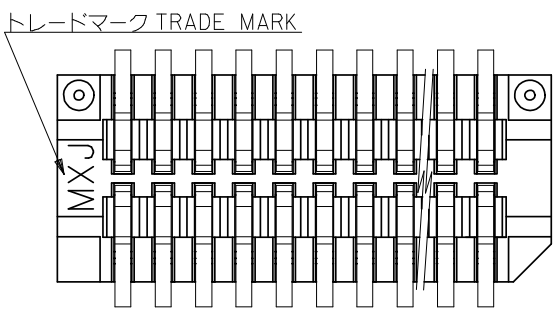
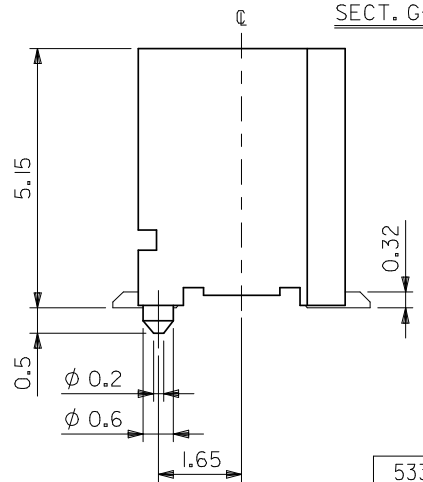
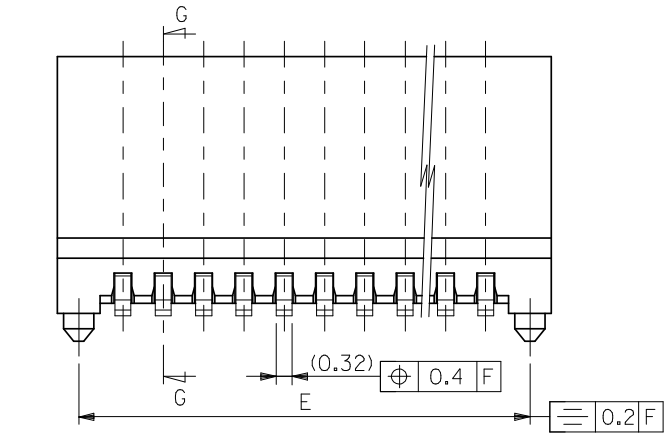


注記 NOTES

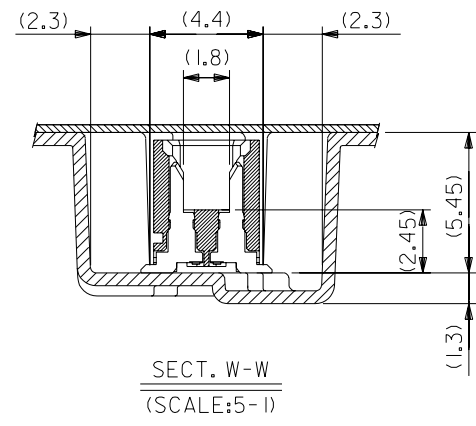
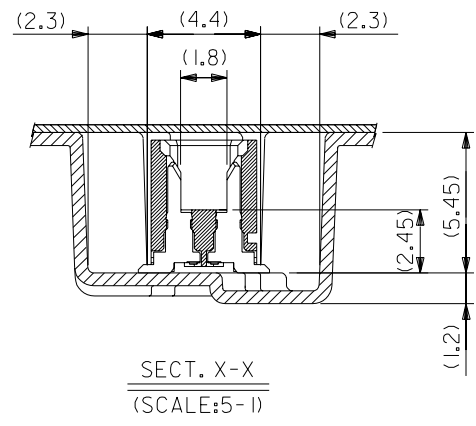
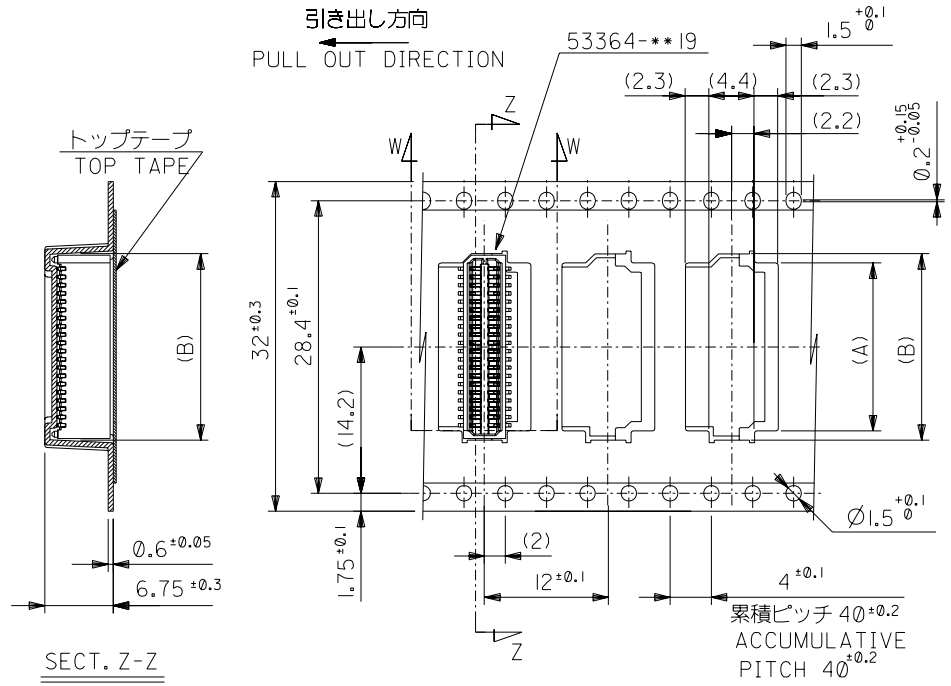
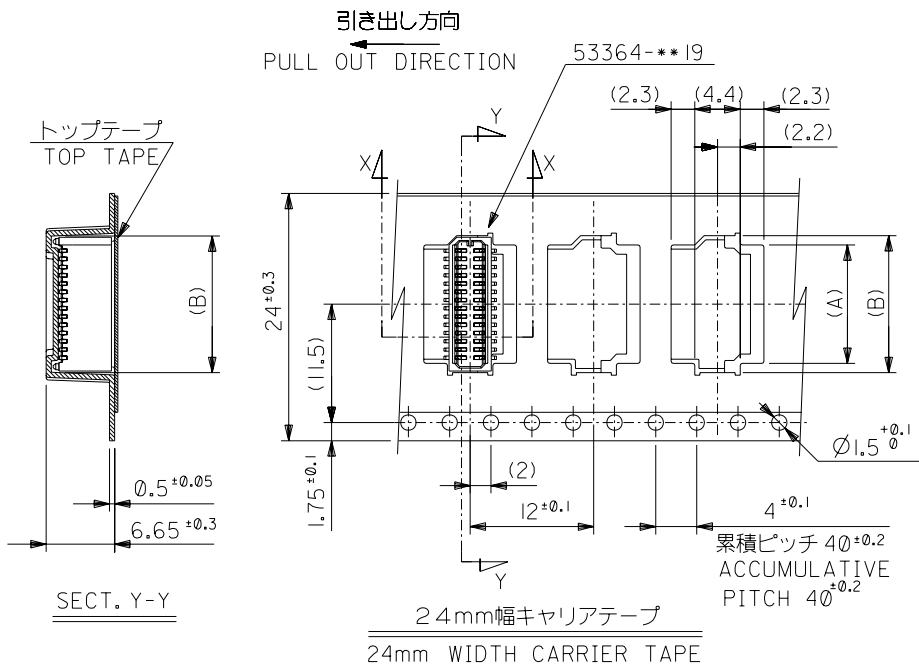
1. 嵌合相手 : 52465 シリーズ
MATES WITH : 52465 SERIES
2. ウェハーの ϕ から隣接するピンの ϕ 迄の位置を示す。
SHOW POSITION FROM ϕ OF WAFER TO ϕ OF ADJACENT PINS.
3. 本製品は 53364-**17 の鉛フリー品である。
THIS PRODUCT IS LEAD FREE OF 53364-**17



53364-**19	E	D	C	B	A	MATERIAL NO.	極数	CKT.
MODEL NO.								

17.0	0.4	17.8	16.9	15.2	53364-4019	40
15.4	0.4	16.2	15.3	13.6	53364-3619	36
13.0	0.8	13.8	12.9	11.2	53364-3019	30
12.2	0.4	13.0	12.1	10.4	53364-2819	28
9.0	0.4	9.8	8.9	7.2	53364-2019	20
8.2	0.8	9.0	8.1	6.4	53364-1819	18
5.8	0.4	6.6	5.7	4.0	53364-1219	12
5.0	0.8	5.8	4.9	3.2	53364-1019	10

REVISED EC NO: J2008-3931 DRWN: MAKURAA 2008/05/26 CHKD: T. HARIYAMA 2008/05/26 APPR: NUKITA 2008/08/21	GENERAL TOLERANCES (UNLESS SPECIFIED)		DIMENSION STYLE MM ONLY		SCALE ---		DESIGN UNITS METRIC		THIRD ANGLE PROJECTION	
	10 UNDER	±0.2	DRAWN BY M. NABEI		DATE		TITLE 0.8 BOARD TO BOARD CONN. WAFER ASS ST.SMT -LEAD FREE-		MOLEX INCORPORATED SD-53364-001 SHEET NO. 1 OF 1	
	10 OVER 30 UNDER	±0.25	CHECKED BY K. TOJO		DATE					
	30 OVER	±0.3	APPROVED BY M. SASAO		DATE		DOCUMENT NO. SEE TABLE		MATERIAL NO.	
A	REVISION	ANGULAR ±3 °		SIZE A3		THIS DRAWING CONTAINS INFORMATION THAT IS PROPRIETARY TO MOLEX INCORPORATED AND SHOULD NOT BE USED WITHOUT WRITTEN PERMISSION				
		DRAFT WHERE APPLICABLE MUST REMAIN WITHIN DIMENSIONS								



32	37.4	33.4	18.1	16.3	53364-4070	40
24	29.4	25.4	16.5	14.7	53364-3670	36
			14.1	12.3	53364-3070	30
			13.3	11.5	53364-2870	28
			10.1	8.3	53364-2070	20
					53364-**70	
					MODEL NO.	
					キャリアテープ幅 CARRIER TAPE WIDTH	
					D	
					C	
					(B)	
					(A)	
					MATERIAL NO.	
					極数 CIRCUIT	

53364-**70	新規作成 (J2004-2958)	M.N.	04/03/09	材料 MATERIAL	参照 REFER TO SHEET 1 OF 2	molex MOLEX-JAPAN CO.,LTD. 日本モレックス株式会社
MODEL NO.	変更内容	M.S	04/03/09	SHEET 1 OF 2 参照 REFER TO SHEET 1 OF 2	REVISE ONLY ON CAD SYSTEM	
	記号	DR.	日付	仕上げ FINISH	適用電線範囲 WIRE RANGE	TITLE 名称
	LTR	CHK.	DATE	—	—	0.8 BtB Conn Wafer Assy ST SMT With Boss Embstp Pkg -LEAD FREE-
				被覆外径 INS. RANGE	—	DWG. NO. (SHEET 2 OF 2)
				—	—	SD-53364-002
				DRAWN BY 04/03/09	CHK'D BY 04/03/09	REV
				M.NABEI	K.TOJO	0
				APP'D BY 04/03/09	尺度	
				M.SASAO	—	

角度 ANGLE	±30°
30 以上 OVER	±0.3
10 以上 30 未満 UNDER	±0.25
10 未満 UNDER	±0.2
一般公差 GENERAL TOLERANCES	

X-ON Electronics

Largest Supplier of Electrical and Electronic Components

Click to view similar products for [Board to Board & Mezzanine Connectors](#) category:

Click to view products by [Molex](#) manufacturer:

Other Similar products are found below :

[589158040000018](#) [FCN-230C068-11](#) [FCN-268F012-G/BD](#) [FCN-268F036-G/BD](#) [FCN-268M012-G/0D](#) [FCN-268M024-G/1D](#) [FCN-723J004/1](#) [MIS-048-01-F-D-DP-K](#) [832-10-034-10-001000](#) [FX4C-80S-1.27DSA](#) [FCN-214Q030-G/0](#) [FCN-234P048-G/0](#) [FCN-235D050-G/C](#) [2-22603-0](#) [AXG720047](#) [5031084030](#) [MIT-114-03-F-D-K](#) [55323-1519](#) [YFT-20-05-H-03-SB-K](#) [503308-3040](#) [026-6203-PDB](#) [027-6203-PDB](#) [069159702701000](#) [10123981-102LF](#) [101A10019X](#) [55650-0588-C](#) [68682-310LF](#) [68684-306](#) [75140-7012](#) [87471-650](#) [YTW-30-07-H-Q-410-140](#) [194261-1](#) [FCN-268F024-G0D](#) [10124054-515LF](#) [68685-603](#) [8-1616154-3](#) [MIS-019-01-F-D](#) [FCN-268M024-G/3D](#) [FCN-268M036-G/BD](#) [20021832-06016C1LF](#) [KX15-20KLDL-E1000E](#) [AXE810124](#) [FCN-214J100-G/0](#) [FCN-230C068-E/S](#) [AXE812124](#) [AXE816124](#) [AXE720127](#) [354184](#) [MIT-019-04-F-D-K](#) [P50-028-DDS-TG](#)