

PLEASE CHECK WWW.MOLEX.COM FOR LATEST PART INFORMATION

Part Number: **0539275019**
Status: **Active**
Overview: CompactFlash™
Description: 1.27mm Pitch CF Card Header - Right Angle, Surface Mount Reverse Mounting For Type I Cards, Tray Packaging

Documents:

[3D Model](#) [Product Specification PS-55022-004-001 \(PDF\)](#)
[Drawing \(PDF\)](#) [RoHS Certificate of Compliance \(PDF\)](#)

General

Product Family Memory Card Sockets
Series [53927](#)
Overview [CompactFlash™](#)
Product Name CompactFlash
Style Guide and Holder
UPC 822348186747

Physical

Card Detection Switch N/A
Card Entry Location Front
Circuits (Loaded) 50
Color - Resin Natural
Durability (mating cycles max) 10000
Ejector Button Side N/A
Material - Contact Copper Alloy
Material - Plating Mating Gold over Palladium Nickel
Material - Resin High Temperature Thermoplastic
Net Weight 3292.000/mg
PCB Retention Yes
Packaging Type Tray
Pitch - Mating Interface 1.27mm
Temperature Range - Operating -20°C to +90°C
Termination Interface: Style Surface Mount

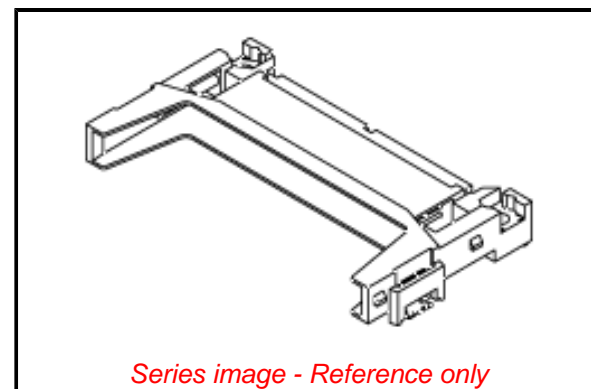
Electrical

Current - Maximum per Contact 0.5A
Voltage - Maximum 100V AC (RMS)
Voltage Key 3.3V, 5.0V

Material Info

Reference - Drawing Numbers

Product Specification PS-55022-004-001
Sales Drawing SD-53927-001



Series image - Reference only

EU ELV

Not Relevant

EU RoHS

Compliant

REACH SVHC

Not Contained Per -
ED/30/2017 (7 July
2017)

Halogen-Free

Status

Low-Halogen

**Need more information on product
environmental compliance?**

Email productcompliance@molex.com
Please visit the [Contact Us](#) section for any
non-product compliance questions.

China ROHS	Green Image
ELV	Not Relevant
RoHS Phthalates	Not Contained

Search Parts in this Series

[53927](#) Series

Mates With

[67003](#) , [67114](#) , Industry Standard CF Card

Use With

[55021](#) , [55022](#)

X-ON Electronics

Largest Supplier of Electrical and Electronic Components

Click to view similar products for [Memory Card Connectors](#) category:

Click to view products by [Molex](#) manufacturer:

Other Similar products are found below :

[M21-033321-005](#) [6407-249V-25273P](#) [6407-249V-25343P](#) [6426-201-21343](#) [69.920.0553.0](#) [FCN-568P068-G/07-4V](#) [809180410000000](#)
[N7E50-7516PG-20-WF](#) [2041353-2](#) [33CFAE-DN](#) [502431-1011](#) [EN2997S61212BN](#) [EN2997SE61212BN](#) [617230001](#) [95622-003LF](#) [N7E50-](#)
[U516RB-50-SIN0005](#) [95079-00CALF](#) [33DVIR-29S12R](#) [125A-78C00](#) [MI20A-50PD-SF-EJL\(71\)](#) [KP10S-SF-PEJ\(812\)](#) [504536-0691](#) [504580-](#)
[0691](#) [CCM03-3109 B LFT](#) [MI21-50PD-SF\(91\)](#) [2309923-1](#) [61126-050CAHLF](#) [IC1GA-68PD-1.27DS-EJ\(72\)](#) [GTFP08432B1HR](#)
[G85DT17001P1EU](#) [G85B21611142HHR](#) [GSD090144HR](#) [G85D1140022P1HR](#) [GMCB05801124EU](#) [G85C11101152HHR](#)
[G85B231021B1HR](#) [G85D1160022HHR](#) [055036006202862+](#) [112K-TAA0-RA1](#) [115S-ACA2](#) [115S-ACA3](#) [115S-BS00](#) [115S-BT00](#) [115V-](#)
[AD00](#) [MCSP-Q1-08-A-SG-T/R](#) [503960-0695](#) [101B-TAA0-R](#) [101D-TAAA-R01](#) [101D-TAAB-R01](#) [104D-TCA0-R06](#)