

**PLEASE CHECK WWW.MOLEX.COM FOR LATEST PART INFORMATION**

**Part Number:** **0539275078**  
**Status:** **Active**  
**Overview:** CompactFlash™  
**Description:** 1.27mm Pitch CF Card Header - Right Angle, Surface Mount Reverse Mounting For Type I Cards, Embossed Tape Packaging

**Documents:**

[3D Model](#) [Product Specification PS-55022-004-001 \(PDF\)](#)  
[Drawing \(PDF\)](#) [RoHS Certificate of Compliance \(PDF\)](#)

**General**

Product Family Memory Card Sockets  
 Series 53927  
 Overview CompactFlash™  
 Product Name CompactFlash  
 Style Guide and Holder  
 UPC 822348186730

**Physical**

Card Detection Switch N/A  
 Card Entry Location Front  
 Circuits (Loaded) 50  
 Color - Resin Natural  
 Durability (mating cycles max) 10000  
 Ejector Button Side N/A  
 Material - Contact Copper Alloy  
 Material - Plating Mating Gold over Palladium Nickel  
 Material - Resin High Temperature Thermoplastic  
 Net Weight 3292.000/mg  
 PCB Retention Yes  
 Packaging Type Embossed Tape on Reel  
 Pitch - Mating Interface 1.27mm  
 Temperature Range - Operating -20°C to +90°C  
 Termination Interface: Style Surface Mount

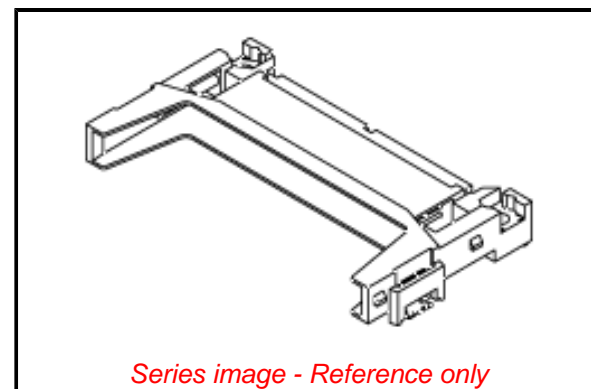
**Electrical**

Current - Maximum per Contact 0.5A  
 Voltage - Maximum 100V AC (RMS)  
 Voltage Key 3.3V, 5.0V

**Material Info**

**Reference - Drawing Numbers**

Product Specification PS-55022-004-001  
 Sales Drawing SD-53927-001, SD-53927-002



*Series image - Reference only*

**EU ELV**

**Not Relevant**

**EU RoHS**

**Compliant**

**REACH SVHC**

Not Contained Per  
 -ED/01/2017 (12  
 January 2017)

**Halogen-Free**

**Status**

**Low-Halogen**

**Need more information on product environmental compliance?**

Email [productcompliance@molex.com](mailto:productcompliance@molex.com)  
 Please visit the [Contact Us](#) section for any non-product compliance questions.

China ROHS

ELV

RoHS Phthalates

Green Image

Not Relevant

Not Contained

**Search Parts in this Series**

53927 Series

**Mates With**

67003 , 67114 , Industry Standard CF Card

**Use With**

55021 , 55022

## X-ON Electronics

Largest Supplier of Electrical and Electronic Components

*Click to view similar products for [Memory Card Connectors](#) category:*

*Click to view products by [Molex](#) manufacturer:*

Other Similar products are found below :

[M21-033321-005](#) [6407-249V-25273P](#) [6407-249V-25343P](#) [6426-201-21343](#) [69.920.0553.0](#) [FCN-568P068-G/07-4V](#) [809180410000000](#)  
[N7E50-7516PG-20-WF](#) [2041353-2](#) [33CFAE-DN](#) [502431-1011](#) [EN2997S61212BN](#) [EN2997SE61212BN](#) [95622-003LF](#) [95079-00CALF](#) [68-580163-21S](#) [33DVIR-29S12R](#) [125A-78C00](#) [MI20A-50PD-SF-EJL\(71\)](#) [KP10S-SF-PEJ\(812\)](#) [504536-0691](#) [504580-0691](#) [CCM03-3109 B LFT](#)  
[2309923-1](#) [61126-050CAHLF](#) [IC1GA-68PD-1.27DS-EJ\(72\)](#) [GTFP08432B1HR](#) [G85DT17001P1EU](#) [G85B21611142HHR](#) [GSD090144HR](#)  
[G85D1140022P1HR](#) [GMCB05801124EU](#) [G85C11101152HHR](#) [G85B231021B1HR](#) [G85D1160022HHR](#) [112K-TAA0-RA1](#) [115S-ACA2](#)  
[115S-ACA3](#) [115S-BS00](#) [115S-BT00](#) [115V-AD00](#) [MCSP-Q1-08-A-SG-T/R](#) [503960-0695](#) [101B-TAA0-R](#) [101D-TAAA-R01](#) [101D-TAAB-R01](#) [104D-TCA0-R06](#) [104B-TAA0-R](#) [112C-TBAR-R02](#) [114B-40B00-R02](#)