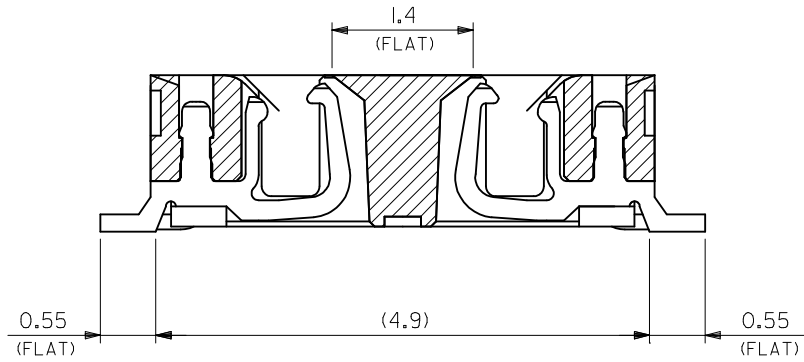


注記
NOTES:

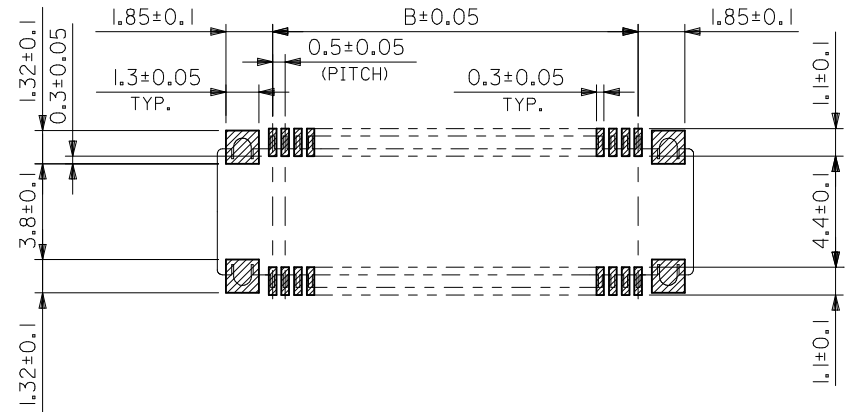
1. 材質
MATERIAL
ハウジング: LCP (液晶ポリマー)、ガラス充填、黒色、UL94V-0
HOUSING: LCP (LIQUID CRYSTAL POLYMER), GLASS FILLED, BLACK, UL94V-0
ターミナル: 銅合金 (t=0.15)
TERMINAL: COPPER ALLOY (t=0.15)
ネイル: 銅合金 (t=0.2)
NAIL: COPPER ALLOY (t=0.2)
2. メッキ仕様
PLATING
ターミナル
TERMINAL
接点部: 金メッキ 0.25マイクロメートル以上
CONTACT AREA: GOLD 0.25 MICROMETER MINIMUM
半田付け部: 金メッキ 0.4マイクロメートル以下
SOLDER TAIL AREA: GOLD 0.4 MICROMETER MAXIMUM
下地メッキ: ニッケルメッキ 1.5マイクロメートル以上
UNDER PLATING: NICKEL 1.5 MICROMETER MINIMUM
ネイル
NAIL
鍍メッキ 3.0マイクロメートル以上
Sn 3.0 MICROMETER MINIMUM
下地メッキ: ニッケルメッキ 1.0マイクロメートル以上
UNDER PLATING: Ni 1.0 MICROMETER MINIMUM
3. テール平坦度は、0.08ミリメートル以下。テールとネイルを併せた平坦度は、0.1ミリメートル以下。
TAIL COPLANARITY TO BE 0.08 MAXIMUM. TAILS AND NAILS COPLANARITY TO BE 0.1 MAXIMUM.
4. 嵌合相手: 55299-**** (H=3mm)
: 55201-****, 55650-**** (H=2mm)
MATED CONN.: 55299-**** (H=3mm)
: 55201-****, 55650-**** (H=2mm)
5. この製品は54363-**01, (エンボス梱包品 54363-**08) の鉛フリー品です。
THIS PRODUCT IS 'LEAD FREE' OF 54363-**01, (EMBOSSED TAPE PKG 54363-**08)

40.5	41.9	39.5	43.9	54363-1678	54363-1671	160	—
35.5	36.9	34.5	38.9	54363-1478	54363-1471	140	○
30.5	31.9	29.5	33.9	54363-1278	54363-1271	120	○
28	29.4	27	31.4	54363-1178	54363-1171	110	○
25.5	26.9	24.5	28.9	54363-1078	54363-1071	100	○
23	24.4	22	26.4	54363-0978	54363-0971	90	—
20.5	21.9	19.5	23.9	54363-0878	54363-0871	80	○
18	19.4	17	21.4	54363-0778	54363-0771	70	○
15.5	16.9	14.5	18.9	54363-0678	54363-0671	60	○
13	14.4	12	16.4	54363-0578	54363-0571	50	○
10.5	11.9	9.5	13.9	54363-0478	54363-0471	40	○
8	9.4	7	11.4	54363-0378	54363-0371	30	○
5.5	6.9	4.5	8.9	54363-0278	54363-0271	20	○
D	C	B	A	エンボス梱包品 EMBOSSED TAPE PACKAGING	製品番号 MATERIAL NO.	極数 CIRCUITS	量産対応 AVAILABLE

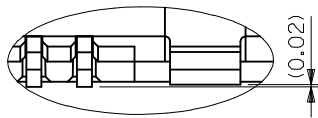
REVISED EC NO: J2016-0601 DRWN: JFURUKAWA 2015/12/08 CHKD: TASAKAWA 2015/12/08 APPR: KMORI KAWA 2015/12/16	GENERAL TOLERANCES (UNLESS SPECIFIED)			DIMENSION STYLE MM ONLY		SCALE 10:1	DESIGN UNITS METRIC	THIRD ANGLE PROJECTION
	0.25 UNDER	UNDER	±0.03	DRAWN BY A. IDA	DATE 2004/01/06	TITLE 0.5 PITCH B/B CONN. REC. HOUSING ASSY (H=2,3) WITH NAIL -LEAD FREE-		
	0.25 OVER	0.5 UNDER	±0.05	CHECKED BY H. TAKASE	DATE 2004/01/06	molex		
	0.5 OVER	1.0 UNDER	±0.1	APPROVED BY	DATE			
	1.0 OVER	10 UNDER	±0.2	MATERIAL NO. SEE CHART		DOCUMENT NO. SD-54363-038	SHEET NO. 1 OF 2	
10 OVER	30 UNDER	±0.25	SIZE A3		THIS DRAWING CONTAINS INFORMATION THAT IS PROPRIETARY TO MOLEX ELECTRONIC TECHNOLOGIES, LLC AND SHOULD NOT BE USED WITHOUT WRITTEN PERMISSION			
30 OVER		±0.3	DRAFT WHERE APPLICABLE MUST REMAIN WITHIN DIMENSIONS					



製品断面図 (半田付け部、吸着面寸法)
 DETAIL FOR SOLDERING AND VACUUM AREA



推奨基板寸法
 RECOMMENDED PCB PATTERN LAYOUT
 (SCALE:5-1)

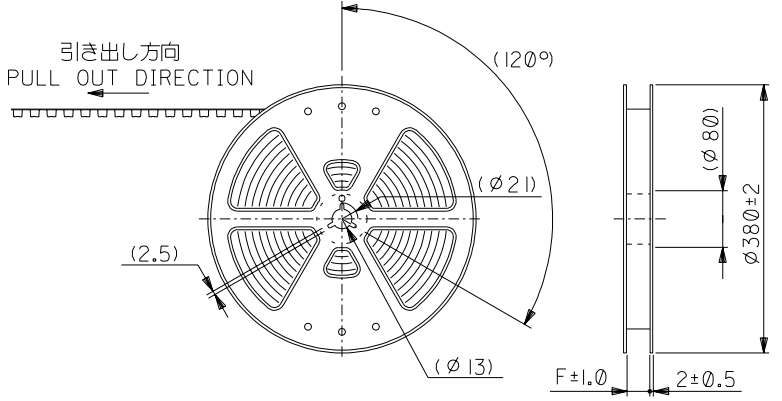


上部詳細
 DETAIL T

REVISED EC NO: J2016-0601 DRWN: JFURUKAWA 2015/12/08 CHKD: TASAKAWA 2015/12/08 APPR: KMORIKAWA 2015/12/16	GENERAL TOLERANCES (UNLESS SPECIFIED)			DIMENSION STYLE MM ONLY		SCALE 20:1	DESIGN UNITS METRIC	THIRD ANGLE PROJECTION	
	0.25 UNDER	UNDER	±0.03	DRAWN BY A. IDA	DATE 2004/01/06	TITLE 0.5 PITCH B/B CONN. REC. HOUSING ASSY (H=2,3) WITH NAIL -LEAD FREE-			
	0.25 OVER	0.5 UNDER	±0.05	CHECKED BY H. TAKASE	DATE 2004/01/06				
	0.5 OVER	1.0 UNDER	±0.1	APPROVED BY		DATE	molex DOCUMENT NO. SD-54363-038 SHEET NO. 2 OF 2		
	1.0 OVER	30 UNDER	±0.2	MATERIAL NO.		DATE			
30 OVER		±0.3	SEE CHART			THIS DRAWING CONTAINS INFORMATION THAT IS PROPRIETARY TO MOLEX ELECTRONIC TECHNOLOGIES, LLC AND SHOULD NOT BE USED WITHOUT WRITTEN PERMISSION			
ANGULAR ±3 °			DRAFT WHERE APPLICABLE MUST REMAIN WITHIN DIMENSIONS		SIZE A3				

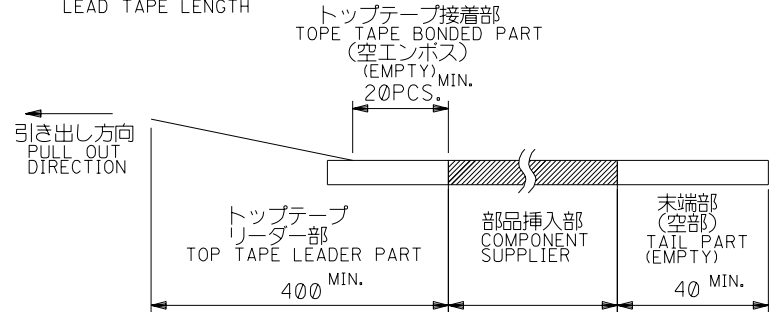
DWG. NO. SD-54363-039

8 7 6 5 4 3 2 1



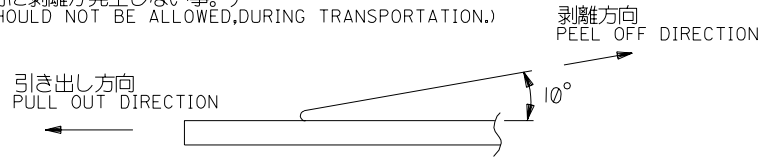
注)
NOTES

- 製品番号 54363-**71 詳細寸法については、製品単体図面を参照下さい。
IN THE PACKAGE PART NUMBER 54363-**71 DETAILED DIMENSIONS, SEE SALES DRAWING FOR CONNECTOR.
- 梱包数量：2500個/リール
NUMBER OF CONNECTORS:2500 PCS/REEL.
- リードテープ長さ
LEAD TAPE LENGTH



- トップテープの剥離強度：(剥離方向は下図参照)
PEELING OFF FORCE OF TOP TAPE (PELLING DIRECTION AS SHOWN IN FOLLOWING FIGURE.)
0.1~1.3N (10~130gf)

尚、本規格値は、出荷時に適用。
THIS REQUIREMENT SHOULD BE APPLIED AT SHIPMENT.
(但し、輸送時に剥離が発生しない事。)
(PEEL OFF SHOULD NOT BE ALLOWED, DURING TRANSPORTATION.)



- 材料
MATERIAL
キャリアテープ：ポリプロピレン (PP)
CARRIER TAPE:POLYPROPYLENE(PP)
トップテープ：PET, PE, PEF
TOP TAPE:PET,PE,PEF
リール：ポリスチレン
REEL : POLYSTYRENE
- この製品は54363-**01, (エンボス梱包品 54363-**08)の鉛フリー品です。
THIS PRODUCT IS 'LEAD FREE' OF 54363-**01, (EMBOSSED TAPE PKG 54363-**08)

DO NOT SCALE DRAWING

EC NO. DRWN: CHK: APPR:	EC NO. DRWN: CHK: APPR:	EC NO. DRWN: CHK: APPR:	REVISED ECNNO. J2004-2225 DRWN: A.IDA '04/02/02 CHK: H.TAKASE APPR: MIYAZAWA/YO.ITO	RELEASED ECNNO. J2004-1740 DRWN: A.IDA '04/01/06 CHK: H.TAKASE APPR: MIYAZAWA/YO.ITO	MATERIAL 材料 注記参照 SEE NOTES	GENERAL TOLERANCES: (UNLESS SPECIFIED) 一般公差	SCALE NONE	DESIGN UNITS <input checked="" type="checkbox"/> mm <input type="checkbox"/> INCH	THIRD ANGLE PROJECTION	DIMENSIONS: <input type="checkbox"/> mm <input type="checkbox"/> INCH <input checked="" type="checkbox"/> mm ONLY	SHT REVISE ON CAD ONLY	REV
			A	0	FINISH 仕上げ 注記参照 SEE NOTES	10 UNDER 未滿	±0.2	DRAWN BY & DATE A. Iida '04/01/06	TITLE: 54363-**71 TAPING PACKAGE -LEAD FREE-			
					WIRE RANGE 適用層線範囲	10 OVER 以上	±0.25	CHECKED BY & DATE H. Takase '04/01/06				
					INS. RANGE 被覆外径	30 UNDER 未滿	±0.3	APPROVED BY & DATE Y. Maruo / Y.Ito '04/01/06	MOLEX MOLEX INCORPORATED			
						ANGLE 角度	±3°	CAD FILENAME SD-54363-039.S01	MATERIAL NO. SEE CHART	DRAWING NO. SD-54363-039	SHEET NO. 1 OF 2	SIZE B
THIS DRAWING CONTAINS INFORMATION THAT IS PROPRIETARY TO MOLEX INCORPORATED AND SHOULD NOT BE USED WITHOUT WRITTEN PERMISSION.										EN-02J(097) MXJ-54		

8 7 6 5 4 3 2 1

F
E
D
C
B
A

54363039.S01

DWG. NO.
SD-54363-039

F

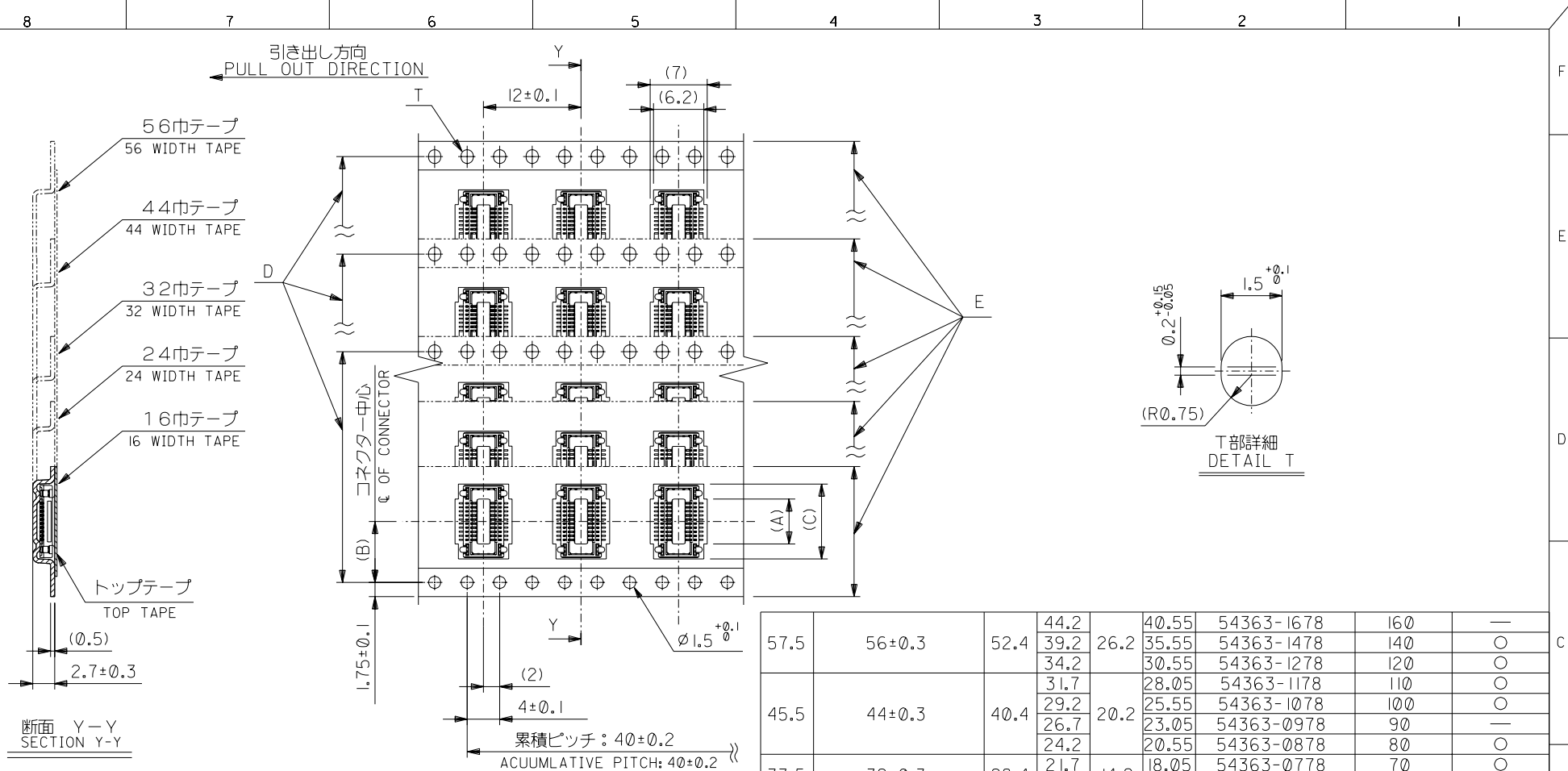
D

V

C

B

DO NOT SCALE DRAWING



57.5	56±0.3	52.4	44.2	26.2	40.55	54363-1678	160	—
			39.2		35.55	54363-1478	140	○
			34.2		30.55	54363-1278	120	○
45.5	44±0.3	40.4	31.7	20.2	28.05	54363-1178	110	○
			29.2		25.55	54363-1078	100	○
			26.7		23.05	54363-0978	90	—
			24.2		20.55	54363-0878	80	○
33.5	32±0.3	28.4	21.7	14.2	18.05	54363-0778	70	○
			19.2		15.55	54363-0678	60	○
			16.7		13.05	54363-0578	50	○
25.5	24±0.3	—	14.2	11.5	10.55	54363-0478	40	○
			11.7		8.05	54363-0378	30	○
17.5	16±0.3	—	9.2	7.5	5.55	54363-0278	20	○
F	E キャリアテープ幅 CARRIER TAPE WIDTH	D	(C)	(B)	(A)	製品番号 MATERIAL NO.	極数 CIRCUITS	量産対応 AVAILABLE

EC NO. DRWN: CHK: APPR:	EC NO. DRWN: CHK: APPR:	EC NO. DRWN: CHK: APPR:	EC NO. DRWN: CHK: APPR:	EC NO. DRWN: CHK: APPR:	SEE SHEET 1 OF 2 ECNNO. DRWN: CHK: APPR:	DESCRIPTION MATERIAL 材料 —	GENERAL TOLERANCES: (UNLESS SPECIFIED) — 公差	SCALE NONE	DESIGN UNITS mm <input checked="" type="checkbox"/> INCH <input type="checkbox"/>	THIRD ANGLE PROJECTION <input checked="" type="checkbox"/> mm <input type="checkbox"/> INCH	TITLE: 54363-***71 TAPING PACKAGE -LEAD FREE-
						FINISH 仕上げ —	10 UNDER 未滿	±0.2	DRAWN BY & DATE A. Iida '04/01/06		
						WIRE RANGE 適用電線範囲 —	10 OVER 以上	±0.25	CHECKED BY & DATE S. Takase '04/01/06		
						INS. RANGE 被覆外径 —	30 OVER 以上	±0.3	APPROVED BY & DATE J. Muraw / Y. Ota '04/01/06		
						REV	ANGLE 角度	±3°	CAD FILENAME SD-54363-039.S02	MATERIAL NO. SEE CHART	

SHT	REV
2	1
DIMENSIONS: <input type="checkbox"/> mm <input type="checkbox"/> INCH <input checked="" type="checkbox"/> mm ONLY	
MATERIAL NO. SD-54363-039	
SHEET NO. 2	
THIS DRAWING CONTAINS INFORMATION THAT IS PROPRIETARY TO MOLEX INCORPORATED AND SHOULD NOT BE USED WITHOUT WRITTEN PERMISSION.	
SIZE B	EN-02J(097) MXJ-54

X-ON Electronics

Largest Supplier of Electrical and Electronic Components

Click to view similar products for [Board to Board & Mezzanine Connectors](#) category:

Click to view products by [Molex](#) manufacturer:

Other Similar products are found below :

[589158040000018](#) [MDF7C-18P-2.54DSA\(55\)](#) [FCN-230C068-11](#) [FCN-268F012-G/BD](#) [FCN-268F036-G/BD](#) [FCN-268M012-G/0D](#) [FCN-268M024-G/1D](#) [FCN-723J004/1](#) [MIS-048-01-F-D-DP-K](#) [832-10-034-10-001000](#) [FX4C-80S-1.27DSA](#) [FCN-214Q030-G/0](#) [FCN-234P048-G/0](#) [FCN-235D050-G/C](#) [2-22603-0](#) [AXG720047](#) [5031084030](#) [MIT-114-03-F-D-K](#) [55323-1519](#) [YFT-20-05-H-03-SB-K](#) [503308-3040](#) [026-6203-PDB](#) [027-6203-PDB](#) [069159702701000](#) [10123981-102LF](#) [101A10019X](#) [55650-0588-C](#) [68682-310LF](#) [68684-306](#) [75140-7012](#) [87471-650](#) [194261-1](#) [FCN-268F024-G0D](#) [10124054-515LF](#) [68685-603](#) [8-1616154-3](#) [MIS-019-01-F-D](#) [FCN-268M024-G/3D](#) [FCN-268M036-G/BD](#) [20021832-06016C1LF](#) [KX15-20KLDL-E1000E](#) [AXE810124](#) [FCN-214J100-G/0](#) [FCN-230C068-E/S](#) [AXE812124](#) [AXE816124](#) [AXE720127](#) [354184](#) [MIT-019-04-F-D-K](#) [P50-028-DDS-TG](#)