

PLEASE CHECK WWW.MOLEX.COM FOR LATEST PART INFORMATION

Part Number: [0545480533](#)
Status: **Active**
Overview: [Easy-On FFC FPC Connectors](#)
Description: 0.50mm Pitch Easy-On FFC/FPC Connector, 1.20mm Height, Right-Angle, Surface Mount, ZIF, Bottom Contact Style, 5 Circuits

Documents:

3D Model	Product Specification PS-54548-042-001 (PDF)
3D Model (PDF)	Packaging Specification SPK-54548-001-001 (PDF)
Drawing (PDF)	RoHS Certificate of Compliance (PDF)

Agency Certification

UL E29179

General

Product Family	FFC/FPC Connectors
Series	54548
Comments	Black Actuator
Overview	Easy-On FFC FPC Connectors
Product Name	Easy-On
UPC	887191532608

Physical

Actuator Type	Slider
Circuits (Loaded)	5
Color - Resin	Natural (White)
Contact Position	Bottom
Durability (mating cycles max)	20
Mated Height	1.20mm
Material - Metal	Phosphor Bronze
Material - Plating Mating	Tin-Silver-Bismuth
Material - Plating Termination	Tin-Silver-Bismuth
Material - Resin	Liquid Crystal Polymer
Net Weight	46.202/mg
Number of Rows	1
Orientation	Right Angle
PCB Locator	No
PCB Mounting	Surface Mount
PCB Retention	Yes
Packaging Type	Embossed Tape on Reel
Pitch - Mating Interface	0.50mm
Plating min - Mating	1.016µm
Plating min - Termination	1.016µm
Polarized to PCB	Yes
Stackable	No
Temperature Range - Operating	-20° to +85°C
Wire/Cable Type	FFC/FPC

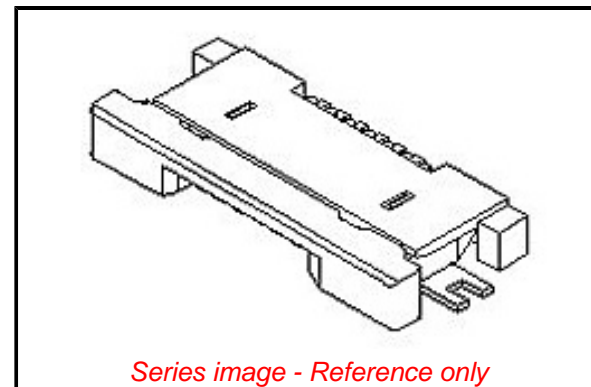
Electrical

Current - Maximum per Contact	0.5A
Voltage - Maximum	50V

Material Info

Reference - Drawing Numbers

Packaging Specification	SPK-54548-001-001
Product Specification	PS-54548-042-001
Sales Drawing	SD-54548-043-001, SD-54548-044-001



EU ELV

Not Relevant

EU RoHS

Compliant

REACH SVHC

Not Contained Per -
D(2020)9139-DC (19
Jan 2021)

Halogen-Free

Status

Not Low-Halogen

For more information, please visit [Contact US](#)

China ROHS

ELV

RoHS Phthalates

China RoHS

Green Image

Not Relevant

Not Contained

Search Parts in this Series

[54548 Series](#)

This document was generated on 07/07/2021

PLEASE CHECK WWW.MOLEX.COM FOR LATEST PART INFORMATION

X-ON Electronics

Largest Supplier of Electrical and Electronic Components

Click to view similar products for [FFC & FPC Connectors](#) category:

Click to view products by [Molex](#) manufacturer:

Other Similar products are found below :

[006200057032800+](#) [006200097012800+](#) [006200307032800+](#) [006200505130000+](#) [006200506130000+](#) [006200509130000+](#) [00 6200 510 130](#)
[000+](#) [006200512230000](#) [006200514230000+](#) [006200516250000+](#) [006207332914000+](#) [006207332915000+](#) [006207341908000+](#)
[006207341914000](#) [006207341915000+](#) [006207341916000+](#) [006207341920000](#) [006208500016000+](#) [006208500026000+](#) [006208508110000](#)
[006208508110000+](#) [006208511210000+](#) [006208530410000+](#) [006224010001800+](#) [006226004001800+](#) [006232008006800+](#)
[006232011006800+](#) [006232012006800+](#) [006232020104800+](#) [006232028006800+](#) [006232030104800+](#) [006338020000040](#) [01P-LELSS-GA-](#)
[TF](#) [01R-LELSS-GA-TF](#) [046214006010846+](#) [046214010010846+](#) [046214020000800+](#) [046214020010800](#) [046214020010846+](#)
[046226005201800+](#) [046227004100800](#) [046227004100829+](#) [046227006100829+](#) [046227007100829+](#) [046227010100800+](#)
[046227014100829+](#) [046227016100800+](#) [046232104015800+](#) [046232110015800+](#) [046232110102800+](#)