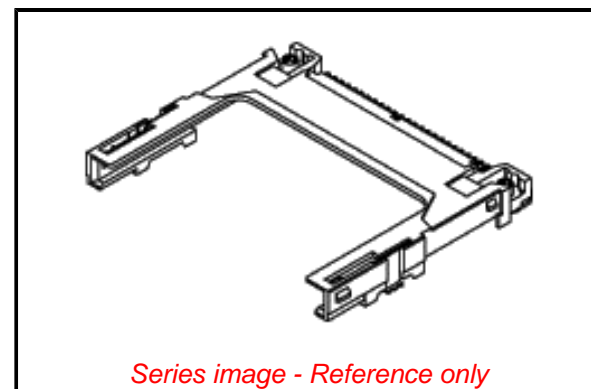


PLEASE CHECK WWW.MOLEX.COM FOR LATEST PART INFORMATION

Part Number: [0553595029](#)
Status: **Active**
Overview: CompactFlash™
Description: 1.27mm Pitch CF Card Header- Right-Angle, Surface Mount Bottom Mounting For Type I and II Cards

Documents:

3D Model	Product Specification PS-55546-005-001 (PDF)
Drawing (PDF)	Product Specification PS-55546-006-001 (PDF)
Product Specification PS-55359-016-001 (PDF)	Product Specification PS-55861-004-001 (PDF)
Product Specification PS-55359-017-001 (PDF)	RoHS Certificate of Compliance (PDF)



Agency Certification

UL E29179

General

Product Family	Memory Card Sockets
Series	55359
Overview	CompactFlash™
Product Name	CompactFlash
Style	Guide and Holder
UPC	822348186280

Physical

Card Detection Switch	N/A
Card Entry Location	Front
Circuits (Loaded)	50
Durability (mating cycles max)	10000
Ejector Button Side	N/A
Flammability	94V-0
Material - Contact	Copper Alloy
Material - Plating Mating	Gold over Nickel
Material - Plating Termination	Tin
Net Weight	3290.278/mg
PCB Retention	Yes
Packaging Type	Tray
Pitch - Mating Interface	1.27mm
Temperature Range - Operating	-20° to +90°C
Termination Interface: Style	Surface Mount

Electrical

Current - Maximum per Contact	0.5A
Voltage - Maximum	100V AC (RMS)
Voltage Key	3.3V, 5.0V

Material Info

Reference - Drawing Numbers

Product Specification	PS-55359-016-001, PS-55359-017-001, PS-55546-005-001, PS-55546-006-001, PS-55861-004-001
Sales Drawing	SD-55359-015

EU ELV

Not Relevant

EU RoHS

Compliant

REACH SVHC

Not Contained Per
-ED/88/2018 (15
January 2019)

Halogen-Free

Status

Low-Halogen

For more information, please visit [Contact US](#)

China ROHS

ELV

RoHS Phthalates

China RoHS

Green Image

Not Relevant

Not Contained

Search Parts in this Series

[55359](#) Series

Mates With

[67003](#) , [67114](#) , Industry Standard CF Card

Use With

[55356](#) Ejector, [55365](#) Ejector

X-ON Electronics

Largest Supplier of Electrical and Electronic Components

Click to view similar products for [Memory Card Connectors](#) category:

Click to view products by [Molex](#) manufacturer:

Other Similar products are found below :

[M21-033321-005](#) [6407-249V-25273P](#) [6407-249V-25343P](#) [6426-201-21343](#) [69.920.0553.0](#) [FCN-568P068-G/07-4V](#) [809180410000000](#)
[N7E50-7516PG-20-WF](#) [2041353-2](#) [33CFAE-DN](#) [502431-1011](#) [EN2997S61212BN](#) [EN2997SE61212BN](#) [95622-003LF](#) [95079-00CALF](#) [68-580163-21S](#) [33DVIR-29S12R](#) [125A-78C00](#) [MI20A-50PD-SF-EJL\(71\)](#) [KP10S-SF-PEJ\(812\)](#) [504536-0691](#) [504580-0691](#) [CCM03-3109 B LFT](#)
[2309923-1](#) [61126-050CAHLF](#) [IC1GA-68PD-1.27DS-EJ\(72\)](#) [GTFP08432B1HR](#) [G85DT17001P1EU](#) [G85B21611142HHR](#) [GSD090144HR](#)
[G85D1140022P1HR](#) [GMCB05801124EU](#) [G85C11101152HHR](#) [G85B231021B1HR](#) [G85D1160022HHR](#) [112K-TAA0-RA1](#) [115S-ACA2](#)
[115S-ACA3](#) [115S-BS00](#) [115S-BT00](#) [115V-AD00](#) [MCSP-Q1-08-A-SG-T/R](#) [503960-0695](#) [101B-TAA0-R](#) [101D-TAAA-R01](#) [101D-TAAB-R01](#) [104D-TCA0-R06](#) [104B-TAA0-R](#) [112C-TBAR-R02](#) [114B-40B00-R02](#)