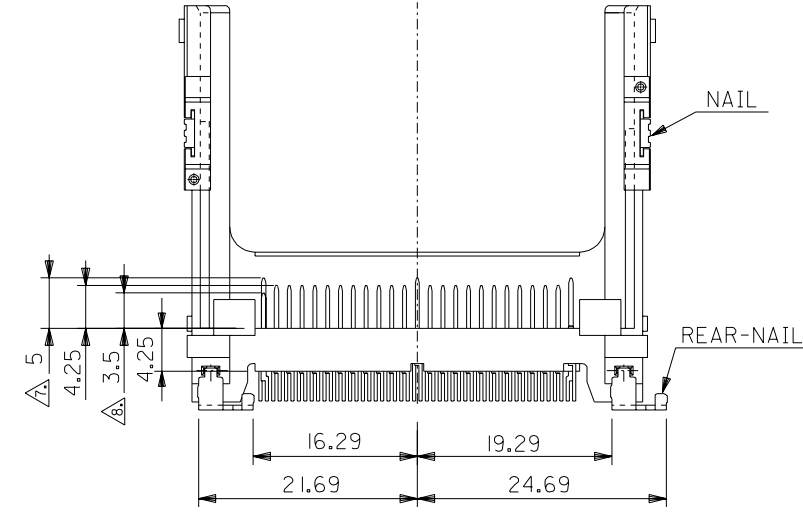
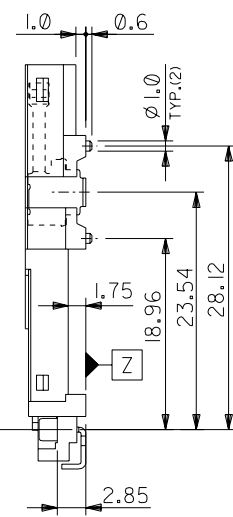
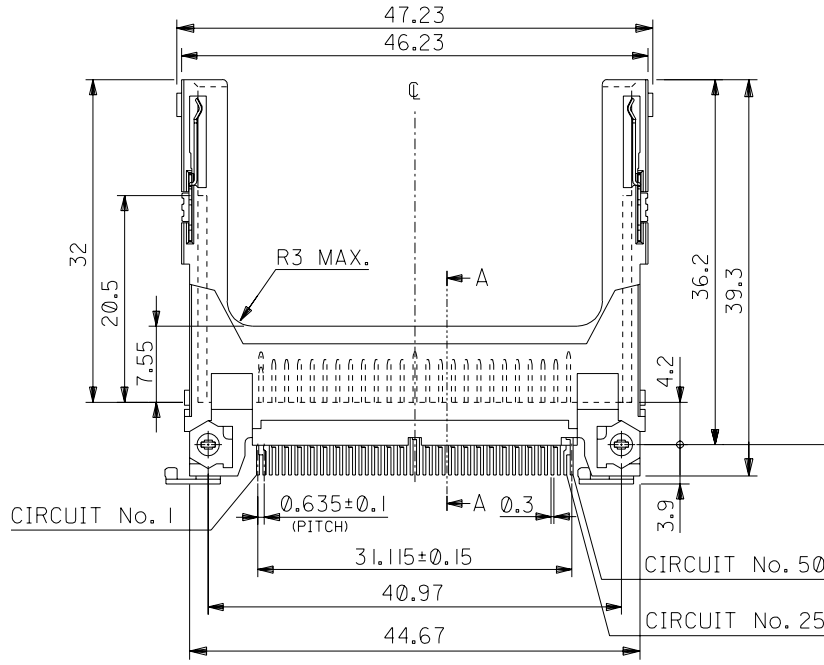
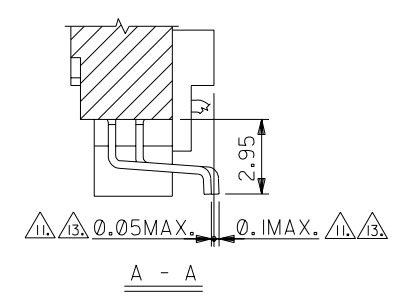
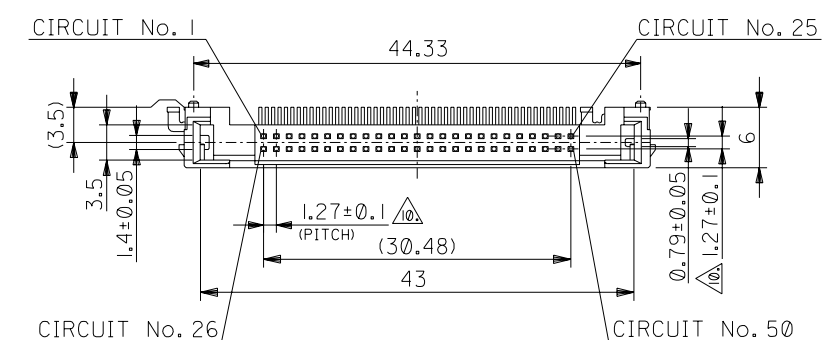


DO NOT SCALE DRAWING

DWG. NO. SD-55359-015



SEMI-HARD TRAY PACKAGE	55359-5027
SOFT TRAY PACKAGE	55359-5029
PACKING TRAY FORM	MATERIAL NO.

EC NO. DRWN: CHK: APPR:	EC NO. DRWN: CHK: APPR:	EC NO. DRWN: CHK: APPR:	EC NO. DRWN: CHK: APPR:	EC NO. DRWN: CHK: APPR:	RELEASED '04/03/22 EC NO. J2004-3249 DRWN: Y.SAKIYAMA CHK: M.SASAO APPR: M.SASAO	DESCRIPTION	MATERIAL 材料	SHEET 2 OF 2 参照 REFER TO SHEET 2 OF 2	GENERAL TOLERANCES: (UNLESS SPECIFIED) 一般公差	SCALE —	DESIGN UNITS <input checked="" type="checkbox"/> mm <input type="checkbox"/> INCH	THIRD ANGLE PROJECTION	DIMENSIONS: <input type="checkbox"/> mm <input type="checkbox"/> INCH <input checked="" type="checkbox"/> mm ONLY	SHT REV	REVISION CAD ONLY	
							FINISH 仕上付									SHEET 2 OF 2 参照 REFER TO SHEET 2 OF 2
							WIRE RANGE 適用線被範圍	—	10 OVER 以上	30 UNDER 未滿	±0.25	CHECKED BY & DATE H. Sasaki '04/03/22	MOLEX INCORPORATED	MATERIAL NO. SEE CHART	DRAWING NO. SD-55359-015	SHEET NO. 1 OF 2
						INS. RANGE 被覆外径	—	30 OVER 以上	±0.3	APPROVED BY & DATE M. Sasaki '04/03/22	ANGLE 角度	±3°				

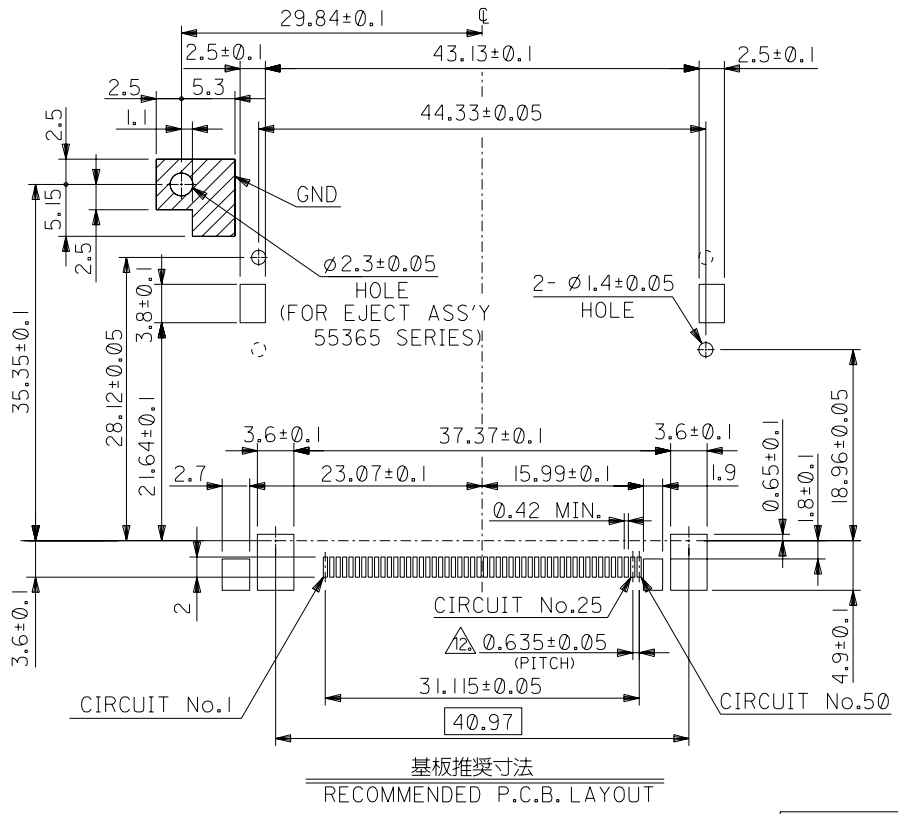
DWG. NO. SD-55359-015

- 注) 1. 材質 MATERIAL
 ハウジング: ガラス入りLCP UL94V-0
 HOUSING: LIQUID CRYSTAL POLYMER G.F. UL94V-0
 ピン: リン青銅
 PIN: PHOSPHOR BRONZE
 ネール: リン青銅 (t0.3)
 NAIL: PHOSPHOR BRONZE (t0.3)
 リヤネール: リン青銅 (t0.48)
 REAR-NAIL: PHOSPHOR BRONZE (t0.48)
2. メッキ仕様 PLATING
 ピン CONTACT AREA: GOLD OVER PALLADIUM-NICKEL PLATING
 半田付け部: 錫メッキ
 SOLDER TAIL AREA: TIN PLATING
 下地メッキ: ニッケルメッキ
 UNDER PLATING: NICKEL ALL OVER PLATING
 ネール CONTACT AREA: GOLD PLATING
 半田付け部: 錫メッキ
 SOLDER TAIL AREA: TIN PLATING
 下地メッキ: ニッケルメッキ
 UNDER PLATING: NICKEL ALL OVER PLATING
 リヤネール 錫メッキ
 REAR-NAIL TIN PLATING
 下地メッキ: ニッケルメッキ
 UNDER PLATING: NICKEL ALL OVER PLATING
3. 推奨基板厚 : t=0.8 MIN.
 RECOMMENDED P.C.B. THICKNESS: t=0.8 MIN.
4. 適合カード厚 RECOMMENDED CARD THICKNESS
 接続部: 3.3±0.1
 CONNECTING AREA: 3.3±0.1
5. 適合カード幅: 42.8±0.1
 RECOMMENDED CARD WIDTH: 42.8±0.1
6. ハウジング色: 黒
 HOUSING COLOR: BLACK
- △1. 寸法適用極: 1,13,38,50
 THIS DIMENSION APPLIES TO CIRCUIT NUMBERS 1,13,38 AND 50.
- △2. 寸法適用極: 25,26
 THIS DIMENSION APPLIES TO CIRCUIT NUMBERS 25 AND 26.
- △3. ピンの倒れは、ピン根元を基準に全方向へ0.1 MAX.とする。
 PIN TIP LEAN TOWARD ANY DIRECTION NOT TO EXCEED 0.1 WHEN MEASURED FROM PIN BASE.
- △4. ピン根元に適用する。
 THIS DIMENSION TO BE MEASURED AT PIN BASE.

- △1. ソルダータールは、Z面を基準とし上へ0.05下へ0.1の範囲にあり、且つソルダータールの平坦度は、0.1 MAX.とし、テール先端にて測定する。
 SOLDER TAILS TO BE WITHIN 0.05 UPWARD AND 0.1 DOWNWARD FROM Z-DATUM PLACE, AND COPLANARITY OF SOLDER TAILS TO BE WITHIN 0.1. MEASUREMENT POINT IS SOLDER TAILS TIP.
- △2. 公差非累積 NON-CUMULATIVE
- △3. テールとネール、リヤネールを併せた平坦度は、0.1 MAX.とする。
 TOTAL COPLANARITY OF SOLDER TAILS, NAILS AND REAR-NAILS TO BE 0.1 MAX.

14. 鉛フリー対応表
 CORRESPONDENCE TABLE OF LEAD FREE

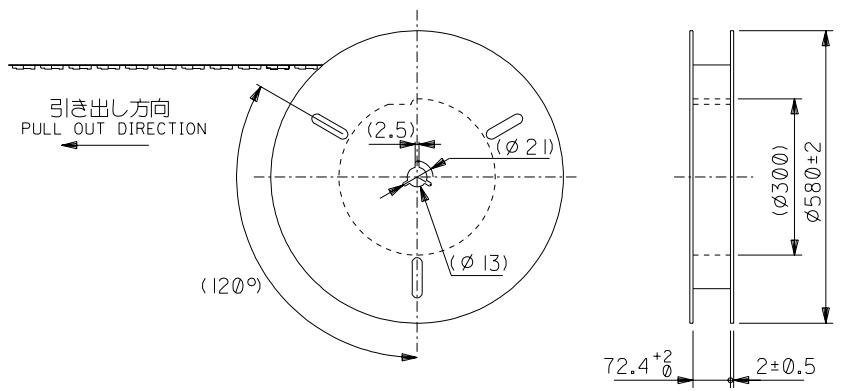
	SEMI-HARD TRAY PKG	SOFT TRAY PKG
半田品 LEAD CONTENT	55359 -5026	55359 -5021
鉛フリー品 LEAD FREE	55359 -5027	55359 -5029



DO NOT SCALE DRAWING

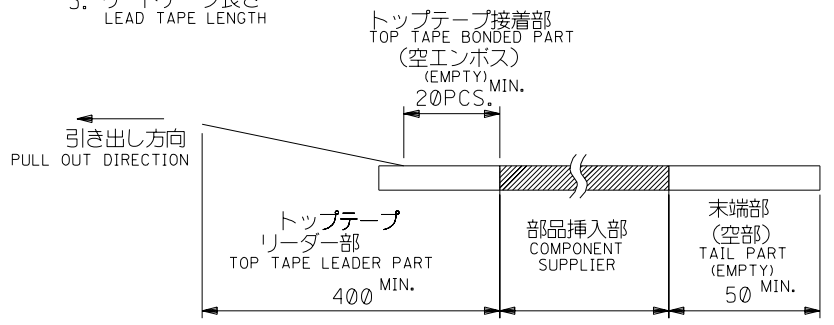
EC NO.		EC NO.		EC NO.		EC NO.		EC NO.		MATERIAL 材料	GENERAL TOLERANCES: (UNLESS SPECIFIED) 一般公差	SCALE	DESIGN UNITS	THIRD ANGLE PROJECTION	DIMENSIONS:		SHT	REV	
DRWN:	CHK:	DRWN:	CHK:	DRWN:	CHK:	DRWN:	CHK:	DRWN:	CHK:						mm	INCH			mm
										注記参照 SEE NOTES	10 UNDER 未満	±0.2	mm	INCH	<input type="checkbox"/> mm	<input type="checkbox"/> INCH			
										注記参照 SEE NOTES	10 OVER 30 UNDER 未満	±0.25	mm	INCH	<input type="checkbox"/> mm	<input type="checkbox"/> INCH			
										注記参照 SEE NOTES	30 OVER 以上	±0.3	mm	INCH	<input type="checkbox"/> mm	<input type="checkbox"/> INCH			
										WIRE RANGE 適用電線範囲	ANGLE 角度	±3°							
										INS. RANGE 被覆外径									
RELEASED '04/03/22 EC NO. J2004-3249 DRWN: Y.SAKIYAMA CHK: M.SASAO APPR: M.SASAO										TITLE: CF CARD CONN. 50P HEADER ASS'Y (TYPE I/II, REVERSE) -LEAD FREE-		MOLEX INCORPORATED		MATERIAL NO. SD-55359-015.S02		DRAWING NO. SD-55359-015		SHEET NO. 2 OF 2	
										THIS DRAWING CONTAINS INFORMATION THAT IS PROPRIETARY TO MOLEX INCORPORATED AND SHOULD NOT BE USED WITHOUT WRITTEN PERMISSION.									

DWG. NO. SD-55359-016



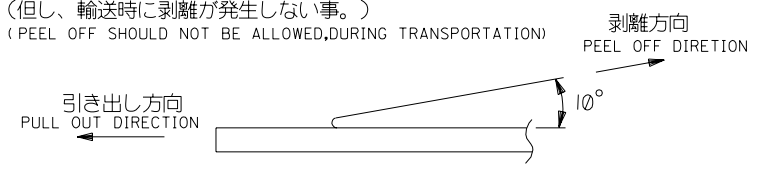
注)
NOTES

- 製品番号 55359-5029の詳細寸法については、SD-55359-015 を参照下さい。
IN THE PACKAGE, PART NO. 55359-5029 DETAILED DIMENSIONS, SEE SD-55359-015.
- 梱包数量 : 300 個/リール
NUMBER OF CONNECTORS : 300 PCS/REEL
- リードテープ長さ
LEAD TAPE LENGTH



- トップテープの剥離強度 : (剥離方向は下図参照)
PEELING OFF FORCE OF TOP TAPE (PEELING DIRECTION AS SHOWN IN FOLLOWING FIG.)
0.1~1.3N {10~130gf} : キャリアテープ幅 72mm
CARRIER TAPE WIDTH 72mm

尚、本規格値は、出荷時に適用。
THIS REQUIREMENT SHOULD BE APPLIED AT SHIPMENT
(但し、輸送時に剥離が発生しない事。)
(PEEL OFF SHOULD NOT BE ALLOWED, DURING TRANSPORTATION)



- 材料
MATERIAL
キャリアテープ : ポリプロピレン (PP)
CARRIER TAPE : POLYPROPYLENE (PP)
トップテープ : PET, PE, PEF
TOP TAPE : PET, PE, PEF
リール : 紙
REEL : CARD BOARD

- 本製品は55359-5028の鉛フリー品である。
THIS PRODUCT IS LEAD FREE OF 55359-5028.

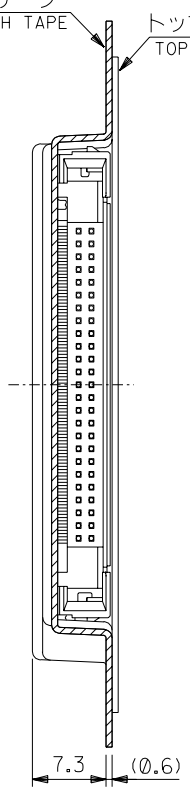
DO NOT SCALE DRAWING

EC NO. DRWN: CHK: APPR:		EC NO. DRWN: CHK: APPR:		EC NO. DRWN: CHK: APPR:		EC NO. DRWN: CHK: APPR:		EC NO. DRWN: CHK: APPR:		RELEASED '04/03/22 EC NO. J2004-3249 DRWN: Y.SAKIYAMA CHK: M.SASAO APPR: M.SASAO		MATERIAL 材料 注記参照 SEE NOTES		GENERAL TOLERANCES: (UNLESS SPECIFIED) 一般公差		55359-**78 SCALE: --- DESIGN UNITS: <input checked="" type="checkbox"/> mm <input type="checkbox"/> INCH		MODEL NO.		DIMENSIONS: <input type="checkbox"/> mm <input type="checkbox"/> INCH <input checked="" type="checkbox"/> mm ONLY		SHT REV REVISION ON CAD ONLY					
												FINISH 仕上げ #		10 UNDER 未満 ±0.2 Y. Sakiyama '04/03/22		TITLE: EMBSTP PKG FOR CF CARD CONN. 50P HEADER ASSY -LEAD FREE-		MOLEX MOLEX INCORPORATED		CAD FILENAME SD-55359-016.S01		MATERIAL NO. SEE CHART		DRAWING NO. SD-55359-016		SHEET NO. 1 OF 2	
												WIRE RANGE 適用電線範囲 #		30 OVER 30 UNDER 未満 ±0.25 H. Sasaki '04/03/22		MOLEX MOLEX INCORPORATED		CAD FILENAME SD-55359-016.S01		MATERIAL NO. SEE CHART		DRAWING NO. SD-55359-016		SHEET NO. 1 OF 2			
												INS. RANGE 被覆外径 #		30 OVER 以上 ±0.3 H. Sasaki '04/03/22		MOLEX MOLEX INCORPORATED		CAD FILENAME SD-55359-016.S01		MATERIAL NO. SEE CHART		DRAWING NO. SD-55359-016		SHEET NO. 1 OF 2			
												ANGLE 角度 ±3°		THIS DRAWING CONTAINS INFORMATION THAT IS PROPRIETARY TO MOLEX INCORPORATED AND SHOULD NOT BE USED WITHOUT WRITTEN PERMISSION.		MOLEX MOLEX INCORPORATED		CAD FILENAME SD-55359-016.S01		MATERIAL NO. SEE CHART		DRAWING NO. SD-55359-016		SHEET NO. 1 OF 2			

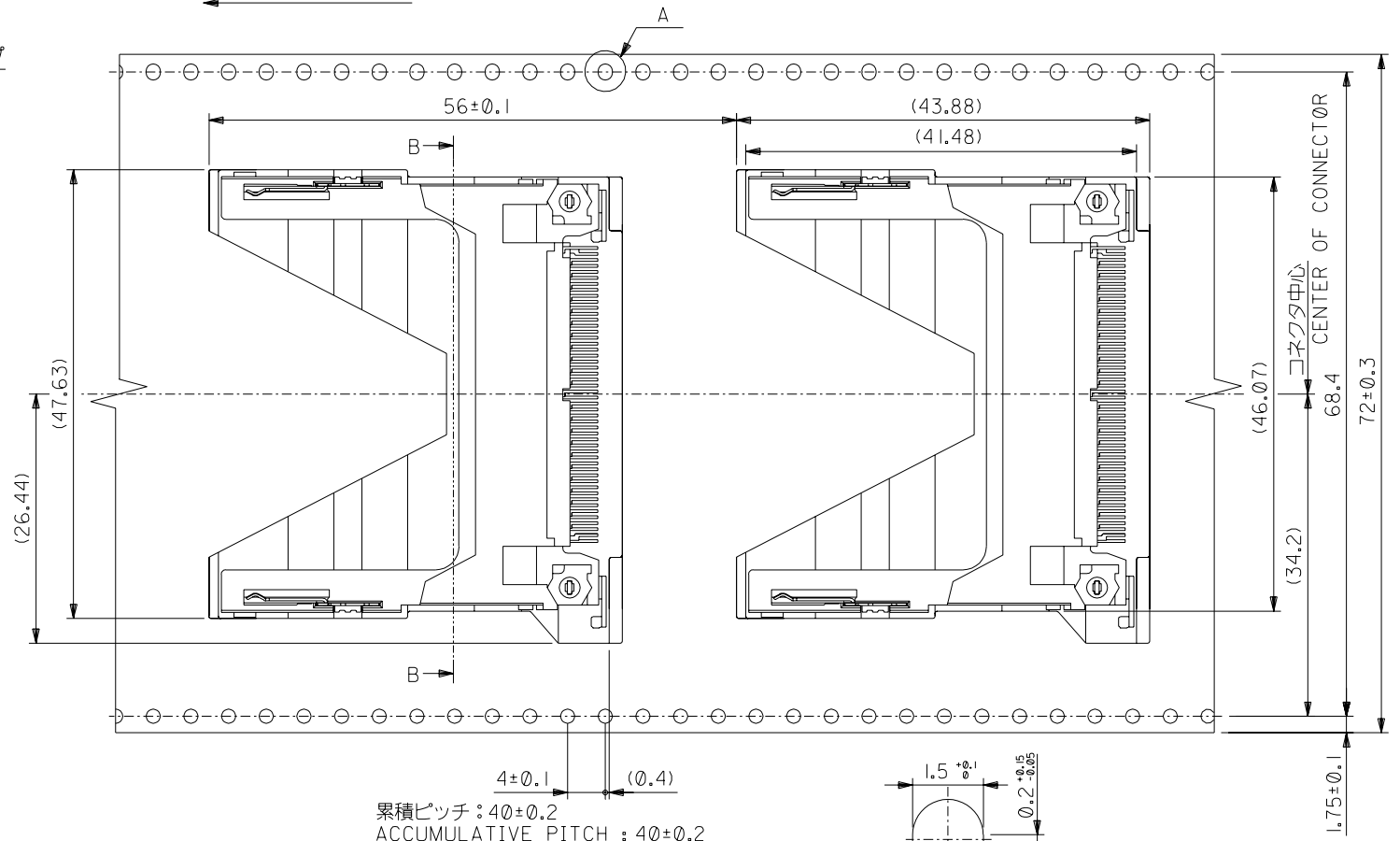
DWG. NO. SD-55359-016

72巾テープ
72 WIDTH TAPE
トップテープ
TOP TAPE

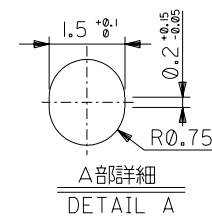
引き出し方向
PULL OUT DIRECTION



断面 B-B
SECTION B-B



累積ピッチ: 40±0.2
ACCUMULATIVE PITCH: 40±0.2



A部陪詳細
DETAIL A

DO NOT SCALE DRAWING

EC NO. DRWN: CHK: APPR:		EC NO. DRWN: CHK: APPR:		EC NO. DRWN: CHK: APPR:		EC NO. DRWN: CHK: APPR:		EC NO. DRWN: CHK: APPR:		RELEASED '04/03/22 EC NO. J2004-3249 DRWN: Y.SAKIYAMA CHK: M.SASAO APPR: M.SASAO		MATERIAL 材料 SHEET 1 OF 2 参照 REFER TO SHEET 1 OF 2		GENERAL TOLERANCES: (UNLESS SPECIFIED) 一般公差		55359-**-78 SCALE: --- DESIGN UNITS: <input checked="" type="checkbox"/> mm <input type="checkbox"/> INCH		MODEL NO. THIRD ANGLE PROJECTION		DIMENSIONS: <input type="checkbox"/> mm <input type="checkbox"/> INCH <input checked="" type="checkbox"/> mm ONLY		SHT REVISE ON CAD ONLY	
												FINISH 仕上け --		10 UNDER 未滿 ±0.2 10 OVER 30 UNDER 未滿 ±0.25 30 OVER 以上 ±0.3		DRAWN BY & DATE Y.Sakiyama '04/03/22		TITLE: EMBSTP PKG FOR CF CARD CONN. 50P HEADER ASSY -LEAD FREE-					
												WIRE RANGE 適用電線範囲 --		ANGLE 角度 ±3°		APPROVED BY & DATE H. Sasaki '04/03/22		MOLEX INCORPORATED					
												INS. RANGE 被覆外径 --				CAD FILENAME SD-55359-016.S02		MATERIAL NO. SEE CHART		DRAWING NO. SD-55359-016		SHEET NO. 2 OF 2	
																		THIS DRAWING CONTAINS INFORMATION THAT IS PROPRIETARY TO MOLEX INCORPORATED AND SHOULD NOT BE USED WITHOUT WRITTEN PERMISSION.		SIZE B			

X-ON Electronics

Largest Supplier of Electrical and Electronic Components

Click to view similar products for [Memory Card Connectors](#) category:

Click to view products by [Molex](#) manufacturer:

Other Similar products are found below :

[M21-033321-005](#) [6407-249V-25273P](#) [6407-249V-25343P](#) [6426-201-21343](#) [69.920.0553.0](#) [FCN-568P068-G/07-4V](#) [809180410000000](#)
[N7E50-7516PG-20-WF](#) [2041353-2](#) [33CFAE-DN](#) [502431-1011](#) [EN2997S61212BN](#) [EN2997SE61212BN](#) [617230001](#) [95622-003LF](#) [N7E50-](#)
[U516RB-50-SIN0005](#) [95079-00CALF](#) [33DVIR-29S12R](#) [125A-78C00](#) [MI20A-50PD-SF-EJL\(71\)](#) [KP10S-SF-PEJ\(812\)](#) [504536-0691](#) [504580-](#)
[0691](#) [CCM03-3109 B LFT](#) [MI21-50PD-SF\(91\)](#) [2309923-1](#) [61126-050CAHLF](#) [IC1GA-68PD-1.27DS-EJ\(72\)](#) [GTFP08432B1HR](#)
[G85DT17001P1EU](#) [G85B21611142HHR](#) [GSD090144HR](#) [G85D1140022P1HR](#) [GMCB05801124EU](#) [G85C11101152HHR](#)
[G85B231021B1HR](#) [G85D1160022HHR](#) [055036006202862+](#) [112K-TAA0-RA1](#) [115S-ACA2](#) [115S-ACA3](#) [115S-BS00](#) [115S-BT00](#) [115V-](#)
[AD00](#) [MCSP-Q1-08-A-SG-T/R](#) [503960-0695](#) [101B-TAA0-R](#) [101D-TAAA-R01](#) [101D-TAAB-R01](#) [104D-TCA0-R06](#)