

| MATERIAL NO. | OLD PART NO. | THREAD SIZE | CABLE DIA. RANGE        | A           | B         | C           | ITEM 1 COLOR | ITEM 2 MATERIAL | ITEM 2 COLOR | ITEM 3 MATERIAL | ITEM 4 MATERIAL | ITEM 4 COLOR |
|--------------|--------------|-------------|-------------------------|-------------|-----------|-------------|--------------|-----------------|--------------|-----------------|-----------------|--------------|
| 1300980235   | 5620         | 3/4" NPT    | .187-.250 / 4.75-6.35   | 1.38 / 35.1 | 1 / 14-14 | 1.69 / 42.9 | GRAY         | NITRILE         | ORANGE       | HDPE            | NYLON           | GRAY         |
| 1300980236   | 5622         |             | .250-.375 / 6.35-9.53   |             |           |             |              |                 | GRAY         |                 |                 |              |
| 1300980225   | 5624         |             | .375-.437 / 9.53-11.10  |             |           |             |              |                 | GREEN        |                 |                 |              |
| 1300980096   | 5536         |             | .437-.562 / 11.10-14.27 |             |           |             |              |                 | BLACK        |                 |                 |              |
| 1300980103   | 5538         |             | .500-.625 / 12.70-15.87 |             |           |             |              |                 | GRAY         |                 |                 |              |
| 1300980112   | 5540         |             | .562-.687 / 14.27-17.45 |             |           |             |              |                 | GREEN        |                 |                 |              |
| 1300980118   | 5542         |             | .625-.750 / 15.87-19.05 |             |           |             |              |                 | ORANGE       |                 |                 |              |
| 1300980126   | 5544         |             | .687-.812 / 17.44-20.62 |             |           |             |              |                 | YELLOW       |                 |                 |              |

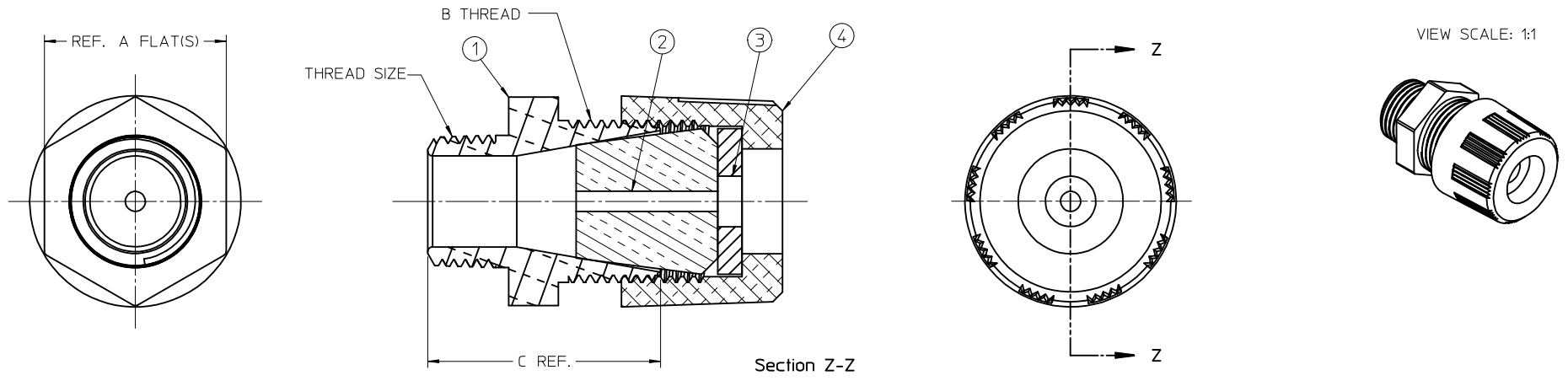
- NOTES:  
 1. MATERIAL: SEE TABLE  
 2. FINISHES: SEE TABLE  
 3. NEMA RATING: NEMA 3R  
 4. RoHS COMPLIANT: YES

OLD DOCUMENT NO. SD-130098-003

|         |   |       |         |  |  |         |  |                |  |                          |  |
|---------|---|-------|---------|--|--|---------|--|----------------|--|--------------------------|--|
| SYMBOLS | THIS DRAWING CONTAINS INFORMATION THAT IS PROPRIETARY TO MOLEX ELECTRONIC TECHNOLOGIES, LLC AND SHOULD NOT BE USED WITHOUT WRITTEN PERMISSION |       |         |  |  |         |  |                |  |                          |  |
|         | DIMENSION UNITS   | SCALE |         | CURRENT REV DESC: MIGRATION TO ECTR/NX               |  |         |  |                |  |                          |  |
| ▽ = 0   | INCH/MM   | NTS   |         | EC NO: 630126  |  |         |  |                |  |                          |  |
| ▽ = 0   | GENERAL TOLERANCES (UNLESS SPECIFIED)   |       |         | DRWN: PPURSUTANDEL 2019/12/03                        |  |         |  |                |  | PRODUCT CUSTOMER DRAWING |  |
| ▽ = 0   |   | MM    | INCH    | CHK'D: ALEON01 2020/05/21                            |  |         |  |                |  |                          |  |
| ▽ = 0   | 4 PLACES  | ±     | ±       | APPR: HKNEELAND 2020/05/22                           |  |         |  |                |  | 1300980235               |  |
| ▽ = 0   | 3 PLACES  | ±     | ±       | INITIAL REVISION:                                    |  |         |  |                |  |                          |  |
| ▽ = 0   | 2 PLACES  | ±     | ± 0.01  | DRWN: R.STONE 2009/02/23                             |  |         |  |                |  | PSD                      |  |
| ▽ = 0   | 1 PLACE   | ±     | ± 0.3   | APPR: J. MURPHY 2009/03/03                           |  |         |  |                |  |                          |  |
| ▽ = 0   | 0 PLACES  | ±     | ±       | DRAFT WHERE APPLICABLE MUST REMAIN WITHIN DIMENSIONS |  |         |  |                |  | REVISION                 |  |
| ▽ = 0   | ANGULAR TOL   | ±     | ± 0.5 ° | THIRD ANGLE PROJECTION                               |  | DRAWING |  | SERIES         |  |                          |  |
| ▽ = 0   |   |       |         | C-SIZE   |  | 130098  |  | GENERAL MARKET |  | 1 OF 1                   |  |

| ITEM | DESCRIPTION        | MATERIAL  | FINISH          | QTY. |
|------|--------------------|-----------|-----------------|------|
| 1    | STRAIGHT MALE BODY | NYLON     | SEE TABLE       | 1    |
| 2    | GROMMET            | SEE TABLE | SEE TABLE       | 1    |
| 3    | COMPRESSION RING   | SEE TABLE | NATURAL (WHITE) | 1    |
| 4    | COMPRESSION NUT    | SEE TABLE | SEE TABLE       | 1    |

13 12 11 10 9 8 7 6 5 4 3 2 1



| MATERIAL NO. | OLD PART NO. | THREAD SIZE | CABLE DIA. RANGE        | A           | B        | C           | ITEM 1 COLOR | ITEM 2 MATERIAL | ITEM 2 COLOR | ITEM 3 MATERIAL | ITEM 4 MATERIAL | ITEM 4 COLOR |
|--------------|--------------|-------------|-------------------------|-------------|----------|-------------|--------------|-----------------|--------------|-----------------|-----------------|--------------|
| 1300980024   | 5398         | 1/4" NPT    | .075-.135 / 1.91-3.43   | .69 / 17.5  | 1/2-18   | .92 / 23.4  | GRAY         | NITRILE         | BLACK        | NYLON           | NYLON           | GRAY         |
| 1300980025   | 5400         |             | .135-.200 / 3.43-5.08   |             |          |             |              |                 | GRAY         |                 |                 |              |
| 1300980026   | 5402         |             | .200-.265 / 5.08-6.73   |             |          |             |              |                 | GREEN        |                 |                 |              |
| 1300980027   | 5500         | 3/8" NPT    | .125-.187 / 3.18-4.75   | 1.00 / 25.4 | 7/8-14   | 1.25 / 31.8 | GRAY         | NITRILE         | YELLOW       | HDPE            | NYLON           | GRAY         |
| 1300980029   | 5502         |             | .187-.250 / 4.75-6.35   |             |          |             |              |                 | ORANGE       |                 |                 |              |
| 1300980031   | 5504         |             | .250-.312 / 6.35-7.92   |             |          |             |              |                 | BLACK        |                 |                 |              |
| 1300980032   | 5506         |             | .312-.375 / 7.92-9.53   |             |          |             |              |                 | GRAY         |                 |                 |              |
| 1300980034   | 5508         |             | .375-.437 / 9.53-11.10  |             |          |             |              |                 | GREEN        |                 |                 |              |
| 1300980036   | 5518         | 1/2" NPT    | .062-.125 / 1.57-3.18   | 1.13 / 28.7 | 1"-14    | 1.44 / 36.6 | GRAY         | NITRILE         | BLACK        | HDPE            | NYLON           | GRAY         |
| 1300980041   | 5520         |             | .125-.187 / 3.18-4.75   |             |          |             |              |                 | YELLOW       |                 |                 |              |
| 1300980046   | 5522         |             | .187-.250 / 4.75-6.35   |             |          |             |              |                 | ORANGE       |                 |                 |              |
| 1300980052   | 5524         |             | .250-.312 / 6.35-7.92   |             |          |             |              |                 | BLACK        |                 |                 |              |
| 1300980061   | 5526         |             | .312-.375 / 7.92-9.53   |             |          |             |              |                 | GRAY         |                 |                 |              |
| 1300980069   | 5528         |             | .375-.437 / 9.53-11.10  |             |          |             |              |                 | GREEN        |                 |                 |              |
| 1300980076   | 5530         |             | .437-.500 / 11.10-12.70 |             |          |             |              |                 | ORANGE       |                 |                 |              |
| 1300980082   | 5532         |             | .500-.562 / 12.70-14.27 |             |          |             |              |                 | BLACK        |                 |                 |              |
| 1300980235   | 5620         | 3/4" NPT    | .187-.250 / 4.75-6.35   | 1.38 / 35.1 | 1 1/4-14 | 1.69 / 42.9 | GRAY         | NITRILE         | ORANGE       | HDPE            | NYLON           | GRAY         |
| 1300980236   | 5622         |             | .250-.312 / 6.35-9.53   |             |          |             |              |                 | GRAY         |                 |                 |              |
| 1300980225   | 5624         |             | .375-.437 / 9.53-11.10  |             |          |             |              |                 | GREEN        |                 |                 |              |
| 1300980096   | 5536         |             | .437-.562 / 11.10-14.27 |             |          |             |              |                 | BLACK        |                 |                 |              |
| 1300980103   | 5538         |             | .500-.625 / 12.70-15.87 |             |          |             |              |                 | GRAY         |                 |                 |              |
| 1300980112   | 5540         |             | .562-.687 / 14.27-17.45 |             |          |             |              |                 | GREEN        |                 |                 |              |
| 1300980118   | 5542         |             | .625-.750 / 15.87-19.05 |             |          |             |              |                 | ORANGE       |                 |                 |              |

NOTES:  
 1. MATERIAL: SEE TABLE  
 2. FINISHES: SEE TABLE  
 3. NEMA RATING: NEMA 3R  
 4. RoHS COMPLIANT: YES

|  |                     |  |   |                            |   |                        |
|--|---------------------|--|---|----------------------------|---|------------------------|
| RELEASED<br>EC NO: WNAZ005-0534<br>DRAWING DATE: 2009/03/11<br>DRAWN BY: J. MURPHY<br>CHECKED BY: B. WOODMAN<br>APPROVED BY: J. MURPHY<br>DATE: 2009/03/03 | QUALITY SYMBOLS     | GENERAL TOLERANCES (UNLESS SPECIFIED)                | DIMENSION STYLE   | SCALE                      | DESIGN UNITS  | THIRD ANGLE PROJECTION |
|  | ▽=0                 | mm INCH  | IN/MM   | 2:1                        | INCH  |                        |
|  | ▽=0.010             | 4 PLACES ± --- ± ---                                 | DRAWN BY: R. STONE  | DATE: 2009/02/23           | TITLE: MAX-LOC STRAIN RELIEF CORD GRIP, STRAIGHT MALE NO O-RING |                        |
|  | ▽=0.03              | 3 PLACES ± --- ± ---                                 | CHECKED BY: B. WOODMAN  | DATE: 2009/02/27           |   |                        |
|  | 1 PLACE ± 0.3 ± --- | ANGULAR ±1/2°  | APPROVED BY: J. MURPHY  | DATE: 2009/03/03           |   |                        |
|  |                     | DRAFT WHERE APPLICABLE MUST REMAIN WITHIN DIMENSIONS | MATERIAL NO. SEE CHART  | DOCUMENT NO. SD-130098-003 | SHEET NO. 1 OF 1  |                        |
|  |                     |  | THIS DRAWING CONTAINS INFORMATION THAT IS PROPRIETARY TO MOLEX INCORPORATED AND SHOULD NOT BE USED WITHOUT WRITTEN PERMISSION |                            |   |                        |

|      |      |                    |           |                 |
|------|------|--------------------|-----------|-----------------|
| 4    | 1    | COMPRESSION NUT    | SEE CHART | SEE CHART       |
| 3    | 1    | COMPRESSION RING   | SEE CHART | NATURAL (WHITE) |
| 2    | 1    | GROMMET            | SEE CHART | SEE CHART       |
| 1    | 1    | STRAIGHT MALE BODY | NYLON     | SEE CHART       |
| ITEM | QTY. | DESCRIPTION        | MATERIAL  | FINISH          |

12 11 10 9 8 7 6 5 4 3 2 1

## X-ON Electronics

Largest Supplier of Electrical and Electronic Components

*Click to view similar products for [Molex manufacturer](#):*

Other Similar products are found below :

[1201140065](#) [90814-0008](#) [38210-0105](#) [60506-C-50](#) [69008-0971](#) [73108](#) [79516-1043](#) [72903](#) [2002181200](#) [0982660216](#) [68301-1017](#)  
[03-12-1016](#) [71506-C](#) [90835-0003](#) [02-09-8104](#) [880504](#) [67490-3220](#) [53254-0710](#) [70984-4008](#) [03-12-2022](#) [89674-0805](#) [514412093](#)  
[0151340501](#) [54596-1010](#) [0191310031](#) [503308-4410](#) [02-09-6102](#) [0039000218](#) [89762-1582](#) [0011404526](#) [00136](#) [0022173102](#) [0026615060](#)  
[CR4006A30M003](#) [0039532085](#) [58098-0628](#) [0003092041](#) [0008520123](#) [0011030025](#) [0011184017](#) [0022162060](#) [0039302050](#) [0194180018](#)  
[01312](#) [M15730061](#) [61432](#) [6150300002](#) [CS63W64](#) [CS8264N](#) [CS8365N](#)