

**PLEASE CHECK WWW.MOLEX.COM FOR LATEST PART INFORMATION**

**Part Number:** **0554470770**  
**Status:** **Active**  
**Description:** 1.25mm Pitch Mi II System Wire-to-Board Header, Single Row, Vertical, with Positive Lock, 7 Circuits

**Documents:**

[3D Model](#) [Product Specification PS-54596-018-001 \(PDF\)](#)  
[Drawing \(PDF\)](#) [RoHS Certificate of Compliance \(PDF\)](#)

**General**

Product Family PCB Headers  
Series 55447  
Application Signal, Wire-to-Board  
Product Name Mini Mi II  
UPC 756054760406

**Physical**

Breakaway No  
Circuits (Loaded) 7  
Circuits (maximum) 7  
Color - Resin Natural  
Durability (mating cycles max) 30  
First Mate / Last Break No  
Glow-Wire Capable No  
Guide to Mating Part No  
Keying to Mating Part None  
Lock to Mating Part Yes  
Material - Plating Mating Tin  
Material - Plating Termination Tin  
Material - Resin Nylon  
Net Weight 609.500/mg  
Number of Rows 1  
Orientation Vertical  
PC Tail Length 3.00mm  
PCB Locator Yes  
PCB Retention Yes  
PCB Thickness - Recommended 1.60mm  
Packaging Type Tray  
Pitch - Mating Interface 1.25mm  
Polarized to Mating Part Yes  
Shrouded Fully  
Stackable No  
Surface Mount Compatible (SMC) No  
Temperature Range - Operating -40° to +105°C  
Termination Interface: Style Through Hole

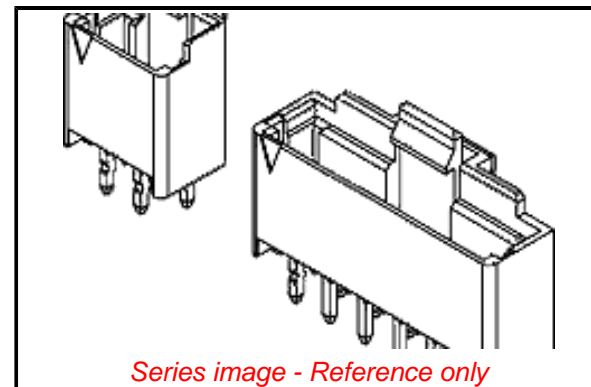
**Electrical**

Current - Maximum per Contact 1.5A  
Voltage - Maximum 100V

**Material Info**

**Reference - Drawing Numbers**

Product Specification PS-54596-018-001  
Sales Drawing SD-55447-010



Series image - Reference only

**EU ELV**

**Not Relevant**

**EU RoHS**

**Compliant**

**REACH SVHC**

Not Contained Per -  
ED/61/2018 (27 June  
2018)

**Halogen-Free**

**Status**

**Not Low-Halogen**

**Need more information on product  
environmental compliance?**

Email [productcompliance@molex.com](mailto:productcompliance@molex.com)  
Please visit the [Contact Us](#) section for any  
non-product compliance questions.

China ROHS	Green Image
ELV	Not Relevant
Prop65	Compliant
RoHS Phthalates	Not Contained

**Search Parts in this Series**

[55447 Series](#)

**Mates With**

51336 PBT Polyester, Glass-filled Housing,  
54596 PA Polyamide Housing

This document was generated on 09/11/2018

**PLEASE CHECK [WWW.MOLEX.COM](http://WWW.MOLEX.COM) FOR LATEST PART INFORMATION**

## X-ON Electronics

Largest Supplier of Electrical and Electronic Components

*Click to view similar products for [Headers & Wire Housings](#) category:*

*Click to view products by [Molex](#) manufacturer:*

Other Similar products are found below :

[892-18-020-10-001101](#) [58102-G61-06LF](#) [582553-1](#) [0009485154](#) [009176003701906](#) [0050291907](#) [LY20-4P-DT1-P1E-BR](#) [02.125.8002.8](#)  
[609-3404](#) [61062-3](#) [622-0430](#) [622-3653LF](#) [63453-116](#) [636-1030](#) [636-1427](#) [636-3427](#) [636-4007](#) [641938-9](#) [641991-4](#) [644827-2](#) [65817-010LF](#)  
[65817-015LF](#) [65863-015LF](#) [66207-023LF](#) [67095-007LF](#) [67601157](#) [68648-049](#) [70.362.1628.0](#) [70-4210](#) [70-4226B](#) [70-4853B](#) [707-5020](#) [707-5028](#) [71.350.2428.0](#) [71918-208LF](#) [71961-016LF](#) [733-134](#) [733-162](#) [754199-000](#) [760-3052](#) [787-8014-00](#) [79531-3000](#) [FCN-360C032-B](#) [FCN-367T-T012/H](#) [FCN-723D010/2](#) [80.063.4001.1](#) [800-90-001-10-001000](#) [800-90-010-10-002000](#) [801-43-002-10-013000](#) [801-43-006-10-002000](#)