

| MATERIAL NO. | OLD PART NO. | THREAD SIZE | CABLE (HOLE) DIA. | NUMBER OF HOLES | A | B | C | ITEM 1 COLOR | ITEM 2 MATERIAL | ITEM 2 COLOR | ITEM 3 MATERIAL | ITEM 4 MATERIAL | ITEM 4 COLOR |
|--------------|--------------|-------------|-------------------|-----------------|-----------|-------|-----------|--------------|-----------------|--------------|-----------------|-----------------|--------------|
| 1300980195 | 5594-004 | 1/2" NPT | .225/5.72 | 4 | 1.13/28.7 | 1"-14 | 1.44/36.6 | Gray | Nitrile | Black | HDPE | Nylon | Gray |
| 1300980197 | 5594-005 | 1/2" NPT | .250/6.35 | 3 | 1.13/28.7 | 1"-14 | 1.44/36.6 | Gray | Nitrile | Gray | HDPE | Nylon | Gray |
| 1300980199 | 5594-006 | 1/2" NPT | .290/7.37 | 2 | 1.13/28.7 | 1"-14 | 1.44/36.6 | Gray | Nitrile | Black | HDPE | Nylon | Gray |
| 1300980202 | 5594-007 | 1/2" NPT | .156/3.96 | 4 | 1.13/28.7 | 1"-14 | 1.44/36.6 | Gray | Nitrile | Orange | HDPE | Nylon | Gray |
| 1300980204 | 5594-008 | 1/2" NPT | .187/4.75 | 7 | 1.13/28.7 | 1"-14 | 1.44/36.6 | Gray | Nitrile | Yellow | HDPE | Nylon | Gray |

- NOTES:
 1. MATERIAL: SEE TABLE
 2. FINISHES: SEE TABLE
 3. NEMA RATING: NEMA 3R
 4. RoHS COMPLIANT: YES

| ITEM | QTY. | DESCRIPTION | MATERIAL | FINISH |
|------|------|--------------------|-----------|-----------------|
| 4 | 1 | COMPRESSION NUT | SEE CHART | SEE CHART |
| 3 | 1 | COMPRESSION RING | SEE CHART | NATURAL (WHITE) |
| 2 | 1 | GROMMET | SEE CHART | SEE CHART |
| 1 | 1 | STRAIGHT MALE BODY | NYLON | SEE CHART |

2009/06/10

ENTER DESCRIPTION
 EC NO: WNA2009-0746
 DRW: NKUMAR01 2009/05/15
 CHKD:
 APPR: JFMURPHY

QUALITY SYMBOLS
 ▽=0
 ▽=0

GENERAL TOLERANCES (UNLESS SPECIFIED)

| | mm | INCH |
|----------|--------|---------|
| 4 PLACES | ± .005 | ± .0005 |
| 3 PLACES | ± .005 | ± .0005 |
| 2 PLACES | ± .010 | ± .0010 |
| 1 PLACE | ± 0.3 | ± .0125 |

ANGULAR ±1/2°

DRAFT WHERE APPLICABLE MUST REMAIN WITHIN DIMENSIONS

DIMENSION STYLE
 IN/MM

DRAWN BY: NKUMAR01 DATE: 2009/05/15
 CHECKED BY: BWOODMAN DATE: 2009/05/18
 APPROVED BY: JFMURPHY DATE: 2009/05/18

MATERIAL NO. SEE CHART

SCALE 2:1 DESIGN UNITS INCH

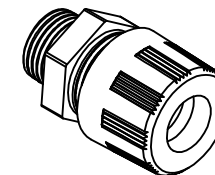
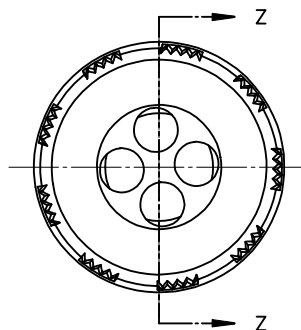
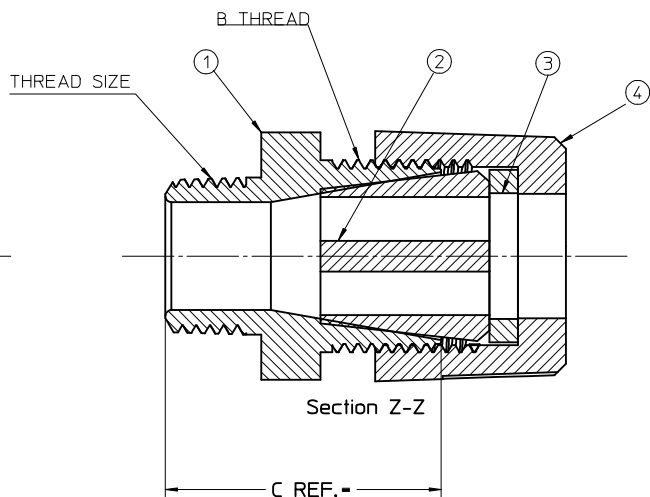
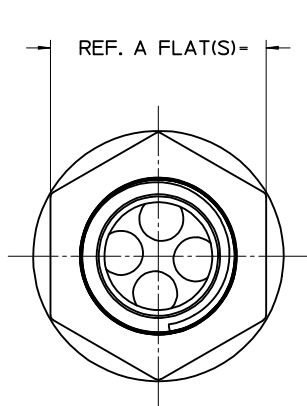
THIRD ANGLE PROJECTION

TITLE
 MAX-LOC F2 1/2 (MULTI-HOLE) (4).225HOLES NO O-RING

MOLEX INCORPORATED

DOCUMENT NO. SD-130098-195 SHEET NO. 1 OF 1

THIS DRAWING CONTAINS INFORMATION THAT IS PROPRIETARY TO MOLEX INCORPORATED AND SHOULD NOT BE USED WITHOUT WRITTEN PERMISSION



| MATERIAL NO. | OLD PART NO. | THREAD SIZE | CABLE (HOLE) DIA. | NUMBER OF HOLES | A | B | C | ITEM 1 COLOR | ITEM 2 MATERIAL | ITEM 2 COLOR | ITEM 3 MATERIAL | ITEM 4 MATERIAL | ITEM 4 COLOR |
|--------------|--------------|-------------|-------------------|-----------------|-----------|-------|-----------|--------------|-----------------|--------------|-----------------|-----------------|--------------|
| 1300980195 | 5594-004 | 1/2" NPT | .225/5.72 | 4 | 1.13/28.7 | 1"-14 | 1.44/36.6 | Gray | Nitrile | Black | HDPE | Nylon | Gray |
| 1300980197 | 5594-005 | 1/2" NPT | .250/6.35 | 3 | 1.13/28.7 | 1"-14 | 1.44/36.6 | Gray | Nitrile | Gray | HDPE | Nylon | Gray |
| 1300980199 | 5594-006 | 1/2" NPT | .290/7.37 | 2 | 1.13/28.7 | 1"-14 | 1.44/36.6 | Gray | Nitrile | Black | HDPE | Nylon | Gray |
| 1300980202 | 5594-007 | 1/2" NPT | .156/3.96 | 4 | 1.13/28.7 | 1"-14 | 1.44/36.6 | Gray | Nitrile | Orange | HDPE | Nylon | Gray |
| 1300980204 | 5594-008 | 1/2" NPT | .187/4.75 | 7 | 1.13/28.7 | 1"-14 | 1.44/36.6 | Gray | Nitrile | Yellow | HDPE | Nylon | Gray |

- NOTES:
 1. MATERIAL: SEE TABLE
 2. FINISHES: SEE TABLE
 3. NEMA RATING: NEMA 3R
 4. RoHS COMPLIANT: YES

| ITEM | QTY. | DESCRIPTION | MATERIAL | FINISH |
|------|------|--------------------|-----------|-----------------|
| 4 | 1 | COMPRESSION NUT | SEE CHART | SEE CHART |
| 3 | 1 | COMPRESSION RING | SEE CHART | NATURAL (WHITE) |
| 2 | 1 | GROMMET | SEE CHART | SEE CHART |
| 1 | 1 | STRAIGHT MALE BODY | NYLON | SEE CHART |

2009/06/10

ENTER DESCRIPTION
 EC NO: WNA2009-0746
 DRW: NKUMAR01 2009/05/15
 CHKD:
 APPR: JFMURPHY

QUALITY SYMBOLS
 ▽=0
 ▽=0

GENERAL TOLERANCES (UNLESS SPECIFIED)

| | mm | INCH |
|----------|--------|---------|
| 4 PLACES | ± .005 | ± .0005 |
| 3 PLACES | ± .005 | ± .0005 |
| 2 PLACES | ± .010 | ± .0010 |
| 1 PLACE | ± 0.3 | ± .0125 |

ANGULAR ±1/2°

DRAFT WHERE APPLICABLE MUST REMAIN WITHIN DIMENSIONS

DIMENSION STYLE
 IN/MM

DRAWN BY: NKUMAR01 DATE: 2009/05/15
 CHECKED BY: BWOODMAN DATE: 2009/05/18
 APPROVED BY: JFMURPHY DATE: 2009/05/18

MATERIAL NO. SEE CHART

SCALE 2:1 DESIGN UNITS INCH

THIRD ANGLE PROJECTION

TITLE
 MAX-LOC F2 1/2 (MULTI-HOLE) (4).225HOLES NO O-RING

MOLEX INCORPORATED

DOCUMENT NO. SD-130098-195 SHEET NO. 1 OF 1

THIS DRAWING CONTAINS INFORMATION THAT IS PROPRIETARY TO MOLEX INCORPORATED AND SHOULD NOT BE USED WITHOUT WRITTEN PERMISSION

X-ON Electronics

Largest Supplier of Electrical and Electronic Components

Click to view similar products for [Heat Shrink Tubing and Sleeves](#) category:

Click to view products by [Molex](#) manufacturer:

Other Similar products are found below :

[770-006S102](#) [5685710001](#) [CR8248-000](#) [CR9960-000](#) [603312-4](#) [607381P039](#) [611112-000](#) [617867N001](#) [6500750004](#) [CZ1420-000](#) [D-306-38](#)
[770-007A303](#) [770-010Y106W1](#) [770-010Y706W1](#) [7771210001](#) [MFP-1/4"-Clear](#) [MFP-3/64"-Clear](#) [790-3012](#) [MHHT-4-15K2-G-104](#) [MIL-](#)
[LT-1-1/2-4-SP](#) [MIL-LT-1-1/2-9-STK](#) [MIL-LT-1/2-2-STK](#) [MIL-LT-3-0-SP](#) [MIL-LT-3/32-0-SP](#) [MIL-LT-3/32-6-SP](#) [MIL-LT-3/4-6-SP](#) [MIL-](#)
[LT-3/8-0-SP](#) [8159270001](#) [839602-000](#) [8423-6](#) [FP301-116-6"-Black](#) [FP301-1/2-48"-Black](#) [FP301-12-48"-Black-Hdr](#) [FP301-1/4-48"-Black](#)
[FP301-1/4-48"-White-Hdr](#) [FP301-1-6"-Clear](#) [FP301-18-48"-Black-Hdr](#) [FP301-1/8-6"-Black](#) [FP301-18-6"-Black-Bulk](#) [FP301-316-48"-Blue-](#)
[Hdr](#) [FP301-316-6"-Clear](#) [FP301-332-6"-Black](#) [912229N002](#) [120-126-16BL](#) [121-001-09](#) [121-018-32](#) [121-018-40](#) [121-123-1-1-32BTC](#) [121-](#)
[123-1-1-40BTC](#) [121-127-09BK](#)