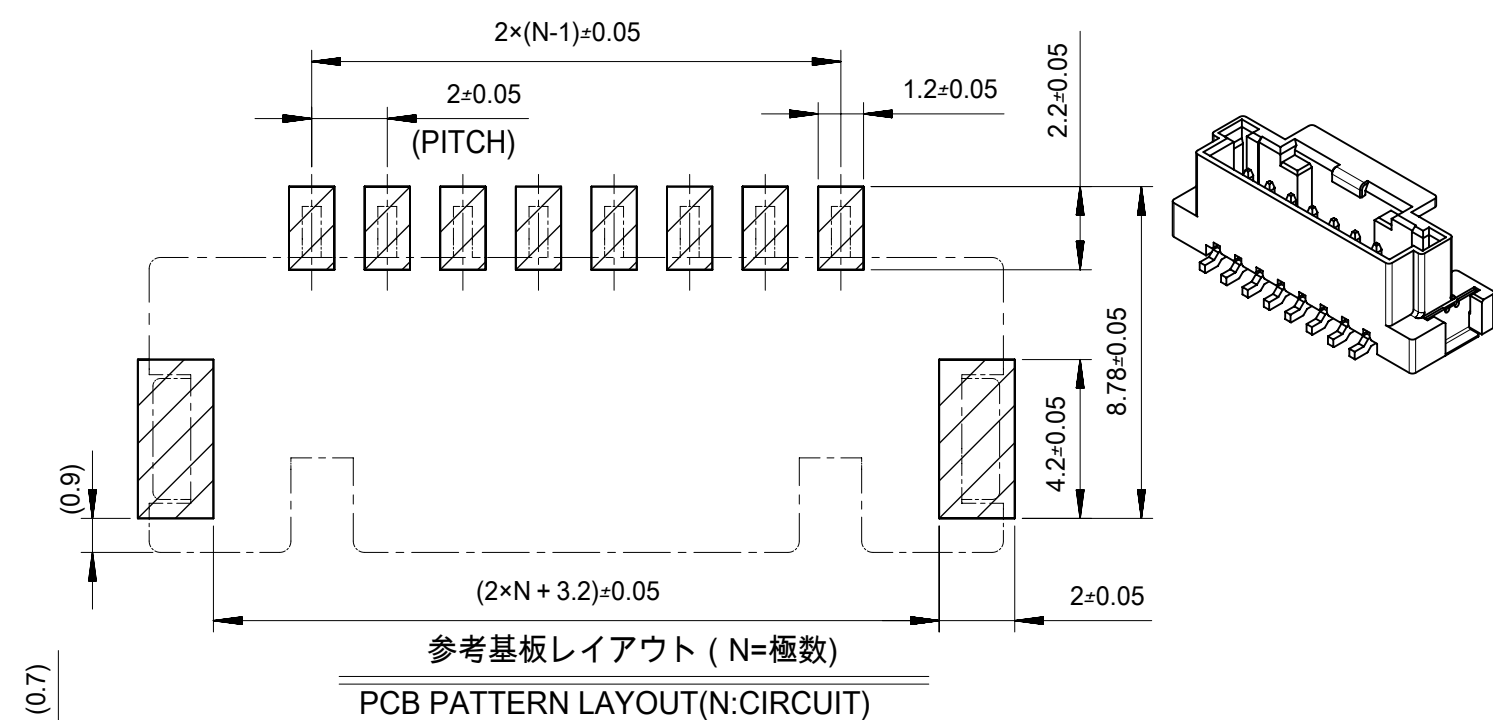
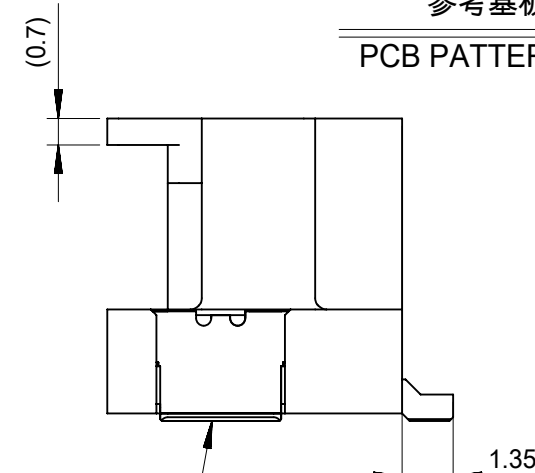


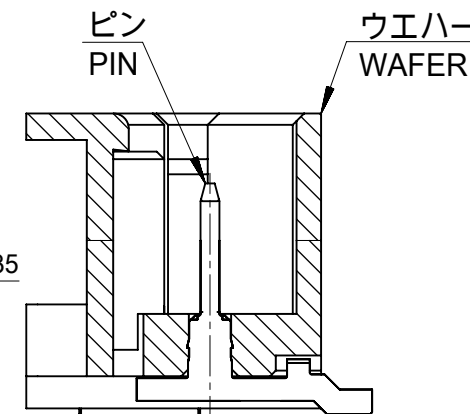
8CKTS



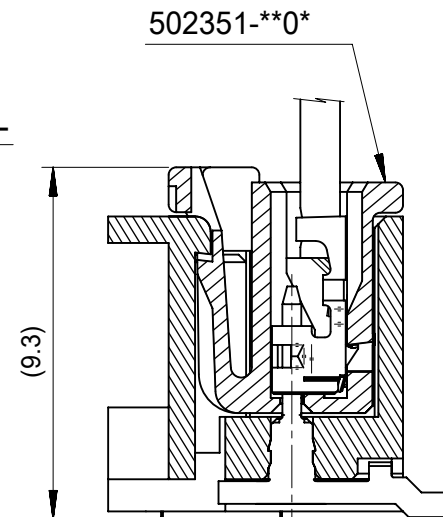
参考基板レイアウト (N=極数)  
PCB PATTERN LAYOUT (N:CIRCUIT)



フィッティングネイル  
FITTING NAIL



SECTION Z-Z



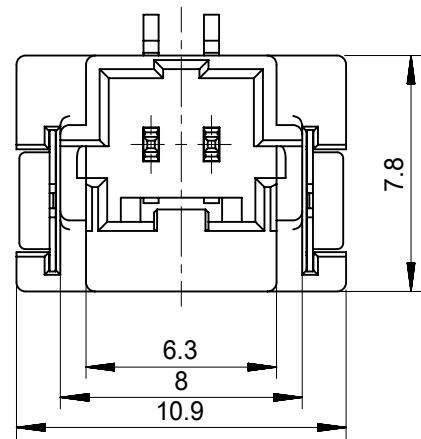
嵌合図  
MATED DRAWING

注記  
NOTES

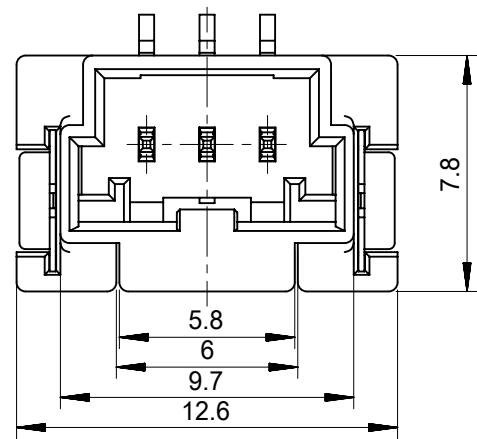
- 材質  
ウエハー: 耐熱性ナイロン UL94V-0  
ピン: 銅合金、ニッケル下地、錫メッキ、金メッキ  
フィッティングネイル: 銅合金、ニッケル下地、錫メッキ  
MATERIAL  
WAFER: POLYAMIDE UL94V-0  
PIN: COPPER ALLOY, GOLD OR TIN OVER NICKEL PLATE.  
FITTING NAIL: COPPER ALLOY, TIN OVER NICKEL PLATE.
- 色: ナチュラル、黒、赤、青  
COLOR: NATURAL, BLACK, RED, BLUE
- 嵌合相手:  
ハウジング: 502351-\*\*0\*  
錫メッキ端子: 50212-8\*00, 50372-8\*00, 560085-0101  
金メッキ端子: 56161-8\*81  
MATES WITH  
HOUSING: 502351-\*\*0\*  
SN PLATING TERMINAL: 50212-8\*00, 50372-8\*00, 560085-0101  
AU PLATING TERMINAL: 56161-8\*81

- エンボス梱包品の詳細はSD-560020-002参照  
DETAILED TAPING PACKAGE, SEE SD-560020-002
- ELV及びRoHS適合  
ELV AND RoHS COMPLIANT
- 半田付け面のコプラナリティ: 0.1mm MAX.  
CO-PLANARITY OF SOLDER TAILS TO BE 0.1mm MAX.
- 一般公差  
GENERAL TOLERANCES  
10 UNDER: 0.2  
10 OVER 30 UNDER: 0.25  
30 OVER: 0.3  
ANGULAR ±1°

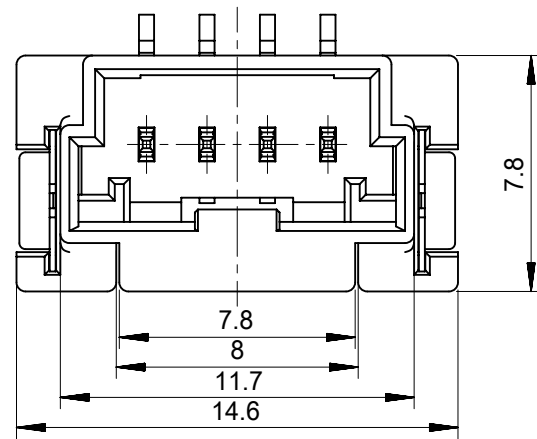
THIS DRAWING CONTAINS INFORMATION THAT IS PROPRIETARY TO MOLEX ELECTRONIC TECHNOLOGIES, LLC AND SHOULD NOT BE USED WITHOUT WRITTEN PERMISSION		CURRENT REV DESC:			
DIMENSION UNITS	SCALE				
mm	5:1			2.0MM PITCH W/B CONN. WAFER ASSY ST. SMT	
GENERAL TOLERANCES (UNLESS SPECIFIED)		EC NO: 177053		PRODUCT CUSTOMER DRAWING	
ANGULAR TOL ± °		DRWN: RHORI 2018/05/21		DOCUMENT NUMBER	
4 PLACES ±		CHK'D: HKOMATSU 2018/05/23		SD-560020-001	
3 PLACES ±		APPR: TOSADA 2018/05/23		DOC TYPE DOC PART REVISION	
2 PLACES ±		INITIAL REVISION:		PSD 001 H	
1 PLACE ±		DRWN: SHSHIBATA 2009/02/18		MATERIAL NUMBER	
0 PLACES ±		APPR: AKANESHIGE 2009/02/18		CUSTOMER	
DRAFT WHERE APPLICABLE MUST REMAIN WITHIN DIMENSIONS		THIRD ANGLE PROJECTION	DRAWING	SERIES	SHEET NUMBER
			A3-SIZE	560020	SEE CHART GENERAL MARKET 1 OF 4



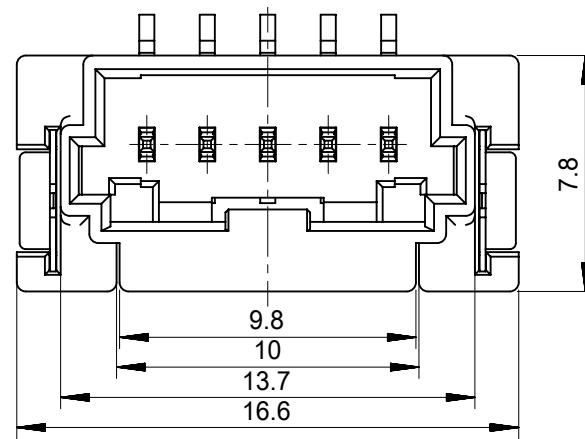
2CKTS



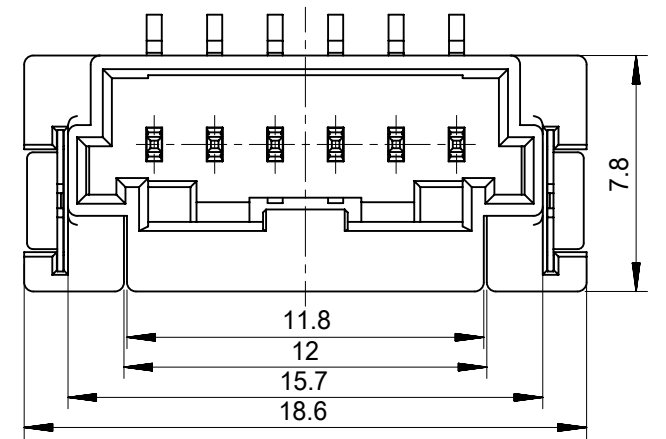
3CKTS



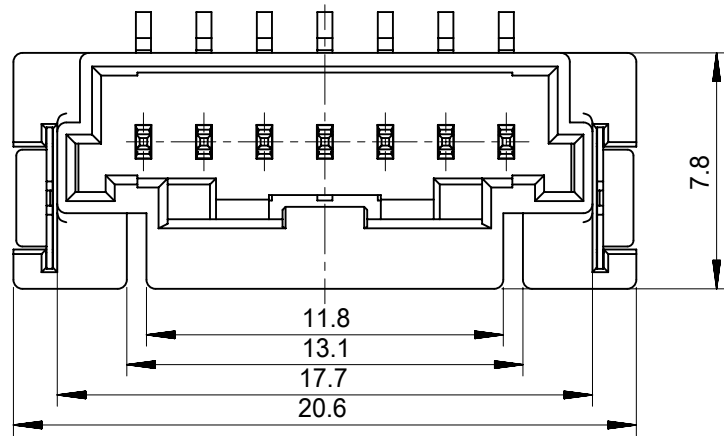
4CKTS



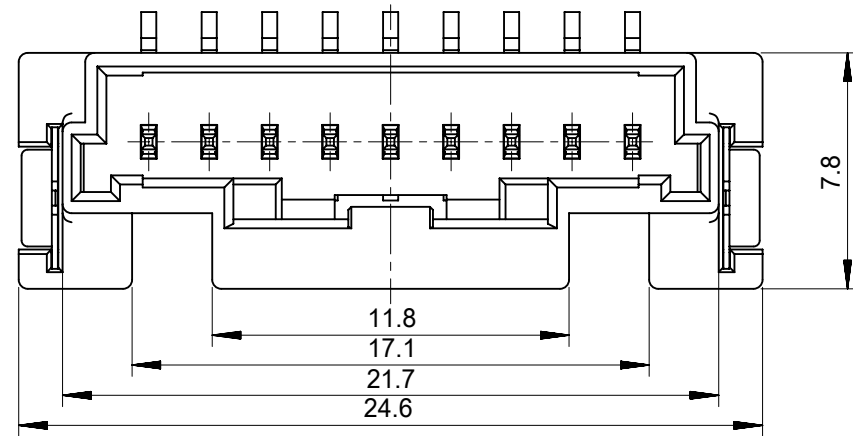
5CKTS



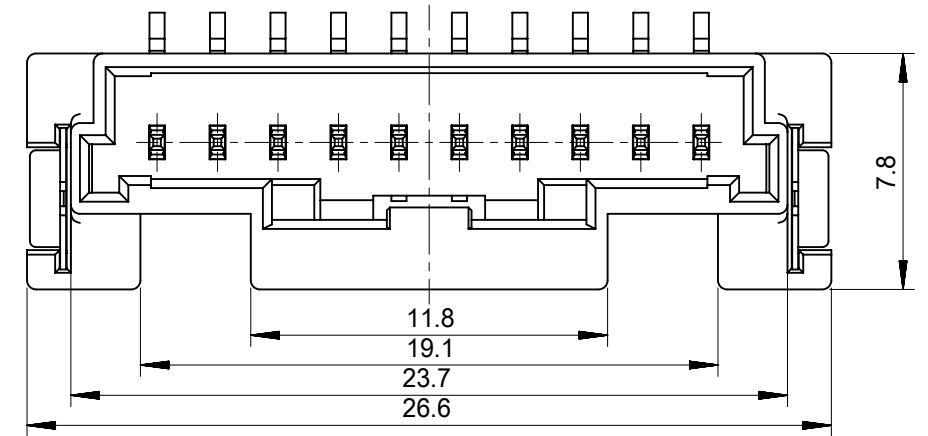
6CKTS



7CKTS



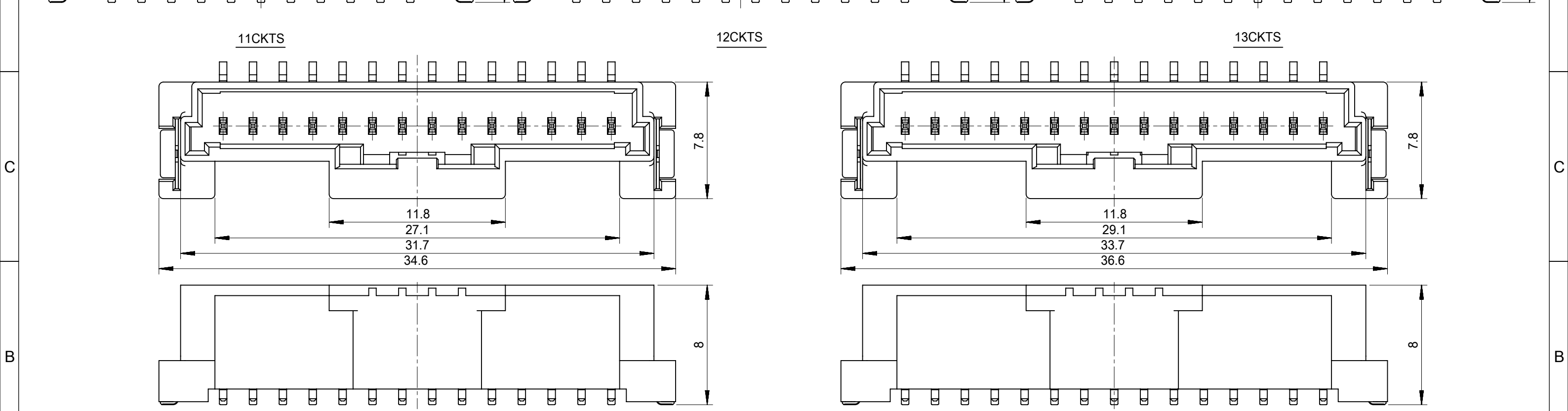
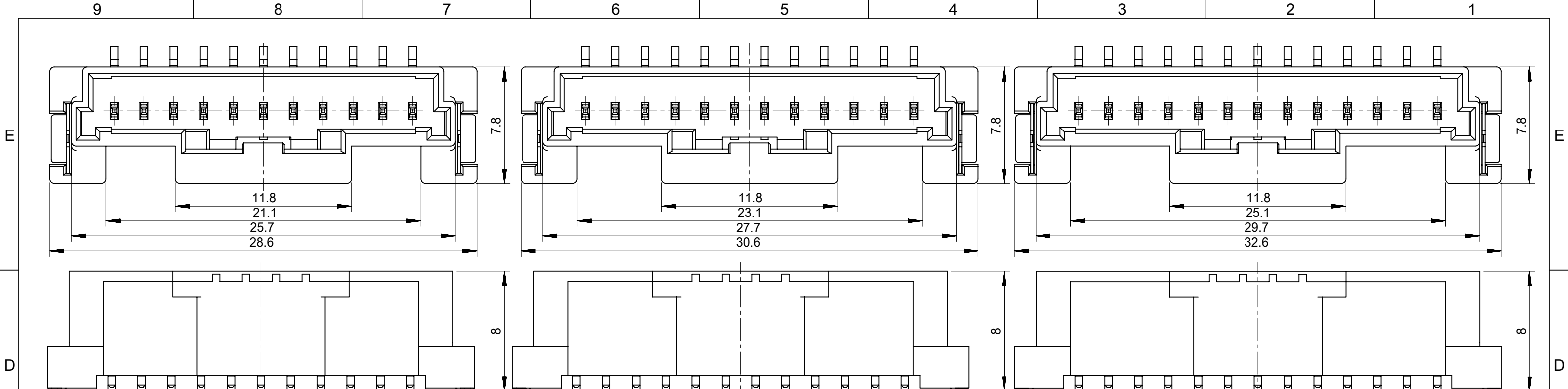
9CKTS



10CKTS

THIS DRAWING CONTAINS INFORMATION THAT IS PROPRIETARY TO MOLEX ELECTRONIC TECHNOLOGIES, LLC AND SHOULD NOT BE USED WITHOUT WRITTEN PERMISSION		CURRENT REV DESC:		<b>molex</b>	
DIMENSION UNITS	SCALE	EC NO: 177053			
mm	4:1	DRWN: RHORI 2018/05/21		2.0MM PITCH W/B CONN.	
GENERAL TOLERANCES (UNLESS SPECIFIED)		CHK'D: HKOMATSU 2018/05/23		WAFER ASSY ST. SMT	
ANGULAR TOL	± °	APPR: TOSADA 2018/05/23		PRODUCT CUSTOMER DRAWING	
4 PLACES	±	INITIAL REVISION:		DOCUMENT NUMBER	
3 PLACES	±	DRWN: SHSHIBATA 2009/02/18		SD-560020-001	
2 PLACES	±	APPR: AKANESHIGE 2009/02/18		DOC TYPE	
1 PLACE	±	THIRD ANGLE PROJECTION		PSD	
0 PLACES	±	DRAWING		001	
DRAFT WHERE APPLICABLE MUST REMAIN WITHIN DIMENSIONS		SERIES		REVISION	
		A3-SIZE		H	
		560020		SHEET NUMBER	
		SEE CHART		2 OF 4	
		GENERAL MARKET			

INITIAL REVISION:		
DRWN	SHSHIBATA	2009/02/18
CHECK	HKOMATSU	2009/02/18
APPR	AKANESHIGE	2009/02/18



<u>11CKTS</u>		<u>12CKTS</u>		<u>13CKTS</u>	
<u>14CKTS</u>		<u>15CKTS</u>			

DIMENSION UNITS: <b>mm</b> SCALE: <b>4:1</b>		CURRENT REV DESC:			
GENERAL TOLERANCES (UNLESS SPECIFIED) ANGULAR TOL ± ° 4 PLACES ± 3 PLACES ± 2 PLACES ± 1 PLACE ± 0 PLACES ±		EC NO: 177053 DRWN: RHORI 2018/05/21 CHK'D: HKOMATSU 2018/05/23 APPR: TOSADA 2018/05/23			
INITIAL REVISION: DRWN SHSHIBATA 2009/02/18 CHECK HKOMATSU 2009/02/18 APPR AKANESHIGE 2009/02/18		INITIAL REVISION: DRWN: SHSHIBATA 2009/02/18 APPR: AKANESHIGE 2009/02/18		PRODUCT CUSTOMER DRAWING DOCUMENT NUMBER: <b>SD-560020-001</b> DOC TYPE: PSD DOC PART: 001 REVISION: H	
DRAFT WHERE APPLICABLE MUST REMAIN WITHIN DIMENSIONS		THIRD ANGLE PROJECTION		DRAWING: <b>A3-SIZE</b> SERIES: <b>560020</b> MATERIAL NUMBER: SEE CHART CUSTOMER: GENERAL MARKET SHEET NUMBER: 3 OF 4	

DOCUMENT STATUS	P1	RELEASE DATE	2018/05/23	09:22:51
-----------------	----	--------------	------------	----------

Sn NATURAL	11.8	29.1	33.7	36.6	560020-1520	15
	11.8	27.1	31.7	34.6	560020-1420	14
	11.8	25.1	29.7	32.6	560020-1320	13
	11.8	23.1	27.7	30.6	560020-1220	12
	11.8	21.1	25.7	28.6	560020-1120	11
	11.8	19.1	23.7	26.6	560020-1020	10
	11.8	17.1	21.7	24.6	560020-0920	9
	11.8	15.1	19.7	22.6	560020-0800/-0820	8
	11.8	13.1	17.7	20.6	560020-0700/-0720	7
	11.8	12	15.7	18.6	560020-0600/-0620	6
	9.8	10	13.7	16.6	560020-0500/-0520	5
	7.8	8	11.7	14.6	560020-0400/-0420	4
	5.8	6	9.7	12.6	560020-0300/-0320	3
	6.3	/	8.0	10.9	560020-0200/-0220	2
PLATING	D	C	B	A	EMBOSSED PACKAGE ORDER NO.	CKTS
CONNECTOR SERIES NO. 560020-**08						

Au NATURAL	11.8	29.1	33.7	36.6	560020-1530	15
	11.8	27.1	31.7	34.6	560020-1430	14
	11.8	25.1	29.7	32.6	560020-1330	13
	11.8	23.1	27.7	30.6	560020-1230	12
	11.8	21.1	25.7	28.6	560020-1130	11
	11.8	19.1	23.7	26.6	560020-1030	10
	11.8	17.1	21.7	24.6	560020-0930	9
	11.8	15.1	19.7	22.6	560020-0830	8
	11.8	13.1	17.7	20.6	560020-0730	7
	11.8	12	15.7	18.6	560020-0630	6
	9.8	10	13.7	16.6	560020-0530	5
	7.8	8	11.7	14.6	560020-0430	4
	5.8	6	9.7	12.6	560020-0330	3
	6.3	/	8.0	10.9	560020-0230	2
PLATING	D	C	B	A	EMBOSSED PACKAGE ORDER NO.	CKTS
CONNECTOR SERIES NO. 560020-**18						

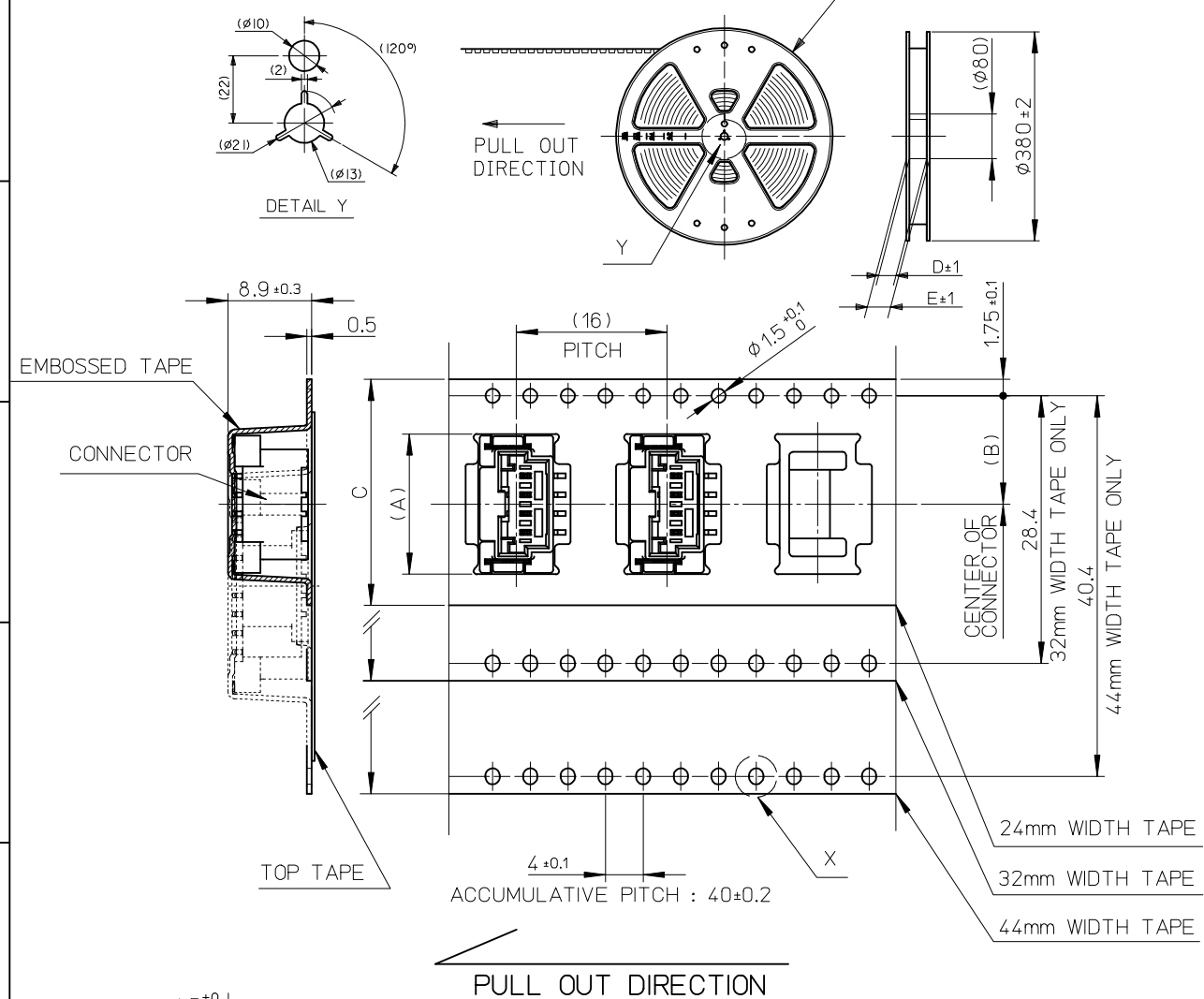
Sn BLACK	11.8	29.1	33.7	36.6	560020-1521	15
	11.8	27.1	31.7	34.6	560020-1421	14
	11.8	25.1	29.7	32.6	560020-1321	13
	11.8	23.1	27.7	30.6	560020-1221	12
	11.8	21.1	25.7	28.6	560020-1121	11
	11.8	19.1	23.7	26.6	560020-1021	10
	11.8	17.1	21.7	24.6	560020-0921	9
	11.8	15.1	19.7	22.6	560020-0821	8
	11.8	13.1	17.7	20.6	560020-0721	7
	11.8	12	15.7	18.6	560020-0621	6
	9.8	10	13.7	16.6	560020-0521	5
	7.8	8	11.7	14.6	560020-0421	4
	5.8	6	9.7	12.6	560020-0321	3
	6.3	/	8.0	10.9	560020-0221	2
PLATING	D	C	B	A	EMBOSSED PACKAGE ORDER NO.	CKTS
CONNECTOR SERIES NO. 560020-**28						

Sn RED	/	/	/	/	/	15
	/	/	/	/	/	14
	/	/	/	/	/	13
	/	/	/	/	/	12
	/	/	/	/	/	11
	/	/	/	/	/	10
	/	/	/	/	/	9
	11.8	15.1	19.7	22.6	560020-0822	8
	/	/	/	/	/	7
	11.8	12	15.7	18.6	560020-0622	6
	/	/	/	/	/	5
	7.8	8	11.7	14.6	560020-0422	4
	5.8	6	9.7	12.6	560020-0322	3
	6.3	/	8.0	10.9	560020-0222	2
PLATING	D	C	B	A	EMBOSSED PACKAGE ORDER NO.	CKTS
CONNECTOR SERIES NO. 560020-**48						

Sn BLUE	/	/	/	/	/	15
	/	/	/	/	/	14
	/	/	/	/	/	13
	/	/	/	/	/	12
	/	/	/	/	/	11
	/	/	/	/	/	10
	/	/	/	/	/	9
	11.8	15.1	19.7	22.6	560020-0823	8
	/	/	/	/	/	7
	11.8	12	15.7	18.6	560020-0623	6
	/	/	/	/	/	5
	7.8	8	11.7	14.6	560020-0423	4
	5.8	6	9.7	12.6	560020-0323	3
	6.3	/	8.0	10.9	560020-0223	2
PLATING	D	C	B	A	EMBOSSED PACKAGE ORDER NO.	CKTS
CONNECTOR SERIES NO. 560020-**68						

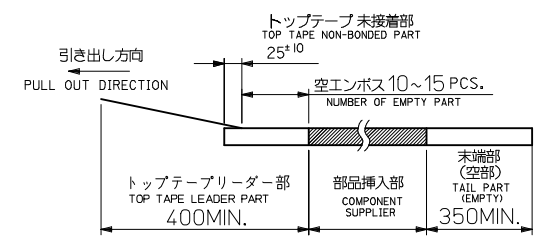
THIS DRAWING CONTAINS INFORMATION THAT IS PROPRIETARY TO MOLEX ELECTRONIC TECHNOLOGIES, LLC AND SHOULD NOT BE USED WITHOUT WRITTEN PERMISSION											
DIMENSION UNITS: mm		SCALE: 1:1		CURRENT REV DESC:				<b>molex</b>		2.0MM PITCH W/B CONN. WAFER ASSY ST. SMT	
GENERAL TOLERANCES (UNLESS SPECIFIED)				EC NO: 177053							
ANGULAR TOL ± °				DRWN: RHORI 2018/05/21				PRODUCT CUSTOMER DRAWING		DOCUMENT NUMBER: SD-560020-001	
4 PLACES ±				CHK'D: HKOMATSU 2018/05/23							
3 PLACES ±				APPR: TOSADA 2018/05/23				DOC TYPE: PSD		DOC PART: 001	
2 PLACES ±				INITIAL REVISION:							
1 PLACE ±				DRWN: SHSHIBATA 2009/02/18				SHEET NUMBER: 4 OF 4			
0 PLACES ±				APPR: AKANESHIGE 2009/02/18							
DRAFT WHERE APPLICABLE MUST REMAIN WITHIN DIMENSIONS				THIRD ANGLE PROJECTION		DRAWING: A3-SIZE		SERIES: 560020		CUSTOMER: GENERAL MARKET	
DOCUMENT STATUS: P1		RELEASE DATE: 2018/05/23 09:22:51		INITIAL REVISION: DRWN SHSHIBATA 2009/02/18 CHECK HKOMATSU 2009/02/18 APPR AKANESHIGE 2009/02/18							

10 9 8 7 6 5 4 3 2 1



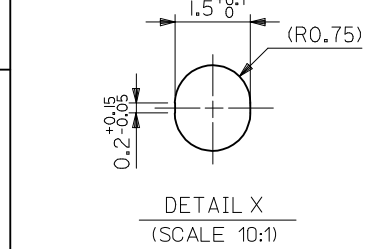
NOTES

- 製品番号: 560020-\*\*\*0 詳細寸法については、製品単体図面を参照ください。  
PART NO. 560020-\*\*\*0 SEE SALES DRAWING FOR CONNECTOR
- 梱包数量: 650個/REEL  
NUMBER OF CONNECTORS 650 PCS/REEL
- リードテープ長さ  
LEAD TAPE LENGTH



- 材料  
MATERIAL  
キャリアテープ: ポリスチレン  
CARRIER TAPE: POLYSTYRENE  
トップテープ: PET, PE, PEF  
TOP TAPE  
リール: ポリスチレン  
REEL: POLYSTYRENE

49.4	45.4	44	20.2	22.9	560020-0800	08
				20.9	560020-0700	07
37.4	33.4	32	14.2	18.9	560020-0600	06
				16.9	560020-0500	05
29.4	25.4	24	11.5	14.9	560020-0400	04
				12.9	560020-0300	03
				11.2	560020-0200	02
E	D	C	(B)	(A)	エンボス梱包品 製品番号	CIRCUITS
					MATERIAL NO.	



PULL OUT DIRECTION  
DIRECTION OF CONNECTOR IN EMBOSSED TAPE

REVISED EC NO: JTR2014-0066 DRWN: YAMAKI 2014/01/15 CHKD: HKOMATSU 2014/01/15 APPR: MAYAMOTO 2014/02/24	GENERAL TOLERANCES (UNLESS SPECIFIED)		DIMENSION STYLE MM ONLY		SCALE 2:1	DESIGN UNITS METRIC	THIRD ANGLE PROJECTION
	10 UNDER	±0.2	DRAWN BY YAMAKI	DATE 2012/02/29	TITLE 2.0MM PITCH W/B ST. WAFER ASSY EMBOSSED TAPE PACKAGE		
10 OVER 30 UNDER	±0.25	CHECKED BY HKOMATSU	DATE 2012/02/29	MATERIAL NO.			DOCUMENT NO. SD-560020-002
30 OVER	±0.3	APPROVED BY MAYAMOTO	DATE 2012/03/01	SHEET NO. 1 OF 1			
ANGULAR	±1	SEE CHART					
DRAFT WHERE APPLICABLE MUST REMAIN WITHIN DIMENSIONS		THIS DRAWING CONTAINS INFORMATION THAT IS PROPRIETARY TO MOLEX INCORPORATED AND SHOULD NOT BE USED WITHOUT WRITTEN PERMISSION					

9 8 7 6 5 4 3 2 1

## X-ON Electronics

Largest Supplier of Electrical and Electronic Components

*Click to view similar products for [Headers & Wire Housings](#) category:*

*Click to view products by [Molex](#) manufacturer:*

Other Similar products are found below :

[95000-104TRLF](#) [10135584-644402LF](#) [DF62W-EP2022PCA](#) [95000-106TRLF](#) [DF62W-2022SCA](#) [DF62W-EP2022PC](#) [2203348](#) [DF62W-2022SC](#) [1084018](#) [1029039](#) [1084017](#) [802-10-012-10-002000](#) [1112640](#) [1112639](#) [891-007-9SS-BST1T](#) [000-34000](#) [0008550134](#) [0009482033](#) [0009507031](#) [57102-F02-18ULF](#) [57102-S06-03LF](#) [57202-S52-04LF](#) [PCN6-15S-2.5E](#) [0039019024](#) [58102-G61-06LF](#) [582553-1](#) [0009485154](#) [0009508121](#) [0022285053](#) [0050291907](#) [018731A](#) [LY20-4P-DT1-P1E-BR](#) [02.125.8002.8](#) [60101931](#) [60598-1 \(Cut Strip\)](#) [M1625-3R/100](#) [61062-3](#) [61082-181009](#) [CSU011177004](#) [636-1427](#) [638009-1](#) [641938-9](#) [641991-4](#) [644168-1](#) [644827-2](#) [647662-1](#) [65039-019ELF](#) [65692-001LF](#) [65781-018](#) [65781-047](#)