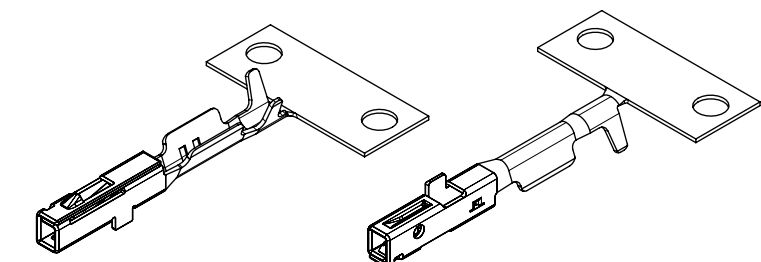
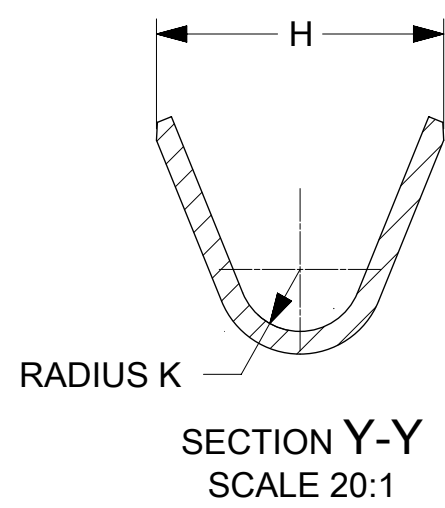
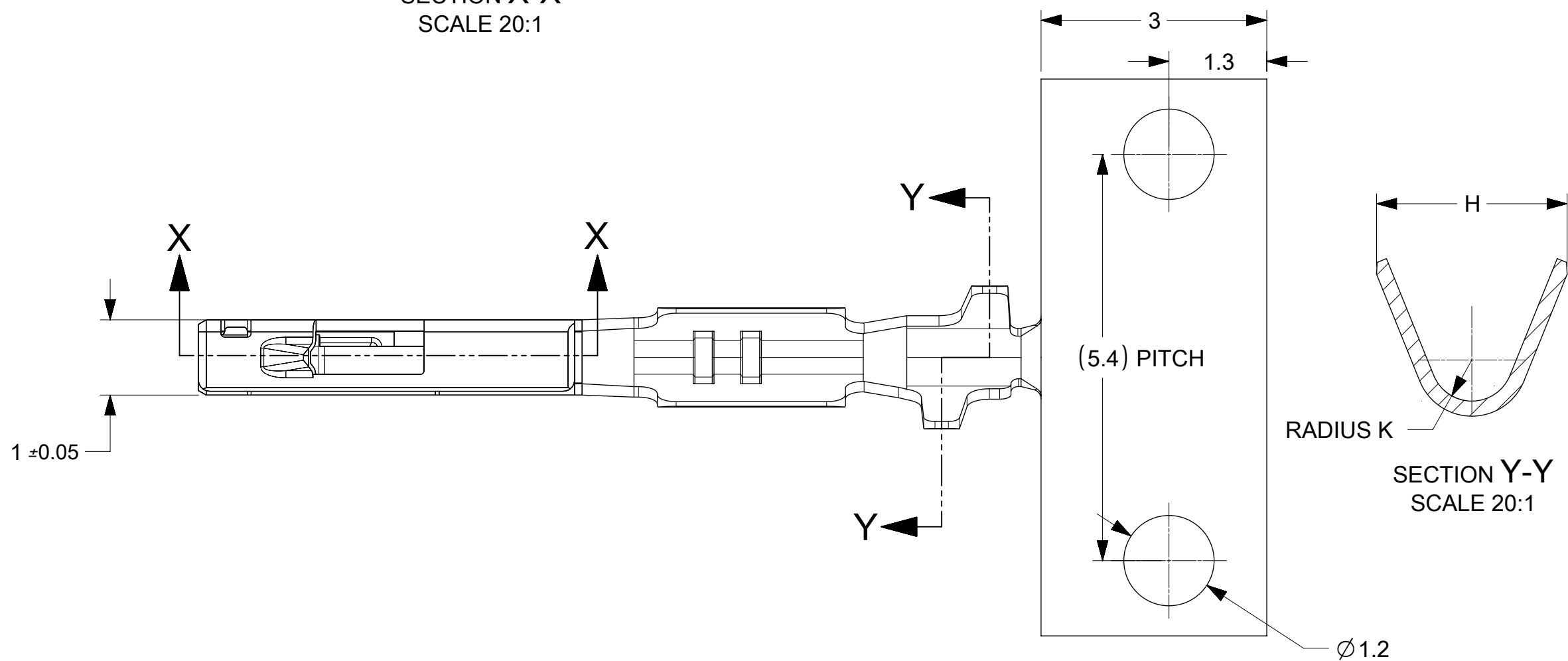


SECTION X-X
SCALE 20:1

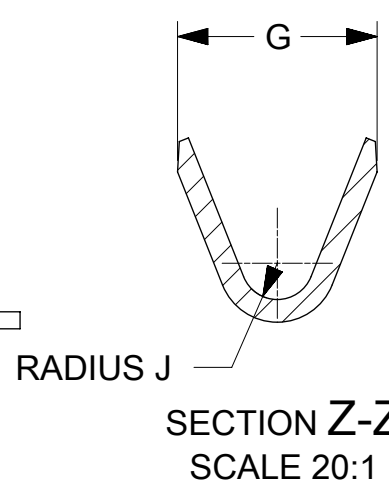
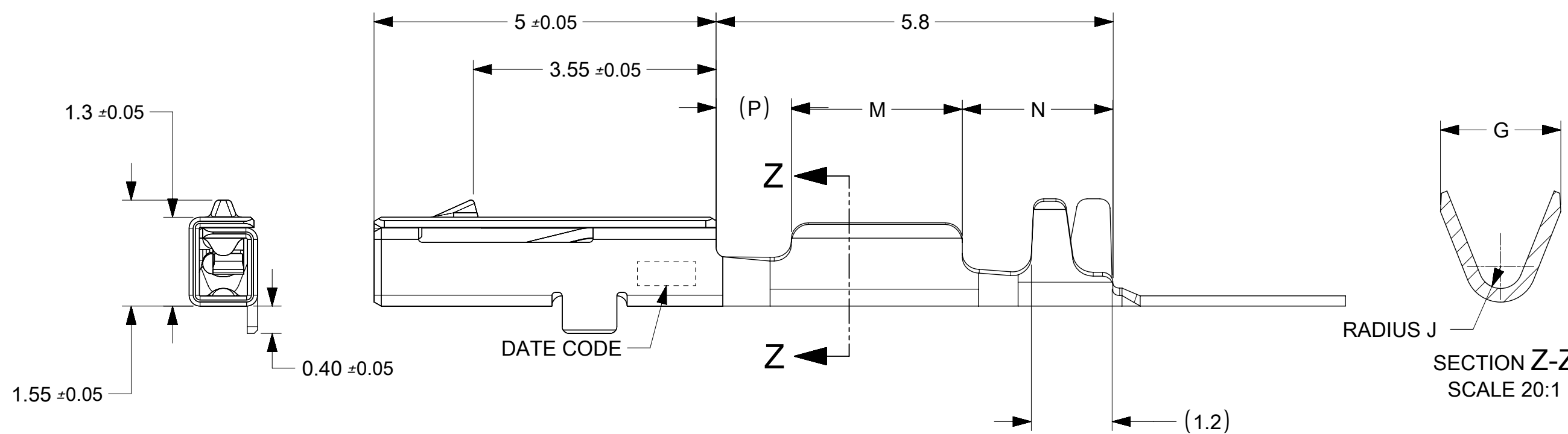
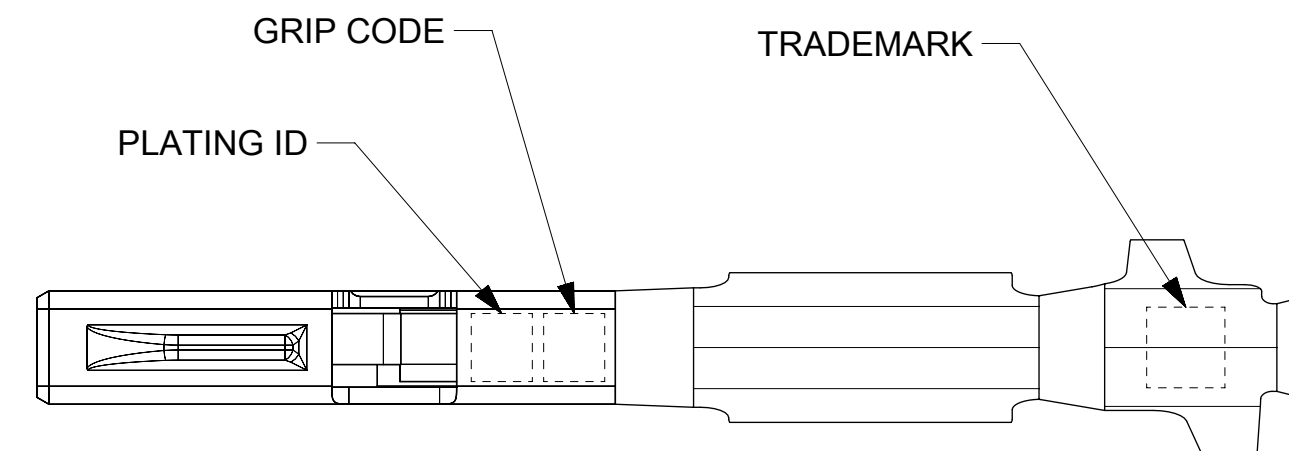


NOTES: (UNLESS OTHERWISE SPECIFIED)

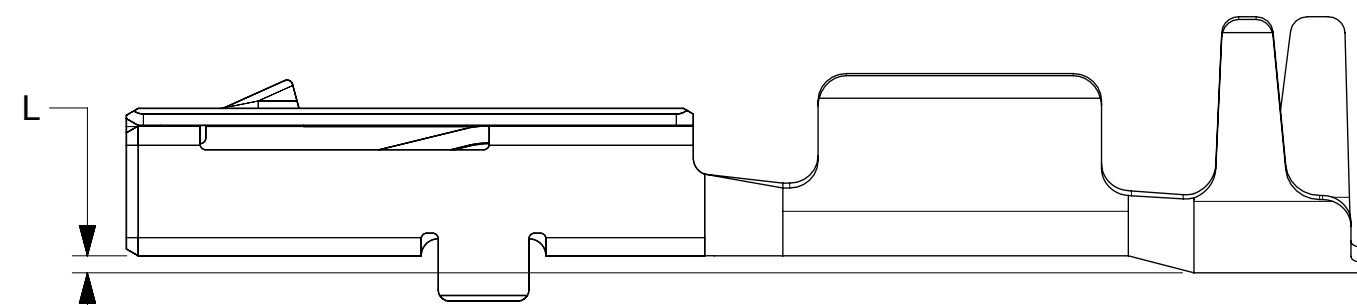
1. MATERIAL: COPPER ALLOY
2. PLATING: SEE TABLE 1
3. PACKAGING PER 313025040
4. CRIMPING PER AS-560023-001
5. PROBING THE CONTACT INTERFACE OF THE TERMINAL OR AT ANY POINT ON THE TERMINAL BEAM IS NOT PERMITTED



SECTION Y-Y
SCALE 20:1



SECTION Z-Z
SCALE 20:1



LARGE GRIP SHOWN

TABLE 1

| PART NUMBERS | | Plating | STATUS | GRIP CODE | WIRE GAGE mm ² | INSULATION MAX O.D. mm | DIM G | DIM H | DIM J | DIM K | DIM L | DIM M | DIM N | DIM P |
|------------------------------|-----------------------|---------|----------|-----------|---------------------------|------------------------|----------------|-------|-------|-------|-------|-------|-------|-------|
| D-WIND (LEFT PAYOFF) DEFAULT | B-WIND (RIGHT PAYOFF) | | | | | | +0.20 -0.15 | ±0.20 | ±0.10 | ±0.20 | ±0.05 | ±0.10 | ±0.10 | REF |
| 560023-0421 | 560023-0423 | Sn | SALEABLE | M | 0.22 | 1.05 | 1.65 | 2.25 | 0.45 | 0.47 | 0.00 | 2.00 | 2.4 | 1.4 |
| 560023-0444 | 560023-0445 | Sn | | S | 0.13 | 1.05 | 1.32 | 1.90 | 0.24 | 0.41 | 0.00 | 2.50 | 2.2 | 1.1 |
| 560023-0448 | 560023-0450 | Sn | | L | 0.35 | 1.40 | 1.65 | 2.35 | 0.40 | 0.68 | 0.15 | 2.50 | 2.2 | 1.1 |
| 560023-0544 | 560023-0545 | Au | | S | 0.13 | 1.05 | 1.32 | 1.90 | 0.24 | 0.41 | 0.00 | 2.50 | 2.2 | 1.1 |
| 560023-0548 | 560023-0550 | Au | | L | 0.35 | 1.40 | 1.65 | 2.35 | 0.40 | 0.68 | 0.15 | 2.50 | 2.2 | 1.1 |

| | | | | | | | | | | | | | | |
|-----------------|---|---------------------------------------|--|-----------------|--------------|------------|------------------------|--|--------------------------|--|-----------------|--|-----------------------|--|
| QUALITY SYMBOLS | THIS DRAWING CONTAINS INFORMATION THAT IS PROPRIETARY TO MOLEX ELECTRONIC TECHNOLOGIES, LLC AND SHOULD NOT BE USED WITHOUT WRITTEN PERMISSION | | | | | | | | | | | | | |
| ▽ = 0 | EC DESCRIPTION 2020/11/11 2020/11/12 2020/11/16 EC NO: 649060 DRWN: SMAHADIK CHKD: TOMSMITH REV APPR: JCUATACERVAN | GENERAL TOLERANCES (UNLESS SPECIFIED) | | DIMENSION UNITS | | SCALE | | | | | | | | |
| ▽ = 0 | | | | mm | | 15:1 | | | | | | | | |
| ▽ = 0 | | | | DRWN BY | | DATE | | | | | | | | |
| ▽ = 0 | | | | TJSMITH | | 2009/05/02 | | | | | | | | |
| ▽ = 0 | | | | CHK'D BY | | DATE | | | | | | | | |
| ▽ = 0 | | | | DNICHOLAS | | 2009/05/20 | | | | | | | | |
| ▽ = 0 | | | APPR BY | | DATE | | | | | | | | | |
| ▽ = 0 | | | BMOSER | | 2009/05/20 | | | | | | | | | |
| ▽ = 0 | | | ANGULAR TOL = 5 | | DRAWING SIZE | | THIRD ANGLE PROJECTION | | PRODUCT CUSTOMER DRAWING | | | | | |
| ▽ = 0 | | | DRAFT WHERE APPLICABLE MUST REMAIN WITHIN DIMENSIONS | | C | | | | SERIES | | MATERIAL NUMBER | | CUSTOMER | |
| ▽ = 0 | | | | | | | | | 560023 | | SEE TABLE | | GENERAL MARKET | |
| ▽ = 0 | | | | | | | | | DOCUMENT NUMBER | | DOC TYPE | | DOC PART SHEET NUMBER | |
| ▽ = 0 | | | | | | | | | SD-560023-002 | | PSD | | 000 1 OF 1 | |

X-ON Electronics

Largest Supplier of Electrical and Electronic Components

Click to view similar products for [Automotive Connectors](#) category:

Click to view products by [Molex](#) manufacturer:

Other Similar products are found below :

[003-018-000](#) [60993906-B](#) [72.330.1035.1](#) [73.353.4028.0](#) [F358300-B](#) [F407400](#) [776880-1](#) [827153-1](#) [8N1515-32-24P](#) [9-1326729-8](#) [925474-1](#)
[928905-1](#) [964562-4](#) [968782-1](#) [98891-1012](#) [12004475-L](#) [12041318-B](#) [12052466](#) [12015909](#) [1-21030-1](#) [12041318](#) [12047957](#) [12185550](#)
[12336-12](#) [12147304](#) [13681974](#) [13755420](#) [13783086](#) [13830674](#) [13832576](#) [13542772](#) [1393425-2](#) [13964573](#) [1428188-1](#) [1437287-3](#) [1438231-](#)
[5](#) [1428188-2](#) [DS00-7P-090](#) [DS07-19S-5020](#) [1456983-5](#) [1456987-7](#) [APD-7CP-H](#) [APK-SB25A10L](#) [1452931-2](#) [15317331](#) [15355238](#)
[15435215](#) [15491972](#) [15305306](#) [15369261](#)