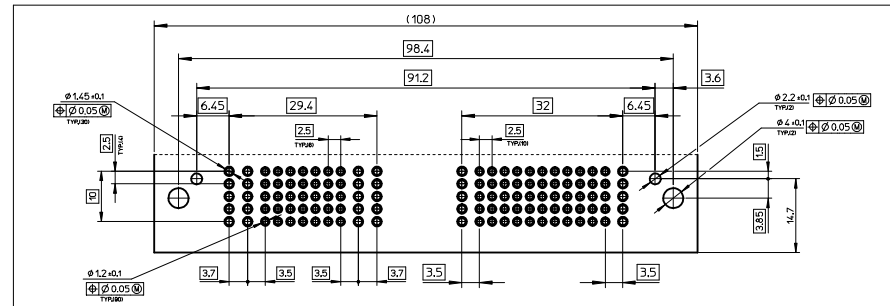
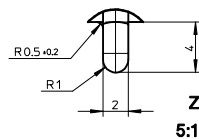
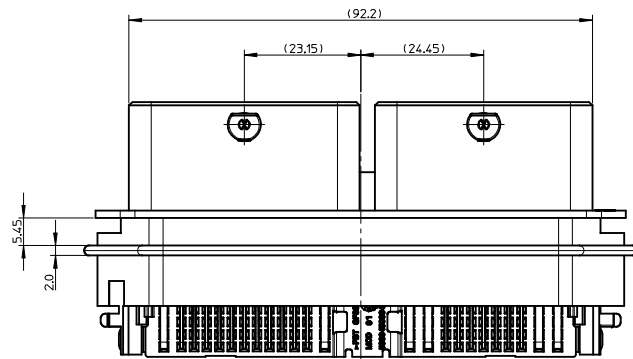
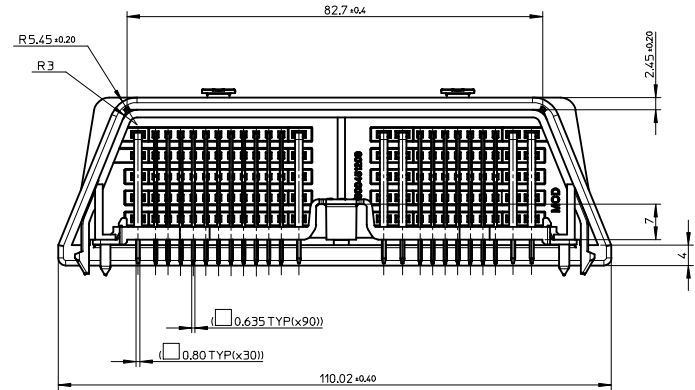
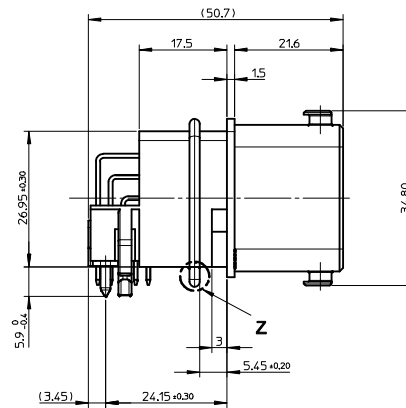
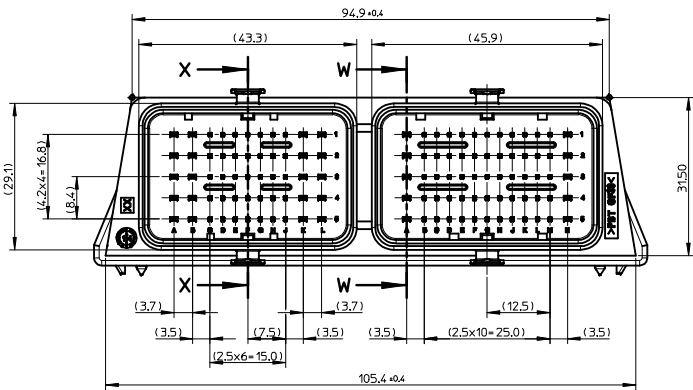
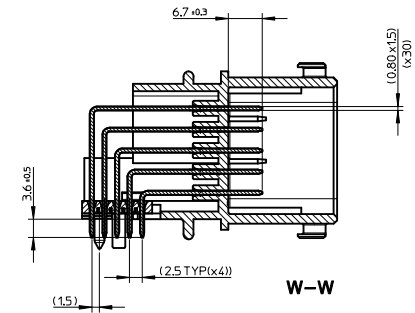
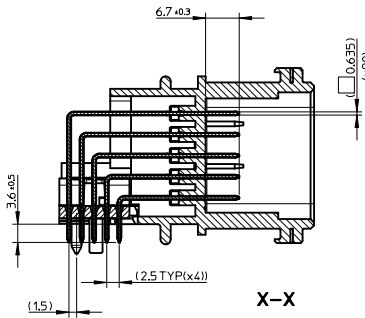
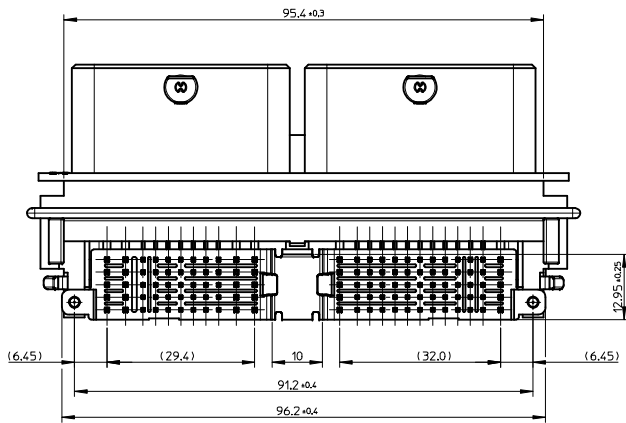


NOTES
1 - PART FREE OF SOLVENT CONTAINING SILICONE AND GREASE.

				5600451201	MOLEX P/N
				CMX HEADER RA ASSY 120CKT	DESCRIPTION
				PK-560045-001	PACKAGING
				99.05 g	WEIGHT
12	PIN 150 - ROW 1	COPPER ALLOY	Sn PLATING		6
11	PIN 150 - ROW 2				6
10	PIN 150 - ROW 3				6
9	PIN 150 - ROW 4				6
8	PIN 150 - ROW 5				6
7	PIN 064 - ROW 1	COPPER ALLOY	Sn PLATING		18
6	PIN 064 - ROW 2				18
5	PIN 064 - ROW 3				18
4	PIN 064 - ROW 4				18
3	PIN 064 - ROW 5				18
2	PIN GUIDING PLATE	>PBT-GF30<	BLACK		1
1	HEADER 120 CKT	>PBT-GF30<	BLACK		1
POS.	DESIGNATION	MATERIAL	COLOUR	SURFACE FINISH	QUANTITY

TO MODIFY LASER MARKING EC NO: G2015-0213 DRAWN BY: PGRANDCL CHKD BY: DPLESSIS APPR: SLAFAURE 2014/12/02 2014/12/02 2015/10/05	QUALITY SYMBOLS ∇=0 ∇=0 ∇=0	GENERAL TOLERANCES (UNLESS SPECIFIED)		DIMENSION STYLE MM ONLY		SCALE 2:1	DESIGN UNITS METRIC	FIRST ANGLE PROJECTION
		4 PLACES ± --- ± --- 3 PLACES ± --- ± --- 2 PLACES ± 0.30 ± --- 1 PLACE ± 0.25 ± --- 0 PLACE ± 0.20 ± ---	mmm INCH ± --- ± --- ± 0.30 ± --- ± 0.25 ± --- ± 0.20 ± ---	DRAWN BY DATE PGRANDCL 2014/06/25 CHECKED BY DATE DPLESSIS 2014/06/25 APPROVED BY DATE SLAFAURE 2014/06/26	TITLE CMX 120W HEADER ASSEMBLED SERIAL			
		ANGULAR ± 2 ° DRAFT WHERE APPLICABLE MUST REMAIN WITHIN DIMENSIONS		MATERIAL NO. 5600451201	DOCUMENT NO. SD-560045-010	SHEET NO. 1 OF 2		
		THIS DRAWING CONTAINS INFORMATION THAT IS PROPRIETARY TO MOLEX INCORPORATED AND SHOULD NOT BE USED WITHOUT WRITTEN PERMISSION						



RECOMENDED PCB LAYOUT (COMPONENT SIDE)

SCALE 2:1

SEE SHEET 1 EC NO: G2015-02B DRAWN: PGRANDCL CHKD: DPLESSIS APPROV: SLAFAURE	2014/12/02	QUALITY SYMBOLS	GENERAL TOLERANCES (UNLESS SPECIFIED)		DIMENSION STYLE MM ONLY		SCALE 2:1	DESIGN UNITS METRIC	FIRST ANGLE PROJECTION
	2014/12/02	▽=0	mm	INCH	DRAWN BY	DATE	TITLE	CMX 120W HEADER ASSEMBLED SERIAL molex DOCUMENT NO. SD-560045-010	
	2015/10/05	▽=0,30	DRAFT WHERE APPLICABLE MUST REMAIN WITHIN DIMENSIONS		CHECKED BY	DATE			
		▽=0,25	ANGULAR ± 2°		APPROVED BY	DATE			
	▽=0,20	MATERIAL NO. 5600451201		SLAFAURE	2014/06/26				
REV	DESCRIPTION	SIZE 1		THIS DRAWING CONTAINS INFORMATION THAT IS PROPRIETARY TO MOLEX INCORPORATED AND SHOULD NOT BE WITHOUT WRITTEN PERMISSION					

X-ON Electronics

Largest Supplier of Electrical and Electronic Components

Click to view similar products for [Automotive Connectors](#) category:

Click to view products by [Molex](#) manufacturer:

Other Similar products are found below :

[003-018-000](#) [60403001](#) [60993906-B](#) [M902-2131](#) [M902-2161](#) [72.330.1035.1](#) [73.353.4028.0](#) [F119300-B](#) [F166900](#) [F258300-B](#) [F358300-B](#)
[F407400](#) [F444110](#) [F487000](#) [F509500B-B](#) [827153-1](#) [8N1515-32-24P](#) [9-1326729-8](#) [925474-1](#) [928905-1](#) [964562-4](#) [968782-1](#) [GT17SA-8DS-](#)
[HU](#) [98891-1012](#) [98947-1016](#) [12004147](#) [12004475-L](#) [12010290](#) [12010309-B](#) [12015454](#) [12020219-B](#) [12020308](#) [12041318-B](#) [12052225-L](#)
[12052466](#) [12059125](#) [12064869](#) [12004327-B](#) [12010503-B](#) [12015308](#) [12015384](#) [12015909](#) [1-21030-1](#) [12041254](#) [12041318](#) [12047946-B](#)
[12047957](#) [12047957-L](#) [12059473](#) [12066261](#)