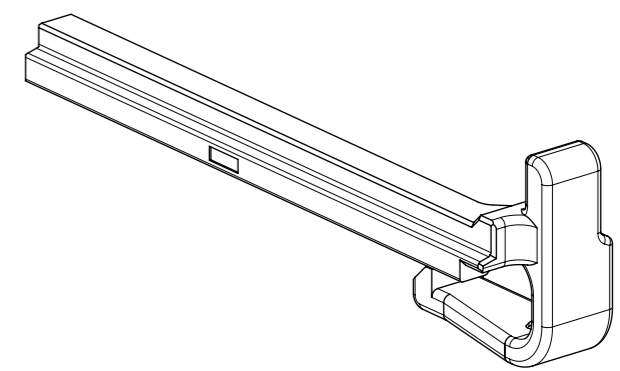
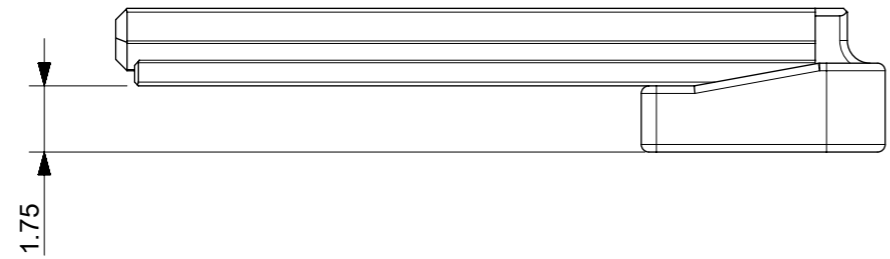
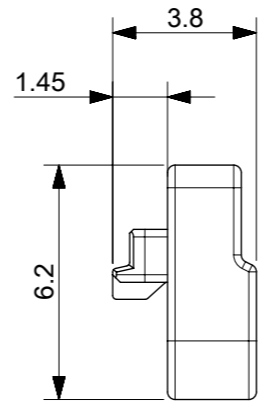
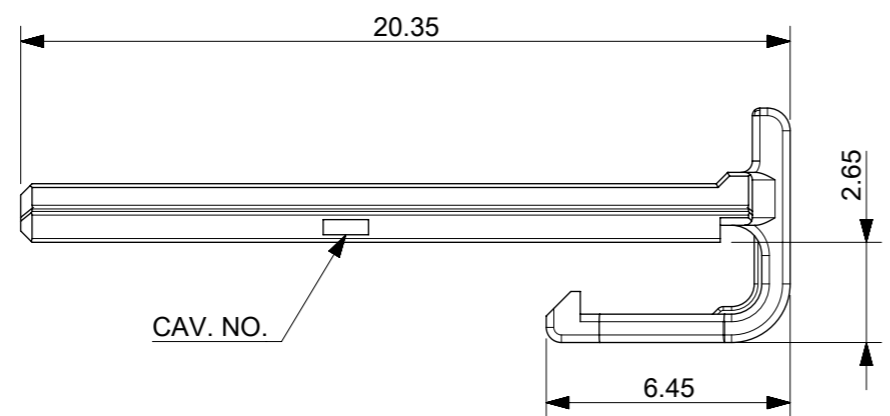
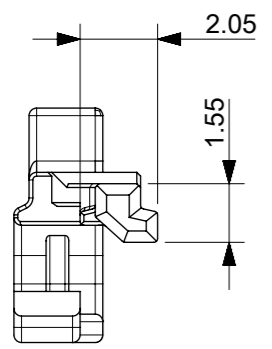


GENERAL TOLERANCE										USED ON
10 MAX	30 MAX	50 MAX	70 MAX	100 MAX	120 MAX	250 MAX	250 OVER	ANGLE	ECCENT	
±0.15	±0.20	±0.30	±0.40	±0.50	±0.75	±0.90	±1.4	±0.5°	0.1	



ISO VIEW



- NOTES :
1. MATERIAL : POLYESTER (PBT), GLASSFILLED, UL94V-0
COLOR : GRAY
 2. APPLICABLE HOUSING : 560123-090*
 3. GENERAL TOLERANCE : SEE TABLE
 4. EVL AND RoHS COMPLIANT
 5. PRODUCT SPECIFICATION : PS-560123-001
 6. PACKING SPECIFICATION : PK-560125-001

ORDER NO.	MATERIAL NO.	COLOR
560125-0900	5601250900	GRAY

THIS DRAWING CONTAINS INFORMATION THAT IS PROPRIETARY TO MOLEX ELECTRONIC TECHNOLOGIES, LLC AND SHOULD NOT BE USED WITHOUT WRITTEN PERMISSION												
QUALITY SYMBOLS 	NEW RELEASE EC NO: 111723 DRWN: SJLEE06 CHK'D: BCYOON REV APPR: JHJANG	GENERAL TOLERANCES (UNLESS SPECIFIED) ANGULAR TOL ± 0.0 °		DIMENSION UNITS	SCALE							
		4 PLACES ± 0.0 3 PLACES ± 0.0 2 PLACES ± 0.0 1 PLACE ± 0.0 0 PLACES ± 0.0		MM	5:1							
		DRAFT WHERE APPLICABLE MUST REMAIN WITHIN DIMENSIONS		DRWN BY: SJLEE06 DATE: 2016/10/11		CHK'D BY: BCYOON DATE: 2016/12/22		PRODUCT CUSTOMER DRAWING				
		DRAWING SIZE: A3		THIRD ANGLE PROJECTION		APPR BY: JHJANG DATE: 2016/12/28		SERIES	MATERIAL NUMBER	CUSTOMER		
		A		REV		A3		560125	5601250900	DOCUMENT NUMBER: 5601250900 DOC TYPE: PSD DOC PART: 000 SHEET NUMBER: 1 OF 1		

RELEASE STATUS	RELEASE DATE

X-ON Electronics

Largest Supplier of Electrical and Electronic Components

Click to view similar products for [Terminal Block Tools & Accessories](#) category:

Click to view products by [Molex](#) manufacturer:

Other Similar products are found below :

[600HL](#) [600RJ-07](#) [600RJ-11](#) [600RJ-14](#) [600RJS-10](#) [600RJS-12](#) [600RJS-15](#) [600RJS-21](#) [601RJ-09](#) [602SP](#) [604J](#) [CSTSPC1-2](#) [88943-2100](#)
[QC102](#) [1437403-6](#) [1437403-9](#) [1437403-8](#) [1453128-1](#) [147832-1](#) [MT2/H--](#) [MT6/H-N](#) [MT6/V-GRND](#) [MT8/H-51-60](#) [BC2-12](#) [BCC-1-8/10](#)
[EP2.5/4UN/BG](#) [1735590](#) [1840227](#) [1840230](#) [2-1437402-1](#) [JA2-03](#) [JB1-03/J](#) [JB2-04](#) [JB2-05](#) [JB2-07](#) [JB2-09/J](#) [PARALLELJUMPERLINK](#)
[JS601](#) [2204082](#) [2302463](#) [2305949](#) [8PCV-BUSHING](#) [8TK2-24](#) [8WA1853](#) [91.201.1](#) [9200768](#) [2778.0](#) [281-421](#) [2MP/J](#) [2MV-06](#)