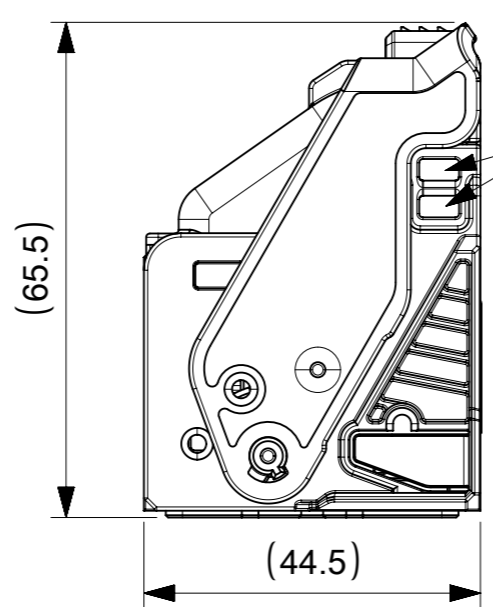
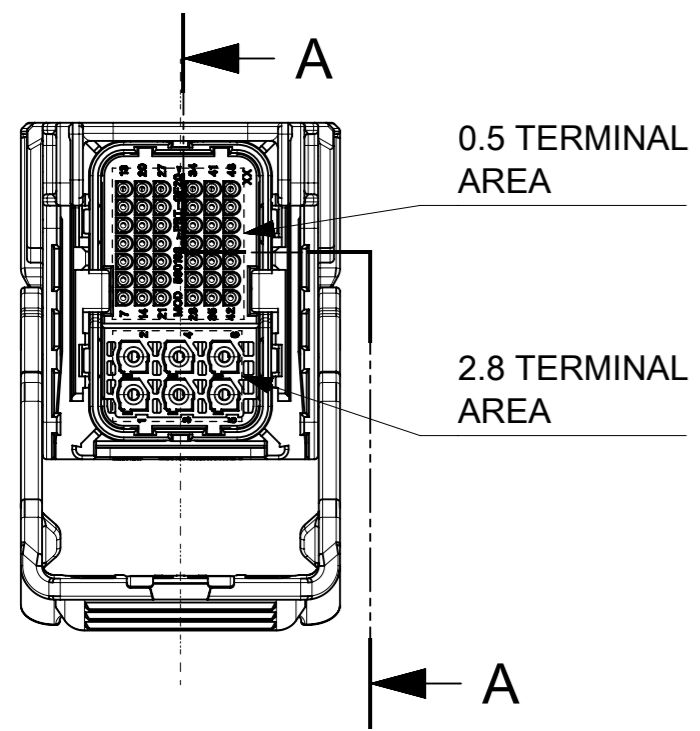
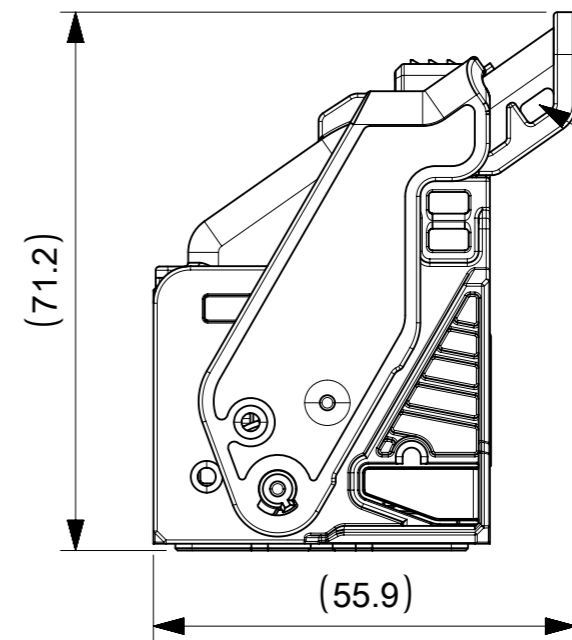


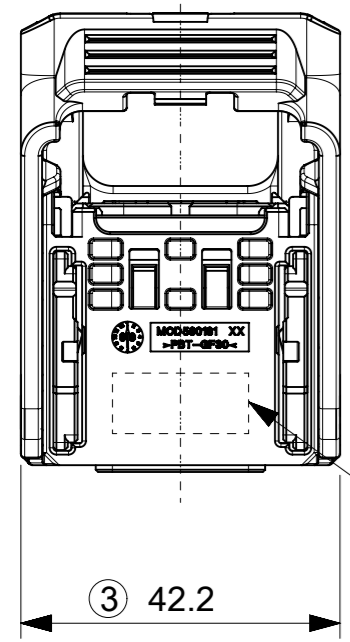
WIRE DRESS COVER OPTION



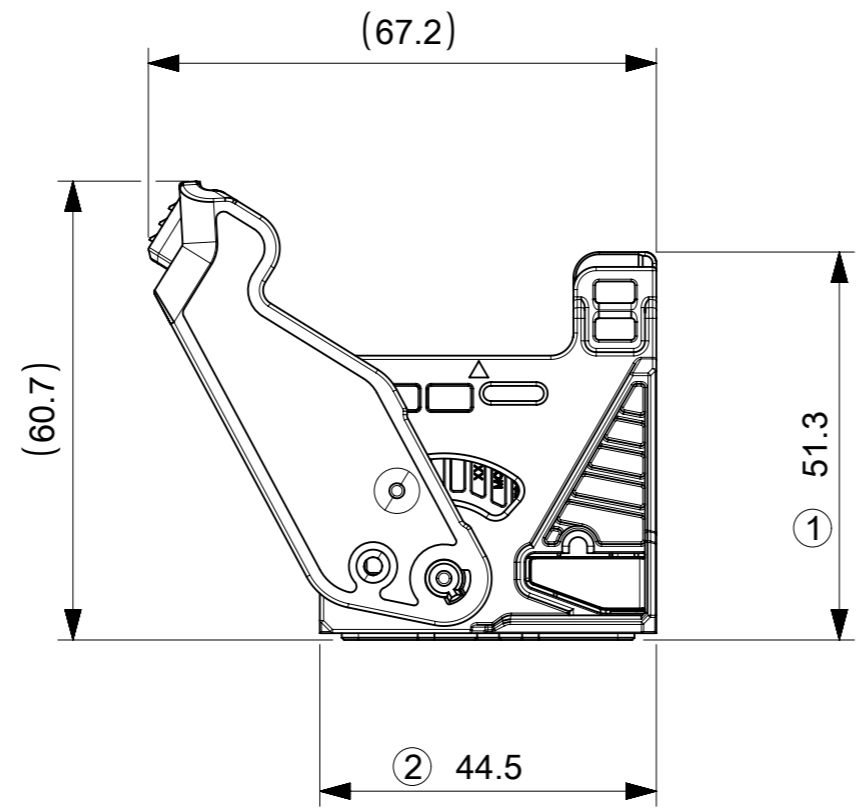
SHORT WIRE DRESS COVER



LONG WIRE DRESS COVER



LOT MARKING  
- MATERIAL No.  
- DATE  
- SHIFT



NOTES

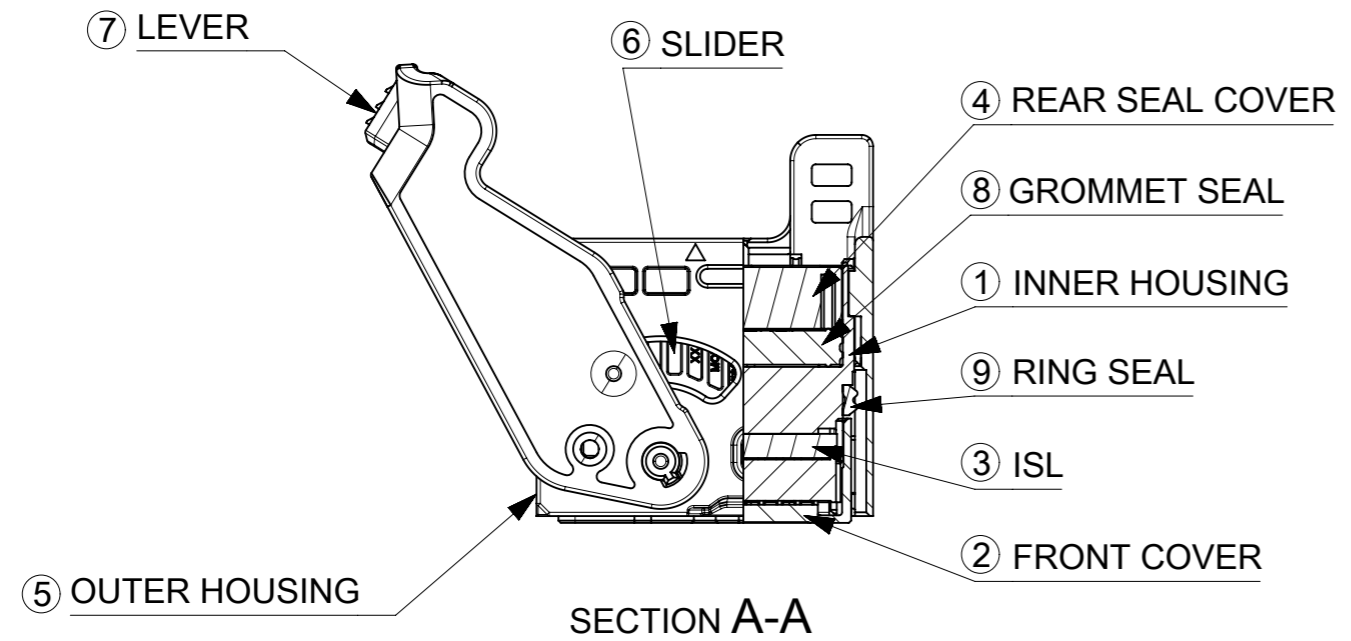
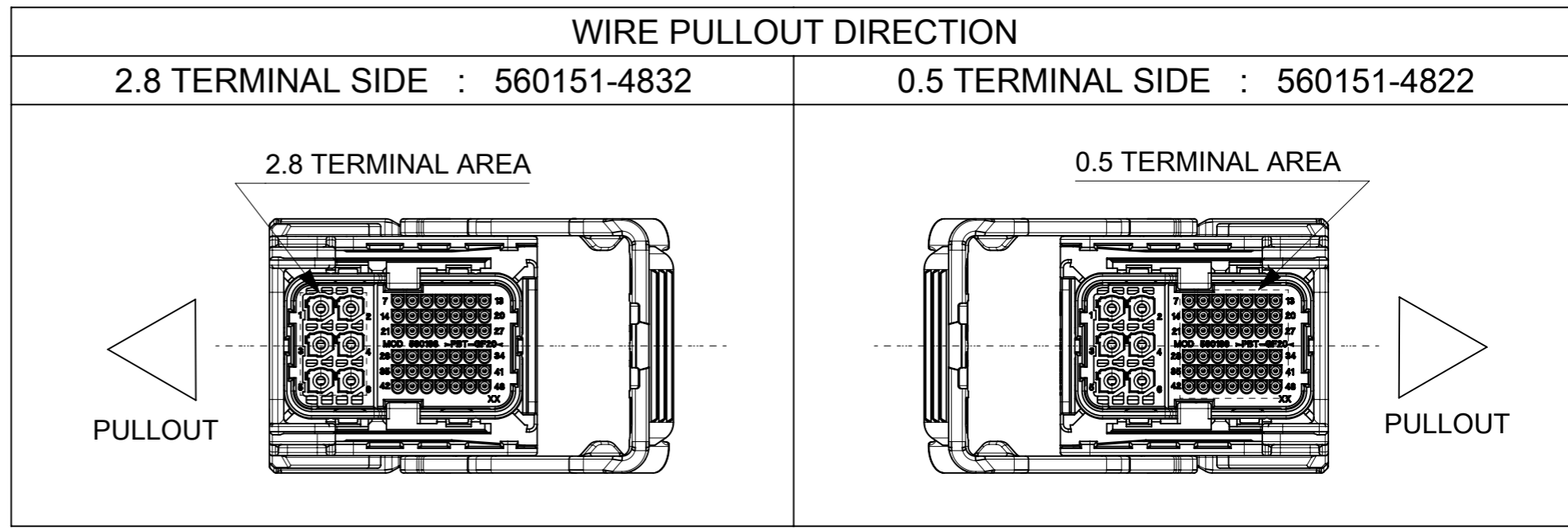
- 1. APPLICABLE TERMINAL  
0.5 : 560121 SERIES  
2.8 : 560122 SERIES
- 2. APPLICABLE WIRE SIZE  
0.5 : REFER AS-560121-001  
2.8 : REFER AS-560122-001
- 3. APPLICABLE INSULATION DIAMETER  
0.5 :  $\varnothing 1.1\sim 1.7$  mm  
2.8 :  $\varnothing 2.5\sim 3.0$  mm
- 4. APPLICABLE DUMMY PLUG  
0.5 : 560144-0115  
2.8 : 560145-0101
- 5. APPLICABLE WIRE DRESS COVER  
SHORT : 560189-0101  
LONG : 560189-0111

0.5 TERMINAL SIDE	560151-4822
2.8 TERMINAL SIDE	560151-4832
WIRE PULLOUT DIRECTION	MATERIAL No.

GENERAL TOLERANCES (UNLESS SPECIFIED)	
10 UNDER	$\pm 0.3$
10 OVER 30 UNDER	$\pm 0.4$
30 OVER	$\pm 0.5$
ANGULAR	$\pm 5^\circ$

THIS DRAWING CONTAINS INFORMATION THAT IS PROPRIETARY TO MOLEX ELECTRONIC TECHNOLOGIES, LLC AND SHOULD NOT BE USED WITHOUT WRITTEN PERMISSION		CURRENT REV DESC:		<b>molex</b>	
DIMENSION UNITS	SCALE	EC NO: 620306			
mm	1:1	DRWN: KKATO01 2019/06/03		COMPACTUS 48WAY ASSY	
GENERAL TOLERANCES (UNLESS SPECIFIED)		CHK'D: TIIDA01 2019/07/17			
ANGULAR TOL	$\pm$	APPR: TOSADA 2019/07/18		PRODUCT CUSTOMER DRAWING	
4 PLACES	$\pm$	INITIAL REVISION:			
3 PLACES	$\pm$	DRWN: KKATO01 2019/06/03		DOCUMENT NUMBER	
2 PLACES	$\pm$	APPR: TOSADA 2019/07/18		5601510002-SD	
1 PLACE	$\pm$	MATERIAL NUMBER		DOC TYPE	DOC PART
0 PLACES	$\pm$	SERIES		PSD	000
DRAFT WHERE APPLICABLE MUST REMAIN WITHIN DIMENSIONS		THIRD ANGLE PROJECTION	DRAWING	REVISION	
			A3-SIZE	A	
			560151	CUSTOMER	SHEET NUMBER
				GENERAL	1 OF 2

WIRE PULLOUT DIRECTION



No.	PRODUCT NAME	MATERIAL	COLOR
1	INNER HOUSING	PBT, UNFILLED	BLACK
2	FRONT COVER	PBT, GLASS-FILLED	BLACK
3	ISL	PBT, GLASS-FILLED	NATURAL (WHITE)
4	REAR SEAL COVER	PBT, GLASS-FILLED	BLACK
5	OUTER HOUSING	PBT, GLASS-FILLED	BLACK
6	SLIDER	PA, GLASS-FILLED	NATURAL (WHITE)
7	LEVER	PBT, GLASS-FILLED	DARK GRAY
8	GROMMET SEAL	SILICONE RUBBER	DARK BLUE
9	RING SEAL	SILICONE RUBBER	YELLOW

THIS DRAWING CONTAINS INFORMATION THAT IS PROPRIETARY TO MOLEX ELECTRONIC TECHNOLOGIES, LLC AND SHOULD NOT BE USED WITHOUT WRITTEN PERMISSION

DIMENSION UNITS <b>mm</b>	SCALE <b>1:1</b>	CURRENT REV DESC:	<b>molex</b>			
GENERAL TOLERANCES (UNLESS SPECIFIED)						
ANGULAR TOL ± °		EC NO: 620306	COMPACTUS 48WAY ASSY			
4 PLACES ±		DRWN: KKATO01 2019/06/03				
3 PLACES ±		CHK'D: TIIDA01 2019/07/17	PRODUCT CUSTOMER DRAWING			
2 PLACES ±		APPR: TOSADA 2019/07/18				
1 PLACE ±		INITIAL REVISION:	DOCUMENT NUMBER	DOC TYPE	DOC PART	REVISION
0 PLACES ±		DRWN: KKATO01 2019/06/03	<b>5601510002-SD</b>	PSD	000	<b>A</b>
DRAFT WHERE APPLICABLE MUST REMAIN WITHIN DIMENSIONS	THIRD ANGLE PROJECTION	DRAWING	SERIES	MATERIAL NUMBER	CUSTOMER	SHEET NUMBER
		A3-SIZE	560151	SEE TABLE	GENERAL	2 OF 2

## X-ON Electronics

Largest Supplier of Electrical and Electronic Components

*Click to view similar products for [Automotive Connectors](#) category:*

*Click to view products by [Molex](#) manufacturer:*

Other Similar products are found below :

[003-018-000](#) [60403001](#) [60993906-B](#) [M902-2131](#) [M902-2161](#) [72.330.1035.1](#) [73.353.4028.0](#) [F119300-B](#) [F166900](#) [F258300-B](#) [F358300-B](#)  
[F407400](#) [F444110](#) [F487000](#) [F509500B-B](#) [827153-1](#) [8N1515-32-24P](#) [9-1326729-8](#) [925474-1](#) [928905-1](#) [964562-4](#) [968782-1](#) [GT17SA-8DS-](#)  
[HU](#) [98891-1012](#) [98947-1016](#) [12004147](#) [12004475-L](#) [12010290](#) [12010309-B](#) [12015454](#) [12020219-B](#) [12020308](#) [12041318-B](#) [12052225-L](#)  
[12052466](#) [12059125](#) [12064869](#) [12004327-B](#) [12010503-B](#) [12015308](#) [12015384](#) [12015909](#) [1-21030-1](#) [12041254](#) [12041318](#) [12047946-B](#)  
[12047957](#) [12047957-L](#) [12059473](#) [12066261](#)