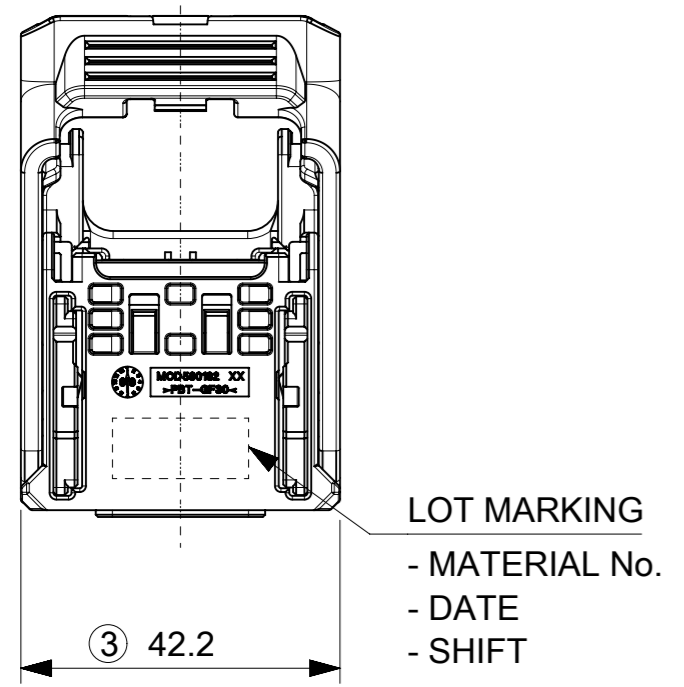
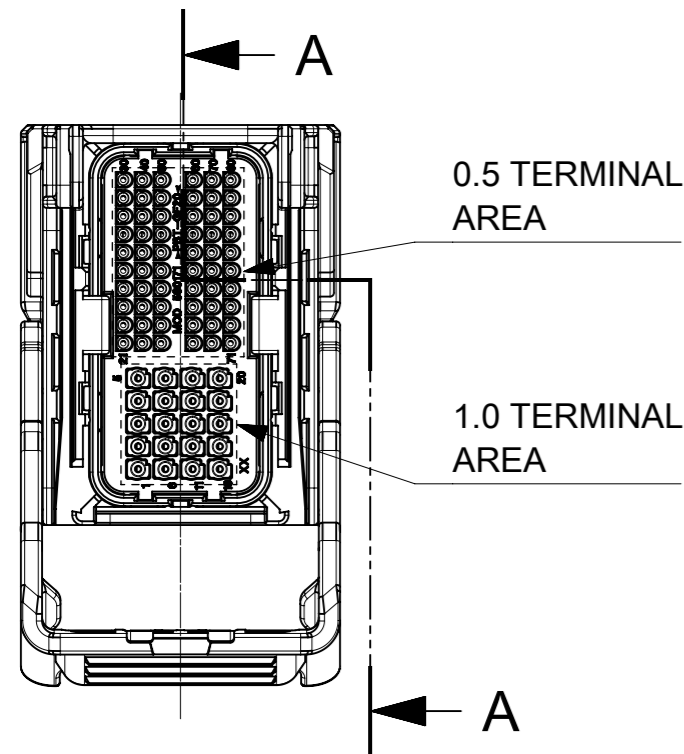
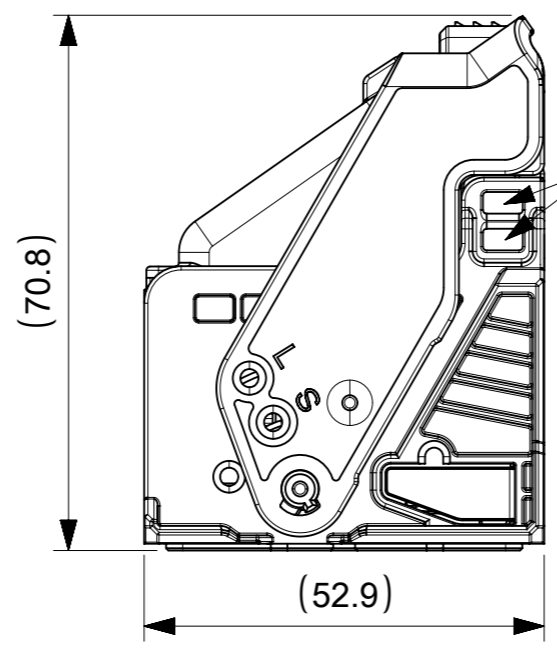


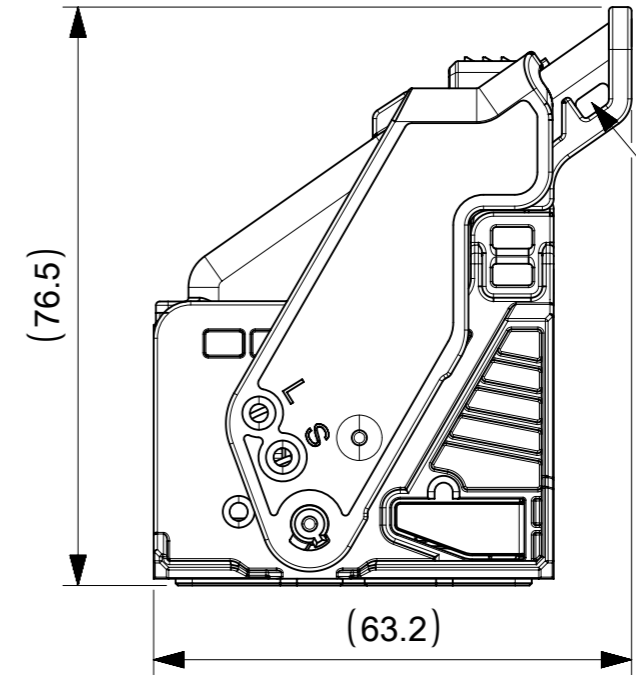
WIRE DRESS COVER OPTION



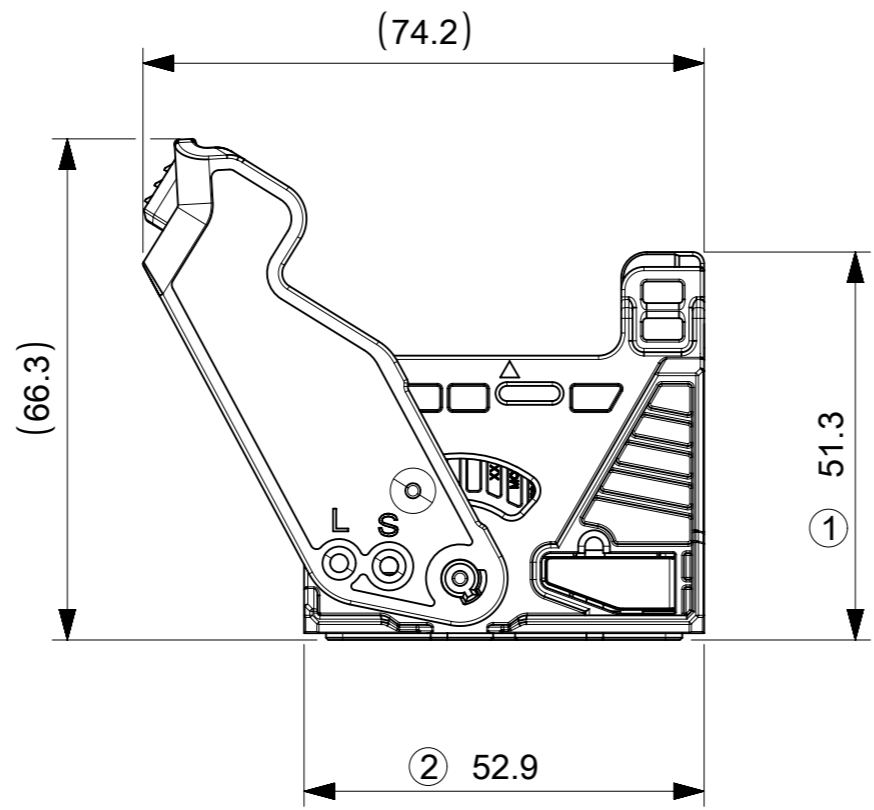
LOT MARKING
 - MATERIAL No.
 - DATE
 - SHIFT



SHORT WIRE DRESS COVER



LONG WIRE DRESS COVER



NOTES

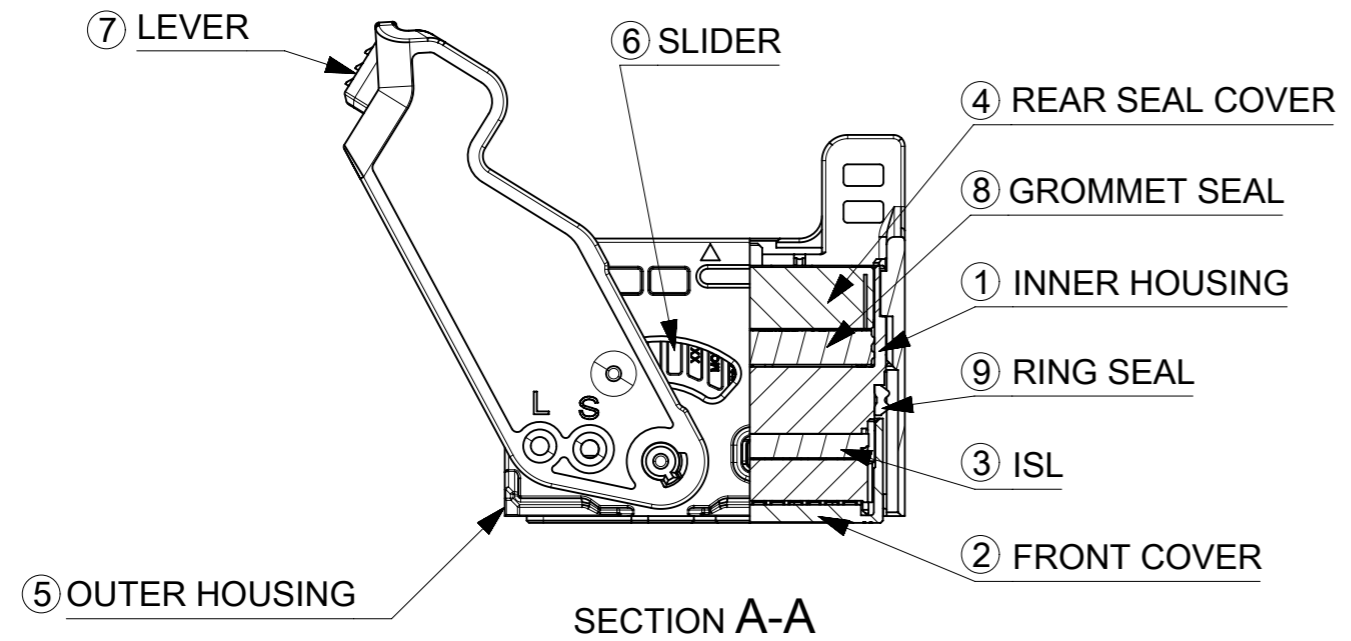
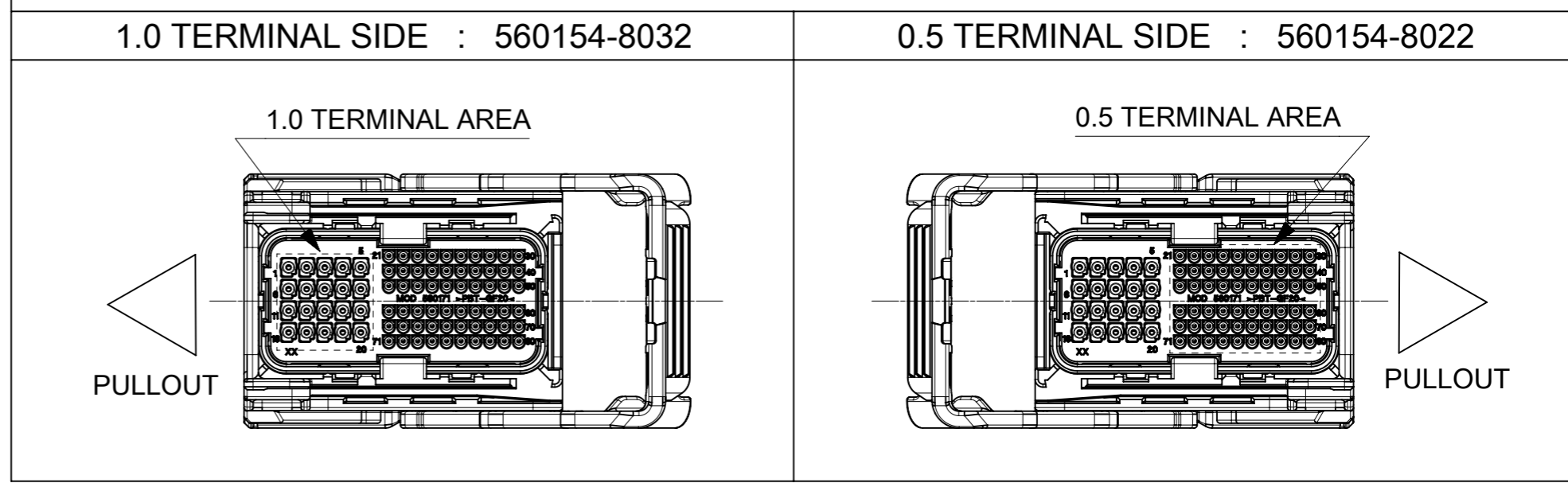
1. APPLICABLE TERMINAL
 0.5 : 560121 SERIES
 1.0 : 560205 SERIES
2. APPLICABLE WIRE SIZE
 0.5 : REFER AS-560121-001
 1.0 : REFER AS-560205-001
3. APPLICABLE INSULATION DIAMETER
 0.5 : $\varnothing 1.1 \sim 1.7$ mm
 1.0 : $\varnothing 1.25 \sim 2.3$ mm
4. APPLICABLE DUMMY PLUG
 0.5 : 560144-0115
 1.0 : 503131-0151
5. APPLICABLE WIRE DRESS COVER
 SHORT : 560190-0101
 LONG : 560190-0111

0.5 TERMINAL SIDE	560154-8022
1.0 TERMINAL SIDE	560154-8032
WIRE PULLOUT DIRECTION	MATERIAL No.

GENERAL TOLERANCES (UNLESS SPECIFIED)		
10 UNDER	± 0.3	
10 OVER 30 UNDER	± 0.4	
30 OVER	± 0.5	
ANGULAR	$\pm 5^\circ$	

THIS DRAWING CONTAINS INFORMATION THAT IS PROPRIETARY TO MOLEX ELECTRONIC TECHNOLOGIES, LLC AND SHOULD NOT BE USED WITHOUT WRITTEN PERMISSION		CURRENT REV DESC:		molex	
DIMENSION UNITS	SCALE	EC NO: 620306			
mm	1:1	DRWN: KKATO01 2019/05/29		COMPACTUS 80WAY ASSY	
GENERAL TOLERANCES (UNLESS SPECIFIED)		CHK'D: TIIDA01 2019/07/17			
ANGULAR TOL	\pm	APPR: TOSADA 2019/07/18		PRODUCT CUSTOMER DRAWING	
4 PLACES	\pm	INITIAL REVISION:			
3 PLACES	\pm	DRWN: KKATO01 2019/05/29		DOCUMENT NUMBER	
2 PLACES	\pm	APPR: TOSADA 2019/07/18		5601540002-SD	
1 PLACE	\pm	SERIES		DOC TYPE	
0 PLACES	\pm	A3-SIZE		PSD	
DRAFT WHERE APPLICABLE MUST REMAIN WITHIN DIMENSIONS		THIRD ANGLE PROJECTION		DOC PART	
		DRAWING		000	
		SERIES		REVISION	
		560154		A	
		MATERIAL NUMBER		SHEET NUMBER	
		SEE TABLE		1 OF 2	
		CUSTOMER			
		GENERAL			

WIRE PULLOUT DIRECTION



No.	PRODUCT NAME	MATERIAL	COLOR
1	INNER HOUSING	PBT, UNFILLED	BLACK
2	FRONT COVER	PBT, GLASS-FILLED	BLACK
3	ISL	PBT, GLASS-FILLED	NATURAL (WHITE)
4	REAR SEAL COVER	PBT, GLASS-FILLED	BLACK
5	OUTER HOUSING	PBT, GLASS-FILLED	BLACK
6	SLIDER	PA, GLASS-FILLED	NATURAL (WHITE)
7	LEVER	PBT, GLASS-FILLED	DARK GRAY
8	GROMMET SEAL	SILICONE RUBBER	BROWN
9	RING SEAL	SILICONE RUBBER	RED-BROWN

THIS DRAWING CONTAINS INFORMATION THAT IS PROPRIETARY TO MOLEX ELECTRONIC TECHNOLOGIES, LLC AND SHOULD NOT BE USED WITHOUT WRITTEN PERMISSION

DIMENSION UNITS mm	SCALE 1:1	CURRENT REV DESC:	molex			
GENERAL TOLERANCES (UNLESS SPECIFIED)						
ANGULAR TOL ± °		EC NO: 620306	COMPACTUS 80WAY ASSY			
4 PLACES ±		DRWN: KKATO01 2019/05/29				
3 PLACES ±		CHK'D: TIIDA01 2019/07/17	PRODUCT CUSTOMER DRAWING			
2 PLACES ±		APPR: TOSADA 2019/07/18				
1 PLACE ±		INITIAL REVISION:	DOCUMENT NUMBER	DOC TYPE	DOC PART	REVISION
0 PLACES ±		DRWN: KKATO01 2019/05/29	5601540002-SD	PSD	000	A
DRAFT WHERE APPLICABLE MUST REMAIN WITHIN DIMENSIONS	THIRD ANGLE PROJECTION	DRAWING	SERIES	MATERIAL NUMBER	CUSTOMER	SHEET NUMBER
		A3-SIZE	560154	SEE TABLE	GENERAL	2 OF 2

X-ON Electronics

Largest Supplier of Electrical and Electronic Components

Click to view similar products for [Automotive Connectors](#) category:

Click to view products by [Molex](#) manufacturer:

Other Similar products are found below :

[003-018-000](#) [60403001](#) [60993906-B](#) [M902-2131](#) [M902-2161](#) [72.330.1035.1](#) [73.353.4028.0](#) [F119300-B](#) [F166900](#) [F258300-B](#) [F358300-B](#)
[F407400](#) [F444110](#) [F487000](#) [F509500B-B](#) [827153-1](#) [8N1515-32-24P](#) [9-1326729-8](#) [925474-1](#) [928905-1](#) [964562-4](#) [968782-1](#) [GT17SA-8DS-](#)
[HU](#) [98891-1012](#) [98947-1016](#) [12004475-L](#) [12010290](#) [12010309-B](#) [12015454](#) [12020219-B](#) [12020308](#) [12041318-B](#) [12052225-L](#) [12052466](#)
[12059125](#) [12064869](#) [12004327-B](#) [12010503-B](#) [12015308](#) [12015384](#) [12015909](#) [1-21030-1](#) [12041254](#) [12041318](#) [12047946-B](#) [12047957](#)
[12047957-L](#) [12059473](#) [12066261](#) [12110546](#)