

PLEASE CHECK WWW.MOLEX.COM FOR LATEST PART INFORMATION

Part Number: [0621002000](#)
Status: **Active**
Overview: [Application Tooling](#)
Description: IDT - Manual - Handtool

Documents:
[RoHS Certificate of Compliance \(PDF\)](#)

General

Product Family	Application Tooling
Series	207129
Comments	Module for Milli-Grid
Function	Insulation Displacement (IDT)
Geographic Area	Global
Level of Automation	Manual
More Detailed Tech Information	applicationtooling@molex.com
Overview	Application Tooling
Product Name	N/A
Tool Type	IDT Hand Tool
UPC	800753942936
Warranty Disclaimer	CAUTION: Molex tooling crimp specifications are valid only when used with Molex terminals and tooling manufactured by Molex and sold by Molex or authorized distributors ("Molex Tooling"). When using tooling other than Molex Tooling with Molex specific connector systems listed in our ATS documents, the Molex tooling qualification does not apply and the responsibility for full qualification of the connector system is that of the customer. Molex accepts no liability for connector performance or tooling support where tooling other than Molex Tooling is used or where Molex Tooling is modified.

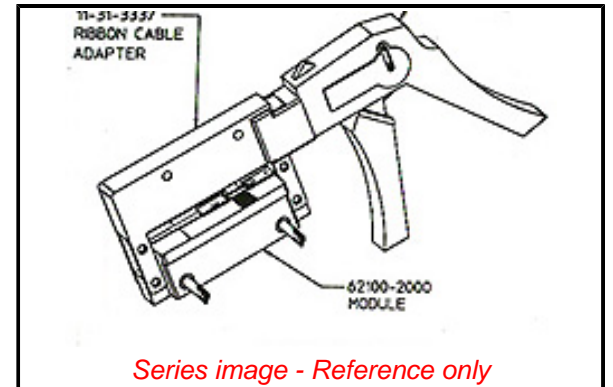
Physical

Net Weight 423.690/g

Material Info

Reference - Drawing Numbers

[Application Tooling Documents](#) [ATS-621002000-001](#)



Series image - Reference only

EU ELV

Not Relevant

EU RoHS

Compliant

REACH SVHC

Not Contained Per -
D(2021)4569-DC (8
July 2021)

Halogen-Free

Status

Not Relevant

For more information, please visit [Contact US](#)

China ROHS

ELV

RoHS Phthalates

China RoHS

Not Relevant

Not Relevant

Not Contained

Search Parts in this Series

[207129 Series](#)

Use With

[63600-0478](#)

Application Tooling | [FAQ](#)

Description

Product #

Milli-Grid Cable-to-
Board Receptacle,
Dual Row, IDT,
Lead-Free, 10
Circuits, 0.38µm
Gold (Au) Selective
Plating, without
Center Polarization
Key and Locking
Friction Ramp

[875681063](#)

Milli-Grid Cable-to-
Board Receptacle,
Dual Row, IDT,
Lead-Free, 10
Circuits, 0.76µm
Gold (Au) Selective
Plating, without

[875681064](#)

Center Polarization
Key and Locking
Friction Ramp
Milli-Grid Cable-to- 875681073
Board Receptacle,
Dual Row, IDT,
Lead-Free, 10
Circuits, 0.38 μ m
Gold (Au) Selective
Plating, without
Center Polarization
Key, with Locking
Friction Ramp
Milli-Grid Cable-to- 875681074
Board Receptacle,
Dual Row, IDT,
Lead-Free, 10
Circuits, 0.76 μ m
Gold (Au) Selective
Plating, without
Center Polarization
Key, with Locking
Friction Ramp
Milli-Grid Cable-to- 875681263
Board Receptacle,
Dual Row, IDT,
Lead-Free, 12
Circuits, 0.38 μ m
Gold (Au) Selective
Plating, without
Center Polarization
Key and Locking
Friction Ramp
Milli-Grid Cable-to- 875681264
Board Receptacle,
Dual Row, IDT,
Lead-Free, 12
Circuits, 0.76 μ m
Gold (Au) Selective
Plating, without
Center Polarization
Key and Locking
Friction Ramp
Milli-Grid Cable-to- 875681273
Board Receptacle,
Dual Row, IDT,
Lead-Free, 12
Circuits, 0.38 μ m
Gold (Au) Selective
Plating, without
Center Polarization
Key, with Locking
Friction Ramp
Milli-Grid Cable-to- 875681274
Board Receptacle,
Dual Row, IDT,
Lead-Free, 12
Circuits, 0.76 μ m
Gold (Au) Selective
Plating, without
Center Polarization
Key, with Locking
Friction Ramp
Milli-Grid Cable-to- 875681443
Board Receptacle,

Dual Row, IDT,
Lead-Free, 14
Circuits, 0.38 μ m
Gold (Au) Selective
Plating, with Center
Polarization Key,
without Locking
Friction Ramp

Milli-Grid Cable-to- 875681444

Board Receptacle,
Dual Row, IDT,
Lead-Free, 14
Circuits, 0.76 μ m
Gold (Au) Selective
Plating, with Center
Polarization Key,
without Locking
Friction Ramp

Milli-Grid Cable-to- 875681463

Board Receptacle,
Dual Row, IDT,
Lead-Free, 14
Circuits, 0.38 μ m
Gold (Au) Selective
Plating, without
Center Polarization
Key and Locking
Friction Ramp

Milli-Grid Cable-to- 875681464

Board Receptacle,
Dual Row, IDT,
Lead-Free, 14
Circuits, 0.76 μ m
Gold (Au) Selective
Plating, without
Center Polarization
Key and Locking
Friction Ramp

MGrid IDT Rec W/ 875681483

LRmp .38AuLF
14Ckt

MGrid IDT Rec W/ 875681484

LRmp .76AuLF
14Ckt

Milli-Grid Cable-to- 875681493

Board Receptacle,
Dual Row, IDT,
Lead-Free, 14
Circuits, 0.38 μ m
Gold (Au) Selective
Plating, with Center
Polarization Key
and Locking Friction
Ramp

Milli-Grid Cable-to- 875681494

Board Receptacle,
Dual Row, IDT,
Lead-Free, 14
Circuits, 0.76 μ m
Gold (Au) Selective
Plating, with Center
Polarization Key
and Locking Friction
Ramp

Milli-Grid Cable-to-Board Receptacle, Dual Row, IDT, Lead-Free, 16 Circuits, 0.38µm Gold (Au) Selective Plating, with Center Polarization Key, without Locking Friction Ramp	<u>875681643</u>
Milli-Grid Cable-to-Board Receptacle, Dual Row, IDT, Lead-Free, 16 Circuits, 0.76µm Gold (Au) Selective Plating, with Center Polarization Key, without Locking Friction Ramp	<u>875681644</u>
Milli-Grid Cable-to-Board Receptacle, Dual Row, IDT, Lead-Free, 16 Circuits, 0.38µm Gold (Au) Selective Plating, without Center Polarization Key and Locking Friction Ramp	<u>875681663</u>
Milli-Grid Cable-to-Board Receptacle, Dual Row, IDT, Lead-Free, 16 Circuits, 0.76µm Gold (Au) Selective Plating, without Center Polarization Key and Locking Friction Ramp	<u>875681664</u>
MGrid IDT Rec W/ LRmp .38AuLF 16Ckt	<u>875681683</u>
MGrid IDT Rec W/ LRmp .76AuLF 16Ckt	<u>875681684</u>
Milli-Grid Cable-to-Board Receptacle, Dual Row, IDT, Lead-Free, 16 Circuits, 0.38µm Gold (Au) Selective Plating, with Center Polarization Key and Locking Friction Ramp	<u>875681693</u>
Milli-Grid Cable-to-Board Receptacle, Dual Row, IDT, Lead-Free, 16 Circuits, 0.76µm Gold (Au) Selective Plating, with Center Polarization Key	<u>875681694</u>

and Locking Friction
Ramp

Milli-Grid Cable-to- 875682043
Board Receptacle,
Dual Row, IDT,
Lead-Free, 20
Circuits, 0.38 μ m
Gold (Au) Selective
Plating, with Center
Polarization Key,
without Locking
Friction Ramp

Milli-Grid Cable-to- 875682044
Board Receptacle,
Dual Row, IDT,
Lead-Free, 20
Circuits, 0.76 μ m
Gold (Au) Selective
Plating, with Center
Polarization Key,
without Locking
Friction Ramp

Milli-Grid Cable-to- 875682063
Board Receptacle,
Dual Row, IDT,
Lead-Free, 20
Circuits, 0.38 μ m
Gold (Au) Selective
Plating, without
Center Polarization
Key and Locking
Friction Ramp

Milli-Grid Cable-to- 875682064
Board Receptacle,
Dual Row, IDT,
Lead-Free, 20
Circuits, 0.76 μ m
Gold (Au) Selective
Plating, without
Center Polarization
Key and Locking
Friction Ramp

MGrid IDT Rec W/ 875682083
LRmp .38AuLF
20Ckt

MGrid IDT Rec W/ 875682084
LRmp .76AuLF
20Ckt

Milli-Grid Cable-to- 875682093
Board Receptacle,
Dual Row, IDT,
Lead-Free, 20
Circuits, 0.38 μ m
Gold (Au) Selective
Plating, with Center
Polarization Key
and Locking Friction
Ramp

Milli-Grid Cable-to- 875682094
Board Receptacle,
Dual Row, IDT,
Lead-Free, 20
Circuits, 0.76 μ m
Gold (Au) Selective
Plating, with Center

Polarization Key
and Locking Friction
Ramp

Milli-Grid Cable-to- 875682243
Board Receptacle,
Dual Row, IDT,
Lead-Free, 22
Circuits, 0.38µm
Gold (Au) Selective
Plating, with Center
Polarization Key,
without Locking
Friction Ramp

Milli-Grid Cable-to- 875682244
Board Receptacle,
Dual Row, IDT,
Lead-Free, 22
Circuits, 0.76µm
Gold (Au) Selective
Plating, with Center
Polarization Key,
without Locking
Friction Ramp

Milli-Grid Cable-to- 875682263
Board Receptacle,
Dual Row, IDT,
Lead-Free, 22
Circuits, 0.38µm
Gold (Au) Selective
Plating, without
Center Polarization
Key and Locking
Friction Ramp

Milli-Grid Cable-to- 875682264
Board Receptacle,
Dual Row, IDT,
Lead-Free, 22
Circuits, 0.76µm
Gold (Au) Selective
Plating, without
Center Polarization
Key and Locking
Friction Ramp

MGrid IDT Rec W/
LRmp .38AuLF 875682283
22Ckt

MGrid IDT Rec W/
LRmp .76AuLF 875682284
22Ckt

Milli-Grid Cable-to- 875682293
Board Receptacle,
Dual Row, IDT,
Lead-Free, 22
Circuits, 0.38µm
Gold (Au) Selective
Plating, with Center
Polarization Key
and Locking Friction
Ramp

Milli-Grid Cable-to- 875682294
Board Receptacle,
Dual Row, IDT,
Lead-Free, 22
Circuits, 0.76µm
Gold (Au) Selective

Plating, with Center
Polarization Key
and Locking Friction
Ramp

Milli-Grid Cable-to- 875682443

Board Receptacle,
Dual Row, IDT,
Lead-Free, 24
Circuits, 0.38 μ m
Gold (Au) Selective
Plating, with Center
Polarization Key,
without Locking
Friction Ramp

Milli-Grid Cable-to- 875682444

Board Receptacle,
Dual Row, IDT,
Lead-Free, 24
Circuits, 0.76 μ m
Gold (Au) Selective
Plating, with Center
Polarization Key,
without Locking
Friction Ramp

Milli-Grid Cable-to- 875682463

Board Receptacle,
Dual Row, IDT,
Lead-Free, 24
Circuits, 0.38 μ m
Gold (Au) Selective
Plating, without
Center Polarization
Key and Locking
Friction Ramp

Milli-Grid Cable-to- 875682464

Board Receptacle,
Dual Row, IDT,
Lead-Free, 24
Circuits, 0.76 μ m
Gold (Au) Selective
Plating, without
Center Polarization
Key and Locking
Friction Ramp

MGrid IDT Rec W/ 875682483

LRmp .38AuLF
24Ckt

MGrid IDT Rec W/ 875682484

LRmp .76AuLF
24Ckt

Milli-Grid Cable-to- 875682493

Board Receptacle,
Dual Row, IDT,
Lead-Free, 24
Circuits, 0.38 μ m
Gold (Au) Selective
Plating, with Center
Polarization Key
and Locking Friction
Ramp

Milli-Grid Cable-to- 875682494

Board Receptacle,
Dual Row, IDT,
Lead-Free, 24
Circuits, 0.76 μ m

Gold (Au) Selective
Plating, with Center
Polarization Key
and Locking Friction
Ramp

Milli-Grid Cable-to- 875682643
Board Receptacle,
Dual Row, IDT,
Lead-Free, 26
Circuits, 0.38 μ m

Gold (Au) Selective
Plating, with Center
Polarization Key,
without Locking
Friction Ramp

Milli-Grid Cable-to- 875682644
Board Receptacle,
Dual Row, IDT,
Lead-Free, 26
Circuits, 0.76 μ m

Gold (Au) Selective
Plating, with Center
Polarization Key,
without Locking
Friction Ramp

Milli-Grid Cable-to- 875682663
Board Receptacle,
Dual Row, IDT,
Lead-Free, 26
Circuits, 0.38 μ m

Gold (Au) Selective
Plating, without
Center Polarization
Key and Locking
Friction Ramp

Milli-Grid Cable-to- 875682664
Board Receptacle,
Dual Row, IDT,
Lead-Free, 26
Circuits, 0.76 μ m

Gold (Au) Selective
Plating, without
Center Polarization
Key and Locking
Friction Ramp

MGrid IDT Rec W/ 875682683
LRmp .38AuLF
26Ckt

MGrid IDT Rec W/ 875682684
LRmp .76AuLF
26Ckt

Milli-Grid Cable-to- 875682693
Board Receptacle,
Dual Row, IDT,
Lead-Free, 26
Circuits, 0.38 μ m

Gold (Au) Selective
Plating, with Center
Polarization Key
and Locking Friction
Ramp

Milli-Grid Cable-to- 875682694
Board Receptacle,
Dual Row, IDT,
Lead-Free, 26

Circuits, 0.76µm
Gold (Au) Selective
Plating, with Center
Polarization Key
and Locking Friction
Ramp

Milli-Grid Cable-to- 875683043

Board Receptacle,
Dual Row, IDT,
Lead-Free, 30

Circuits, 0.38µm
Gold (Au) Selective
Plating, with Center
Polarization Key,
without Locking
Friction Ramp

Milli-Grid Cable-to- 875683044

Board Receptacle,
Dual Row, IDT,
Lead-Free, 30

Circuits, 0.76µm
Gold (Au) Selective
Plating, with Center
Polarization Key,
without Locking
Friction Ramp

Milli-Grid Cable-to- 875683063

Board Receptacle,
Dual Row, IDT,
Lead-Free, 30

Circuits, 0.38µm
Gold (Au) Selective
Plating, without
Center Polarization
Key and Locking
Friction Ramp

Milli-Grid Cable-to- 875683064

Board Receptacle,
Dual Row, IDT,
Lead-Free, 30

Circuits, 0.76µm
Gold (Au) Selective
Plating, without
Center Polarization
Key and Locking
Friction Ramp

MGrid IDT Rec W/ 875683083

LRmp .38AuLF
30Ckt

MGrid IDT Rec W/ 875683084

LRmp .76AuLF
30Ckt

Milli-Grid Cable-to- 875683093

Board Receptacle,
Dual Row, IDT,
Lead-Free, 30

Circuits, 0.38µm
Gold (Au) Selective
Plating, with Center
Polarization Key
and Locking Friction
Ramp

Milli-Grid Cable-to- 875683094

Board Receptacle,
Dual Row, IDT,

Lead-Free, 30
Circuits, 0.76µm
Gold (Au) Selective
Plating, with Center
Polarization Key
and Locking Friction
Ramp
Milli-Grid Cable-to- 875683443
Board Receptacle,
Dual Row, IDT,
Lead-Free, 34
Circuits, 0.38µm
Gold (Au) Selective
Plating, with Center
Polarization Key,
without Locking
Friction Ramp
Milli-Grid Cable-to- 875683444
Board Receptacle,
Dual Row, IDT,
Lead-Free, 34
Circuits, 0.76µm
Gold (Au) Selective
Plating, with Center
Polarization Key,
without Locking
Friction Ramp
Milli-Grid Cable-to- 875683463
Board Receptacle,
Dual Row, IDT,
Lead-Free, 34
Circuits, 0.38µm
Gold (Au) Selective
Plating, without
Center Polarization
Key and Locking
Friction Ramp
Milli-Grid Cable-to- 875683464
Board Receptacle,
Dual Row, IDT,
Lead-Free, 34
Circuits, 0.76µm
Gold (Au) Selective
Plating, without
Center Polarization
Key and Locking
Friction Ramp
MGrid IDT Rec W/ 875683483
LRmp .38AuLF
34Ckt
MGrid IDT Rec W/ 875683484
LRmp .76AuLF
34Ckt
Milli-Grid Cable-to- 875683493
Board Receptacle,
Dual Row, IDT,
Lead-Free, 34
Circuits, 0.38µm
Gold (Au) Selective
Plating, with Center
Polarization Key
and Locking Friction
Ramp
Milli-Grid Cable-to- 875683494
Board Receptacle,

Dual Row, IDT,
Lead-Free, 34
Circuits, 0.76µm
Gold (Au) Selective
Plating, with Center
Polarization Key
and Locking Friction
Ramp

Milli-Grid Cable-to- 875684043

Board Receptacle,
Dual Row, IDT,
Lead-Free, 40
Circuits, 0.38µm
Gold (Au) Selective
Plating, with Center
Polarization Key,
without Locking
Friction Ramp

Milli-Grid Cable-to- 875684044

Board Receptacle,
Dual Row, IDT,
Lead-Free, 40
Circuits, 0.76µm
Gold (Au) Selective
Plating, with Center
Polarization Key,
without Locking
Friction Ramp

Milli-Grid Cable-to- 875684063

Board Receptacle,
Dual Row, IDT,
Lead-Free, 40
Circuits, 0.38µm
Gold (Au) Selective
Plating, without
Center Polarization
Key and Locking
Friction Ramp

Milli-Grid Cable-to- 875684064

Board Receptacle,
Dual Row, IDT,
Lead-Free, 40
Circuits, 0.76µm
Gold (Au) Selective
Plating, without
Center Polarization
Key and Locking
Friction Ramp

MGrid IDT Rec W/ 875684083

LRmp .38AuLF
40Ckt

MGrid IDT Rec W/ 875684084

LRmp .76AuLF
40Ckt

Milli-Grid Cable-to- 875684093

Board Receptacle,
Dual Row, IDT,
Lead-Free, 40
Circuits, 0.38µm
Gold (Au) Selective
Plating, with Center
Polarization Key
and Locking Friction
Ramp

Milli-Grid Cable-to-Board Receptacle, Dual Row, IDT, Lead-Free, 40 Circuits, 0.76µm Gold (Au) Selective Plating, with Center Polarization Key and Locking Friction Ramp	<u>875684094</u>
Milli-Grid Cable-to-Board Receptacle, Dual Row, IDT, Lead-Free, 44 Circuits, 0.38µm Gold (Au) Selective Plating, with Center Polarization Key, without Locking Friction Ramp	<u>875684443</u>
Milli-Grid Cable-to-Board Receptacle, Dual Row, IDT, Lead-Free, 44 Circuits, 0.76µm Gold (Au) Selective Plating, with Center Polarization Key, without Locking Friction Ramp	<u>875684444</u>
Milli-Grid Cable-to-Board Receptacle, Dual Row, IDT, Lead-Free, 44 Circuits, 0.38µm Gold (Au) Selective Plating, without Center Polarization Key and Locking Friction Ramp	<u>875684463</u>
Milli-Grid Cable-to-Board Receptacle, Dual Row, IDT, Lead-Free, 44 Circuits, 0.76µm Gold (Au) Selective Plating, without Center Polarization Key and Locking Friction Ramp	<u>875684464</u>
MGrid IDT Rec W/ LRmp .38AuLF 44Ckt	<u>875684483</u>
MGrid IDT Rec W/ LRmp .76AuLF 44Ckt	<u>875684484</u>
Milli-Grid Cable-to-Board Receptacle, Dual Row, IDT, Lead-Free, 44 Circuits, 0.38µm Gold (Au) Selective Plating, with Center Polarization Key	<u>875684493</u>

and Locking Friction
Ramp

Milli-Grid Cable-to- 875684494

Board Receptacle,
Dual Row, IDT,
Lead-Free, 44
Circuits, 0.76µm
Gold (Au) Selective
Plating, with Center
Polarization Key
and Locking Friction
Ramp

Milli-Grid Cable-to- 875685043

Board Receptacle,
Dual Row, IDT,
Lead-Free, 50
Circuits, 0.38µm
Gold (Au) Selective
Plating, with Center
Polarization Key,
without Locking
Friction Ramp

Milli-Grid Cable-to- 875685044

Board Receptacle,
Dual Row, IDT,
Lead-Free, 50
Circuits, 0.76µm
Gold (Au) Selective
Plating, with Center
Polarization Key,
without Locking
Friction Ramp

Milli-Grid Cable-to- 875685063

Board Receptacle,
Dual Row, IDT,
Lead-Free, 50
Circuits, 0.38µm
Gold (Au) Selective
Plating, without
Center Polarization
Key and Locking
Friction Ramp

Milli-Grid Cable-to- 875685064

Board Receptacle,
Dual Row, IDT,
Lead-Free, 50
Circuits, 0.76µm
Gold (Au) Selective
Plating, without
Center Polarization
Key and Locking
Friction Ramp

MGrid IDT Rec W/ 875685083

LRmp .38AuLF
50Ckt

MGrid IDT Rec W/ 875685084

LRmp .76AuLF
50Ckt

Milli-Grid Cable-to- 875685093

Board Receptacle,
Dual Row, IDT,
Lead-Free, 50
Circuits, 0.38µm
Gold (Au) Selective
Plating, with Center

Polarization Key
and Locking Friction
Ramp
Milli-Grid Cable-to- 875685094
Board Receptacle,
Dual Row, IDT,
Lead-Free, 50
Circuits, 0.76µm
Gold (Au) Selective
Plating, with Center
Polarization Key
and Locking Friction
Ramp
MGrid IDT Rec / 875687003
OPolKeyLRmp .38AuLF
44Ckt
MGrid IDT Rec / 875687004
OPolKeyLRmp .76AuLF
44Ckt

This document was generated on 12/16/2021

PLEASE CHECK WWW.MOLEX.COM FOR LATEST PART INFORMATION

X-ON Electronics

Largest Supplier of Electrical and Electronic Components

Click to view similar products for [Crimpers / Crimping Tools](#) category:

Click to view products by [Molex](#) manufacturer:

Other Similar products are found below :

[010-0096](#) [M225202-37](#) [6-1579015-5](#) [CT150-2-D02](#) [622-6441LF](#) [M322](#) [6-304052-1](#) [63456-0054](#) [63484-3701](#) [63800-8355](#) [63819-1875](#)
[63819-2875](#) [63819-4475](#) [63823-3475](#) [63827-5375](#) [64001-0975](#) [64001-4175](#) [64005-0175](#) [662903-2](#) [690602-6](#) [7-1579001-9](#) [7-23471-1](#)
[762637-1](#) [808714-1](#) [811242-5](#) [999-50-020083](#) [1-21002-3](#) [1-21002-7](#) [12085270](#) [1-21002-6](#) [1-21113-6](#) [1-22548-4](#) [125442-1](#)
[DCE.91.073.BVC](#) [DCE.91.090.3MVM](#) [DCE.91.130.5MVU](#) [DCE.91.202.BVCM](#) [1338300-1](#) [1-354003-0](#) [1338301-1](#) [DF62/RE-MD](#) [142321](#)
[1456088-1](#) [1490794-1](#) [1-45804-6](#) [1490357-2](#) [1490357-3](#) [AX100749](#) [1-59619-7](#) [1596970-1](#)