

PLEASE CHECK WWW.MOLEX.COM FOR LATEST PART INFORMATION

Part Number: [0621008080](#)
Status: **Active**
Overview: [Application Tooling](#)
Description: Impact Daughtercard Removal Tool

Documents:
[RoHS Certificate of Compliance \(PDF\)](#)

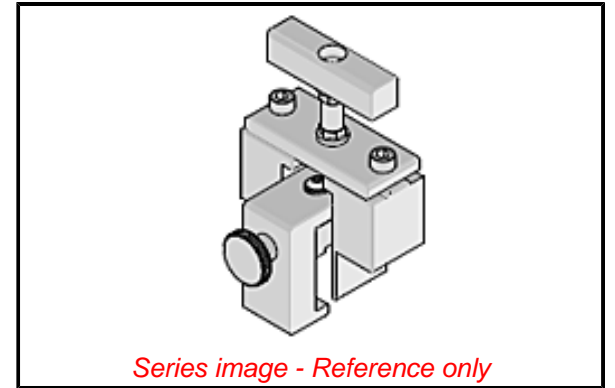
General

Product Family	Application Tooling
Series	207123
Comments	See Tooling Specification (PDF) Above
Function	Extraction
Geographic Area	Global
Level of Automation	Manual
More Detailed Tech Information	applicationtooling@molex.com
Overview	Application Tooling
Product Name	Impact
Tool Type	Press-Fit Extraction Tool
UPC	887191308685
Warranty Disclaimer	CAUTION: Molex tooling crimp specifications are valid only when used with Molex terminals and tooling manufactured by Molex and sold by Molex or authorized distributors ("Molex Tooling"). When using tooling other than Molex Tooling with Molex specific connector systems listed in our ATS documents, the Molex tooling qualification does not apply and the responsibility for full qualification of the connector system is that of the customer. Molex accepts no liability for connector performance or tooling support where tooling other than Molex Tooling is used or where Molex Tooling is modified.

Material Info

Reference - Drawing Numbers
Application Tooling Documents

ATS-621008080, TM-622018799



EU ELV

Not Relevant

EU RoHS

Not Reviewed

REACH SVHC

Not Reviewed

Halogen-Free

Status

Not Relevant

For more information, please visit [Contact US](#)

China ROHS

ELV

RoHS Phthalates

China RoHS

Not Relevant

Not Relevant

Not Reviewed

Search Parts in this Series

[207123 Series](#)

Use With

[76060](#) Impact Daughtercard signal module, 5 Pair x 16 columns

Application Tooling | **FAQ**

Description	Product #
-------------	-----------

Impact 100 Ohm 5 Pair Right-Angle Daughtercard Receptacle, Unguided, 16 Columns, 240 Circuits, Plated Through Hole Dimension 0.46mm, Lead-Free	760601016
---	---------------------------

Impact 100 Ohm 5 Pair Right-Angle Daughtercard Receptacle, Unguided, 16 Columns, 240 Circuits, Plated Through Hole	760601026
---	---------------------------

Dimension 0.39mm,
Lead-Free
Impact 100 Ohm [760603016](#)
5 Pair Right-Angle
Daughtercard
Receptacle, Left
Guided, 16 Columns,
240 Circuits, Plated
Through Hole
Dimension 0.46mm,
Lead-Free
Impact 100 Ohm [760603026](#)
5 Pair Right-Angle
Daughtercard
Receptacle, Left
Guided, 16 Columns,
240 Circuits, Plated
Through Hole
Dimension 0.39mm,
Lead-Free
Impact 100 Ohm [760603126](#)
5 Pair Right-Angle
Daughtercard
Receptacle, Left
Guided, 16 Columns,
240 Circuits, Plated
Through Hole
Dimension 0.39mm,
Polarizing Key
Position A, Lead-
Free
Impact 100 Ohm [760605016](#)
5 Pair Right-Angle
Daughtercard
Receptacle, Right
Guided, 16 Columns,
240 Circuits, Plated
Through Hole
Dimension 0.46mm,
Lead-Free
Impact 100 Ohm [760605026](#)
5 Pair Right-Angle
Daughtercard
Receptacle, Right
Guided, 16 Columns,
240 Circuits, Plated
Through Hole
Dimension 0.39mm,
Lead-Free
Impact 100 Ohm [760605166](#)
5 Pair Right-Angle
Daughtercard
Receptacle, Right
Guided, 16 Columns,
240 Circuits, Plated
Through Hole
Dimension 0.39mm,
Polarizing Key
Position A, Lead-
Free, with ESD Clip

X-ON Electronics

Largest Supplier of Electrical and Electronic Components

Click to view similar products for [Extraction, Removal & Insertion Tools](#) category:

Click to view products by [Molex](#) manufacturer:

Other Similar products are found below :

[M8196914-08](#) [768211-2](#) [809-131](#) [844751-2](#) [8-59558-2](#) [91018-1](#) [12014013](#) [12093647](#) [1-21048-0](#) [R282867020](#) [12093078](#) [12180559](#) [1-21048-6](#) [12121897](#) [DCF.91.405.5LT](#) [1322](#) [15314260](#) [15313892](#) [15350698](#) [15350707](#) [15430130](#) [1643916-1](#) [1-679532-0](#) [1976593-3](#)
[OUTEXT-0321](#) [2-1579008-3](#) [2-1579008-4](#) [229694-7](#) [231106-1](#) [241469](#) [91040-3](#) [91040-7](#) [965004-000](#) [965069-000](#) [1738219-1](#) [ET-JL05-16](#)
[FG 0300 146 3000](#) [FIT-6](#) [210S048](#) [2-1579007-9](#) [231879-1](#) [CF-008025-000](#) [312138-3](#) [RJ11FODE](#) [356-162](#) [M8196914-10](#) [4-1579018-0](#)
[483249-1](#) [5-1579007-2](#) [5-1579007-9](#)