

PLEASE CHECK WWW.MOLEX.COM FOR LATEST PART INFORMATION

Part Number: [0622018607](#)
Status: **Active**
Overview: [Application Tooling](#)
Description: Press-In Tool for Vertical Header 7-Row, 4-Column

Documents:

[RoHS Certificate of Compliance \(PDF\)](#)

General

Product Family	Application Tooling
Series	207123
Comments	See Tooling Specification (PDF) Above, Press-In Tool
Function	Insertion
Geographic Area	Global
Level of Automation	Manual
More Detailed Tech Information	applicationtooling@molex.com
Overview	Application Tooling
Product Name	PremiumGrade
Tool Type	Press-Fit Insertion Tool
UPC	822350874632
Warranty Disclaimer	CAUTION: Molex tooling crimp specifications are valid only when used with Molex terminals and tooling manufactured by Molex and sold by Molex or authorized distributors ("Molex Tooling"). When using tooling other than Molex Tooling with Molex specific connector systems listed in our ATS documents, the Molex tooling qualification does not apply and the responsibility for full qualification of the connector system is that of the customer. Molex accepts no liability for connector performance or tooling support where tooling other than Molex Tooling is used or where Molex Tooling is modified.

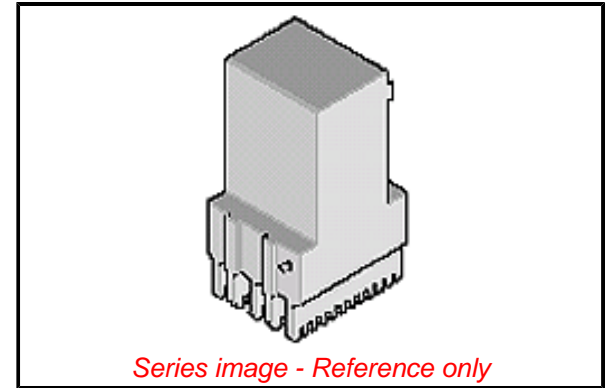
Physical

Net Weight 54.910/g

Material Info

Reference - Drawing Numbers

Application Tooling Documents [ATS-622018607](#), [TM-622018699](#)



EU ELV

Not Relevant

EU RoHS

Compliant

REACH SVHC

Not Contained Per -
D(2020)9139-DC (19
Jan 2021)

Halogen-Free

Status

Not Relevant

For more information, please visit [Contact US](#)

China ROHS

ELV

RoHS Phthalates

China RoHS

Not Relevant

Not Relevant

Not Contained

Search Parts in this Series

[207123 Series](#)

Use With

GbX I-Trac Backplane Signal Module, [76015 Series](#)

Application Tooling | **FAQ**

Description	Product #
-------------	-----------

GbX I-Trac Vertical Header Module, 1.85mm by 3.70mm Pitch, Unguided, Open Ends, 7 Rows, 4 Columns, 56 Circuits, Mating Pin Length 4.70mm	760151403
--	---------------------------

GbX I-Trac Vertical Header Module, 1.85mm by 3.70mm Pitch, Unguided, Open Ends, 7 Rows, 4 Columns, 56 Circuits, Mating Pin Length 5.70mm

GbX I-Trac Vertical Header Module, 1.85mm by 3.70mm Pitch, Unguided, Open Ends, 7 Rows, 4 Columns, 56 Circuits, Mating Pin Length 5.70mm	760151404
--	---------------------------

GbX I-Trac Vertical 760153402
Header Module,
1.85mm by 3.70mm
Pitch, Left Guide,
Right Open, 7 Rows,
4 Columns, 56
Circuits, Mating Pin
Length 3.90mm,
Lead-Free

GbX I-Trac Vertical 760153403
Header Module,
1.85mm by 3.70mm
Pitch, Left Guide,
Right Open, 7 Rows,
4 Columns, 56
Circuits, Mating Pin
Length 4.70mm,
Lead-Free

GbX I-Trac Vertical 760155402
Header Module,
1.85mm by 3.70mm
Pitch, Right Guide,
Left Open, 7 Rows, 4
Columns, 56 Circuits,
Mating Pin Length
3.90mm, Lead-Free

GbX I-Trac Vertical 760155403
Header Module,
1.85mm by 3.70mm
Pitch, Right Guide,
Left Open, 7 Rows, 4
Columns, 56 Circuits,
Mating Pin Length
4.70mm, Lead-Free

This document was generated on 02/26/2021

PLEASE CHECK WWW.MOLEX.COM FOR LATEST PART INFORMATION

X-ON Electronics

Largest Supplier of Electrical and Electronic Components

Click to view similar products for [Bench Top Tools](#) category:

Click to view products by [Molex](#) manufacturer:

Other Similar products are found below :

[0027](#) [6-1372442-6](#) [63801-4462](#) [63801-4561](#) [63801-7269](#) [679527-1](#) [691667-1](#) [7-21000-9](#) [768539-1](#) [854130-1](#) [854946-2](#) [856203-1](#) [904449-1](#)
[9-22280-9](#) [986096-2](#) [992438-3](#) [1-21000-3](#) [1-21000-1](#) [1-25022-4](#) [1302263353](#) [1302263355](#) [1302261057](#) [1302261101](#) [1302261206](#)
[1302261560](#) [1302263123](#) [1302264036](#) [1424264-1](#) [1424267-1](#) [1428211-1](#) [1428287-1](#) [1-455755-6](#) [1752744-1](#) [18023-9](#) [189763-1](#) [1901726-1](#)
[2079747-1](#) [21001-2](#) [2119083-1](#) [2119085-1](#) [2119371-1](#) [2161930-1](#) [2217088-2](#) [2217339-1](#) [2217347-1](#) [22281-9](#) [22374-7](#) [284565-000](#) [F1](#)
[Handle Spring](#) [19228-0213](#)