

**PLEASE CHECK WWW.MOLEX.COM FOR LATEST PART INFORMATION**

**Part Number:** [0622018641](#)  
**Status:** **Active**  
**Overview:** [Application Tooling](#)  
**Description:** Daughter Card Module Installation Press-In Tool

**Documents:**  
[RoHS Certificate of Compliance \(PDF\)](#)

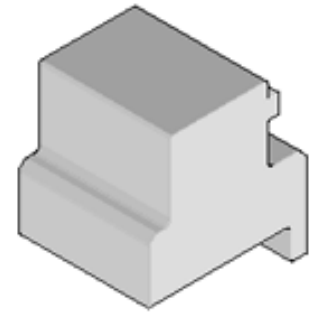
**General**

Product Family	Application Tooling
Series	<a href="#"><u>207123</u></a>
Comments	See Tooling Specification (PDF) Above, Press-In Tool
Function	Insertion
Geographic Area	Global
Level of Automation	Manual
More Detailed Tech Information	<a href="mailto:applicationtooling@molex.com"><u>applicationtooling@molex.com</u></a>
Overview	<a href="#"><u>Application Tooling</u></a>
Product Name	PremiumGrade
Tool Type	Press-Fit Insertion Tool
UPC	800756930633
Warranty Disclaimer	CAUTION: Molex tooling crimp specifications are valid only when used with Molex terminals and tooling manufactured by Molex and sold by Molex or authorized distributors ("Molex Tooling"). When using tooling other than Molex Tooling with Molex specific connector systems listed in our ATS documents, the Molex tooling qualification does not apply and the responsibility for full qualification of the connector system is that of the customer. Molex accepts no liability for connector performance or tooling support where tooling other than Molex Tooling is used or where Molex Tooling is modified.

**Material Info**

**Reference - Drawing Numbers**  
 Application Tooling Documents

ATS-622018641, TM-622018799



*Series image - Reference only*

**EU ELV**

**Not Relevant**

**EU RoHS**

**Not Reviewed**

**REACH SVHC**

Not Reviewed

**Halogen-Free**

**Status**

**Not Relevant**

For more information, please visit [Contact US](#)

China ROHS

Not Relevant

ELV

Not Relevant

RoHS Phthalates

Not Reviewed

**Search Parts in this Series**

[207123](#) Series

**Use With**

Impact Daughtercard Signal Module, [76160](#) Series

**Application Tooling | FAQ**

**Description**

**Product #**

Impact 85 Ohm Plus 4 Pair, Right-Angle Daughtercard, Unguided, 10 Columns, 120 Circuits, Plated Through Hole Dimension 0.39mm, Lead Free	<a href="#"><u>1703401020</u></a>
Impact 85 Ohm Plus 4 Pair, Right-Angle Daughtercard, Left Guided, 10 Columns, 120 Circuits, Plated Through Hole Dimension 0.46mm, Lead Free	<a href="#"><u>1703403010</u></a>

Impact 85 Ohm Plus [1703403020](#)

4 Pair, Right-Angle  
Daughtercard, Left  
Guided, 10 Columns,  
120 Circuits, Plated  
Through Hole  
Dimension 0.39mm,  
Lead Free

Impact 85 Ohm Plus [1703405010](#)

4 Pair, Right-Angle  
Daughtercard, Right  
Guided, 10 Columns,  
120 Circuits, Plated  
Through Hole  
Dimension 0.46mm,  
Lead Free

Impact 85 Ohm Plus [1703405020](#)

4 Pair, Right-Angle  
Daughtercard, Right  
Guided, 10 Columns,  
120 Circuits, Plated  
Through Hole  
Dimension 0.39mm,  
Lead Free

Impact 100 Ohm [761601010](#)

4 Pair Right-Angle  
Daughtercard  
Receptacle,  
Unguided, 10  
Columns, 120  
Circuits, Plated  
Through Hole  
Dimension 0.46mm,  
Lead-Free

Impact 100 Ohm [761601020](#)

4 Pair Right-Angle  
Daughtercard  
Receptacle,  
Unguided, 10  
Columns, 120  
Circuits, Plated  
Through Hole  
Dimension 0.39mm,  
Lead-Free

Impact 100 Ohm [761603010](#)

4 Pair Right-Angle  
Daughtercard  
Receptacle, Left  
Guided, 10 Columns,  
120 Circuits, Plated  
Through Hole  
Dimension 0.46mm,  
Lead-Free

Impact 100 Ohm [761603020](#)

4 Pair Right-Angle  
Daughtercard  
Receptacle, Left  
Guided, 10 Columns,  
120 Circuits, Plated  
Through Hole  
Dimension 0.39mm,  
Lead-Free

Impact 100 Ohm [761603120](#)

4 Pair Right-Angle  
Daughtercard

Receptacle, Left  
Guided, 10 Columns,  
120 Circuits, Plated  
Through Hole  
Dimension 0.39mm,  
Polarizing Key  
Position A, Lead-  
Free  
Impact 100 Ohm 761605010  
4 Pair Right-Angle  
Daughtercard  
Receptacle, Right  
Guided, 10 Columns,  
120 Circuits, Plated  
Through Hole  
Dimension 0.46mm,  
Lead-Free  
Impact 100 Ohm 761605020  
4 Pair Right-Angle  
Daughtercard  
Receptacle, Right  
Guided, 10 Columns,  
120 Circuits, Plated  
Through Hole  
Dimension 0.39mm,  
Lead-Free  
Impact 100 Ohm 761605120  
4 Pair Right-Angle  
Daughtercard  
Receptacle, Right  
Guided, 10 Columns,  
120 Circuits, Plated  
Through Hole  
Dimension 0.39mm,  
Polarizing Key  
Position A, Lead-  
Free  
Impact 100 Ohm 761605220  
4 Pair Right-Angle  
Daughtercard  
Receptacle, Right  
Guided, 10 Columns,  
120 Circuits, Plated  
Through Hole  
Dimension 0.39mm,  
Polarizing Key  
Position B, Lead  
Free  
Impact 100 Ohm 761605310  
4 Pair Right-Angle  
Daughtercard  
Receptacle, Right  
Guided, 10 Columns,  
120 Circuits, Plated  
Through Hole  
Dimension 0.46mm,  
Polarizing Key  
Position C, Lead  
Free  
Impact 100 Ohm 761605320  
4 Pair Right-Angle  
Daughtercard  
Receptacle, Right  
Guided, 10 Columns,  
120 Circuits, Plated

Through Hole  
Dimension 0.39mm,  
Polarizing Key  
Position C, Lead  
Free

Impact 100 Ohm 765001104

4 Pair RAM Right-  
Angle Header,  
Unguided, Open  
Endwall, 10  
Columns, 120  
Circuits, Pin Length  
4.90mm, Plated

Through Hole  
Dimension 0.46mm,  
Lead Free

Impact 100 Ohm 765001105

4 Pair RAM Right-  
Angle Header,  
Unguided, Open  
Endwall, 10  
Columns, 120  
Circuits, Pin Length  
5.50mm, Plated

Through Hole  
Dimension 0.46mm,  
Lead Free

Impact 100 Ohm 765001107

4 Pair RAM Right-  
Angle Header,  
Unguided, Open  
Endwall, 10  
Columns, 120  
Circuits, Pin Length  
4.90mm, Plated

Through Hole  
Dimension 0.39mm,  
Lead-Free

Impact 100 Ohm 765001108

4 Pair RAM Right-  
Angle Header,  
Unguided, Open  
Endwall, 10  
Columns, 120  
Circuits, Pin Length  
5.50mm, Plated

Through Hole  
Dimension 0.39mm,  
Lead-Free

Impact 100 Ohm 765001115

4 Pair RAM Right-  
Angle Header,  
Unguided, Left  
Endwall, 10  
Columns, 120  
Circuits, Pin Length  
5.50mm, Plated

Through Hole  
Dimension 0.46mm,  
Lead Free

Impact 100 Ohm 765001117

4 Pair RAM Right-  
Angle Header,  
Unguided, Left  
Endwall, 10

Columns, 120  
Circuits, Pin Length  
4.90mm, Plated  
Through Hole  
Dimension 0.39mm,  
Lead-Free  
Impact 100 Ohm 765001118  
4 Pair RAM Right-  
Angle Header,  
Unguided, Left  
Endwall, 10  
Columns, 120  
Circuits, Pin Length  
5.50mm, Plated  
Through Hole  
Dimension 0.39mm,  
Lead-Free  
Impact 100 Ohm 765001127  
4 Pair RAM Right-  
Angle Header,  
Unguided, Dual  
Endwall, 10  
Columns, 120  
Circuits, Pin Length  
4.90mm, Plated  
Through Hole  
Dimension 0.39mm,  
Lead-Free  
Impact 100 Ohm 765001128  
4 Pair RAM Right-  
Angle Header,  
Unguided, Dual  
Endwall, 10  
Columns, 120  
Circuits, Pin Length  
5.50mm, Plated  
Through Hole  
Dimension 0.39mm,  
Lead-Free  
Impact 100 Ohm 765001135  
4 Pair RAM Right-  
Angle Header,  
Unguided, Right  
Endwall, 10  
Columns, 120  
Circuits, Pin Length  
5.50mm, Plated  
Through Hole  
Dimension 0.46mm,  
Lead Free  
Impact 100 Ohm 765001137  
4 Pair RAM Right-  
Angle Header,  
Unguided, Right  
Endwall, 10  
Columns, 120  
Circuits, Pin Length  
4.90mm, Plated  
Through Hole  
Dimension 0.39mm,  
Lead Free  
Impact 100 Ohm 765001138  
4 Pair RAM Right-  
Angle Header,  
Unguided, Right

Endwall, 10  
Columns, 120  
Circuits, Pin Length  
5.50mm, Plated  
Through Hole  
Dimension 0.39mm,  
Lead-Free

Impact 100 Ohm 765003104

4 Pair RAM Right-  
Angle Header,  
Left Guided,  
Open Endwall,  
10 Columns, 120  
Circuits, Pin Length  
4.90mm, Plated  
Through Hole  
Dimension 0.46mm,  
Lead Free

Impact 100 Ohm 765003105

4 Pair RAM Right-  
Angle Header,  
Left Guided,  
Open Endwall,  
10 Columns, 120  
Circuits, Pin Length  
5.50mm, Plated  
Through Hole  
Dimension 0.46mm,  
Lead Free

Impact 100 Ohm 765003107

4 Pair RAM Right-  
Angle Header,  
Left Guided,  
Open Endwall,  
10 Columns, 120  
Circuits, Pin Length  
4.90mm, Plated  
Through Hole  
Dimension 0.39mm,  
Lead-Free

Impact 100 Ohm 765003108

4 Pair RAM Right-  
Angle Header,  
Left Guided,  
Open Endwall,  
10 Columns, 120  
Circuits, Pin Length  
5.50mm, Plated  
Through Hole  
Dimension 0.39mm,  
Lead-Free

Impact 100 Ohm 765005104

4 Pair RAM Right-  
Angle Header,  
Right Guided,  
Open Endwall,  
10 Columns, 120  
Circuits, Pin Length  
4.90mm, Plated  
Through Hole  
Dimension 0.46mm,  
Lead Free

Impact 100 Ohm 765005105

4 Pair RAM Right-  
Angle Header,

Right Guided,  
Open Endwall,  
10 Columns, 120  
Circuits, Pin Length  
5.50mm, Plated  
Through Hole  
Dimension 0.46mm,  
Lead Free

Impact 100 Ohm 765005107

4 Pair RAM Right-  
Angle Header,  
Right Guided,  
Open Endwall,  
10 Columns, 120  
Circuits, Pin Length  
4.90mm, Plated  
Through Hole  
Dimension 0.39mm,  
Lead-Free

Impact 100 Ohm 765005108

4 Pair RAM Right-  
Angle Header,  
Right Guided,  
Open Endwall,  
10 Columns, 120  
Circuits, Pin Length  
5.50mm, Plated  
Through Hole  
Dimension 0.39mm,  
Lead-Free

Impact 100 Ohm 765007107

4 Pair RAM Right-  
Angle Header,  
Left Guided,  
Right Endwall,  
10 Columns, 120  
Circuits, Pin Length  
4.90mm, Plated  
Through Hole  
Dimension 0.39mm,  
Lead-Free

Impact 100 Ohm 765009108

4 Pair RAM Right-  
Angle Header, Right  
Guided, Left Endwall,  
10 Columns, 120  
Circuits, Pin Length  
5.50mm, Plated  
Through Hole  
Dimension 0.39mm,  
Lead-Free

Impact 100 Ohm 768501010

4 Pair Right-  
Angle Orthogonal  
Daughtercard,  
Unguided, 10  
Columns, 120  
Circuits, Plated  
Through Hole  
Dimension 0.46mm,  
Lead-Free

Impact 100 Ohm 768501020

4 Pair Right-  
Angle Orthogonal  
Daughtercard,

Unguided, 10  
Columns, 120  
Circuits, Plated  
Through Hole  
Dimension 0.39mm,  
Lead-Free  
Impact 100 Ohm [768503010](#)  
4 Pair Right-  
Angle Orthogonal  
Daughtercard, Left  
Guide, 10 Columns,  
120 Circuits, Plated  
Through Hole  
Dimension 0.46mm,  
Lead-Free  
Impact 100 Ohm [768503020](#)  
4 Pair Right-  
Angle Orthogonal  
Daughtercard, Left  
Guide, 10 Columns,  
120 Circuits, Plated  
Through Hole  
Dimension 0.39mm,  
Lead-Free  
Impact 100 Ohm [768505010](#)  
4 Pair Right-  
Angle Orthogonal  
Daughtercard, Right  
Guide, 10 Columns,  
120 Circuits, Plated  
Through Hole  
Dimension 0.46mm,  
Lead-Free  
Impact 100 Ohm [768505020](#)  
4 Pair Right-  
Angle Orthogonal  
Daughtercard, Right  
Guide, 10 Columns,  
120 Circuits, Plated  
Through Hole  
Dimension 0.39mm,  
Lead-Free

This document was generated on 02/26/2021

**PLEASE CHECK [WWW.MOLEX.COM](http://WWW.MOLEX.COM) FOR LATEST PART INFORMATION**



## X-ON Electronics

Largest Supplier of Electrical and Electronic Components

*Click to view similar products for [Extraction, Removal & Insertion Tools](#) category:*

*Click to view products by [Molex](#) manufacturer:*

Other Similar products are found below :

[M8196914-08](#) [768211-2](#) [809-131](#) [844751-2](#) [8-59558-2](#) [91018-1](#) [12014013](#) [12093647](#) [1-21048-0](#) [R282867020](#) [12093078](#) [12180559](#) [1-21048-6](#) [12121897](#) [DCF.91.405.5LT](#) [1322](#) [15314260](#) [15350698](#) [15350707](#) [15430130](#) [1643916-1](#) [1-679532-0](#) [1976593-3](#) [OUTEXT-0321](#) [2-1579008-3](#) [2-1579008-4](#) [229694-7](#) [231106-1](#) [241469](#) [91040-3](#) [91040-7](#) [965004-000](#) [965069-000](#) [1738219-1](#) [ET-JL05-16](#) [FG 0300 146 3000](#) [FIT-6](#) [210S048](#) [2-1579007-9](#) [231879-1](#) [CF-008025-000](#) [312138-3](#) [RJ11FODE](#) [356-162](#) [M8196914-10](#) [4-1579018-0](#) [483249-1](#) [5-1579007-2](#) [5-1579007-9](#) [BPR10](#)