

**PLEASE CHECK WWW.MOLEX.COM FOR LATEST PART INFORMATION**

**Part Number:** [0622018646](#)  
**Status:** **Active**  
**Overview:** [Application Tooling](#)  
**Description:** Daughter Card Module Installation Press-In Tool for 3-Pair by 10-Column Assemblies

**Documents:**

[RoHS Certificate of Compliance \(PDF\)](#)

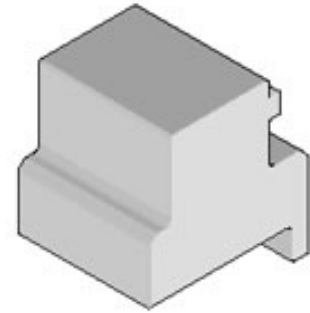
**General**

Product Family	Application Tooling
Series	<a href="#">207123</a>
Comments	See Tooling Specification (PDF) Above, Press-In Tool
Function	Insertion
Geographic Area	Global
Level of Automation	Manual
More Detailed Tech Information	<a href="mailto:applicationtooling@molex.com">applicationtooling@molex.com</a>
Overview	<a href="#">Application Tooling</a>
Product Name	Impact
Tool Type	Press-Fit Insertion Tool
UPC	883906116057
Warranty Disclaimer	CAUTION: Molex tooling crimp specifications are valid only when used with Molex terminals and tooling manufactured by Molex and sold by Molex or authorized distributors ("Molex Tooling"). When using tooling other than Molex Tooling with Molex specific connector systems listed in our ATS documents, the Molex tooling qualification does not apply and the responsibility for full qualification of the connector system is that of the customer. Molex accepts no liability for connector performance or tooling support where tooling other than Molex Tooling is used or where Molex Tooling is modified.

**Material Info**

**Reference - Drawing Numbers**  
Application Tooling Documents

ATS-622018646-001, TM-622018799-001



*Series image - Reference only*

**EU ELV**

**Not Relevant**

**EU RoHS**

**Not Reviewed**

**REACH SVHC**

Not Contained Per -  
ED/108/2014 (17 Dec  
2014)

**Halogen-Free**

**Status**

**Not Relevant**

For more information, please visit [Contact US](#)

China ROHS

Not Relevant

ELV

Not Relevant

RoHS Phthalates

Not Reviewed

**Search Parts in this Series**

[207123 Series](#)

**Use With**

Impact Daughtercard Signal Module  
Assembly, [76170 Series](#)

**Application Tooling** | **FAQ**

<b>Description</b>	<b>Product #</b>
--------------------	------------------

Impact 85 Ohm Plus 3 Pair Right- Angle Daughtercard, Unguided, 10 Columns, 90 Circuits, Plated Through Hole Dimension 0.39mm, Lead Free	<a href="#">1705301020</a>
--	----------------------------

Impact 85 Ohm  
Plus 3 Pair Right-  
Angle Daughtercard,  
Left Guide, 10  
Columns, 90 Circuits,  
Plated Through Hole  
Dimension 0.39mm,  
Lead Free

Impact 85 Ohm Plus 3 Pair Right- Angle Daughtercard, Left Guide, 10 Columns, 90 Circuits, Plated Through Hole Dimension 0.39mm, Lead Free	<a href="#">1705303020</a>
--	----------------------------

Impact 85 Ohm  
Plus 3 Pair Right-  
Angle Daughtercard,  
Left Guide, 10  
Columns, 90 Circuits,  
Plated Through Hole  
Dimension 0.39mm,  
Lead Free

Impact 85 Ohm 1705305020  
Plus 3 Pair Right-  
Angle Daughtercard,  
Right Guide, 10  
Columns, 90 Circuits,  
Plated Through Hole  
Dimension 0.39mm,  
Lead Free

Impact 100 Ohm 761701010  
3 Pair Right-Angle  
Daughtercard  
Receptacle,  
Unguided, 10  
Columns, 90 Circuits,  
Plated Through Hole  
Dimension 0.46mm,  
Lead-Free

Impact 100 Ohm 761701020  
3 Pair Right-Angle  
Daughtercard  
Receptacle,  
Unguided, 10  
Columns, 90 Circuits,  
Plated Through Hole  
Dimension 0.39mm,  
Lead-Free

Impact 100 Ohm 761702020  
3 Pair Right-Angle  
Daughtercard  
Receptacle, Left  
Guided, 10 Columns,  
90 Circuits, Plated  
Through Hole  
Dimension 0.39mm,  
Tin (Sn), Lead (Pb)

Impact 100 Ohm 761703010  
3 Pair Right-Angle  
Daughtercard  
Receptacle, Left  
Guided, 10 Columns,  
90 Circuits, Plated  
Through Hole  
Dimension 0.46mm,  
Lead-Free

Impact 100 Ohm 761703020  
3 Pair Right-Angle  
Daughtercard  
Receptacle, Left  
Guided, 10 Columns,  
90 Circuits, Plated  
Through Hole  
Dimension 0.39mm,  
Lead-Free

Impact 100 Ohm 761703120  
3 Pair Right-Angle  
Daughtercard  
Receptacle, Left  
Guided, 10 Columns,  
90 Circuits, Plated  
Through Hole  
Dimension 0.39mm,  
Polarizing Key  
Position A, Lead-  
Free

Impact 100 Ohm 761703420  
3 Pair Right-Angle  
Daughtercard  
Receptacle, Left  
Guided, 10 Columns,  
90 Circuits, Plated  
Through Hole  
Dimension 0.39mm,  
Polarizing Key  
Position D, Lead-  
Free

Impact 100 Ohm 761704010  
3 Pair Right-Angle  
Daughtercard  
Receptacle, Right  
Guided, 10 Columns,  
90 Circuits, Plated  
Through Hole  
Dimension 0.46mm,  
Tin (Sn), Lead (Pb)

Impact 100 Ohm 761704020  
3 Pair Right-Angle  
Daughtercard  
Receptacle, Right  
Guided, 10 Columns,  
90 Circuits, Plated  
Through Hole  
Dimension 0.39mm,  
Tin (Sn), Lead (Pb)

Impact 100 Ohm 761705010  
3 Pair Right-Angle  
Daughtercard  
Receptacle, Right  
Guided, 10 Columns,  
90 Circuits, Plated  
Through Hole  
Dimension 0.46mm,  
Lead-Free

Impact 100 Ohm 761705020  
3 Pair Right-Angle  
Daughtercard  
Receptacle, Right  
Guided, 10 Columns,  
90 Circuits, Plated  
Through Hole  
Dimension 0.39mm,  
Lead-Free

Impact 100 Ohm 761705110  
3 Pair Right-Angle  
Daughtercard  
Receptacle, Right  
Guided, 10 Columns,  
90 Circuits, Plated  
Through Hole  
Dimension 0.46mm,  
Polarizing Key  
Position A, Lead-  
Free

Impact 100 Ohm 761705120  
3 Pair Right-Angle  
Daughtercard  
Receptacle, Right  
Guided, 10 Columns,  
90 Circuits, Plated  
Through Hole

Dimension 0.39mm,  
Polarizing Key  
Position A, Lead-  
Free

Impact 100 Ohm 764101104

3 Pair Right-Angle  
Male Header,  
Unguided, Open  
Endwall, 10  
Columns, 90 Circuits,  
Pin Length 4.90mm,  
Plated Through Hole  
Dimension 0.46mm,  
Lead-Free

Impact 100 Ohm 764101107

3 Pair Right-Angle  
Male Header,  
Unguided, Open  
Endwall, 10  
Columns, 90 Circuits,  
Pin Length 4.90mm,  
Plated Through Hole  
Dimension 0.39mm,  
Lead-Free

Impact 100 Ohm 764101108

3 Pair Right-Angle  
Male Header,  
Unguided, Open  
Endwall, 10  
Columns, 90 Circuits,  
Pin Length 5.50mm,  
Plated Through Hole  
Dimension 0.39mm,  
Lead-Free

Impact 100 Ohm 764101117

3 Pair Right-Angle  
Male Header,  
Unguided, Left  
Endwall, 10  
Columns, 90 Circuits,  
Pin Length 4.90mm,  
Plated Through Hole  
Dimension 0.39mm,  
Lead-Free

Impact 100 Ohm 764101127

3 Pair Right-Angle  
Male Header,  
Unguided, Dual  
Endwall, 10  
Columns, 90 Circuits,  
Pin Length 4.90mm,  
Plated Through Hole  
Dimension 0.39mm,  
Lead-Free

Impact 100 Ohm 764101134

3 Pair Right-Angle  
Male Header,  
Unguided, Right  
Endwall, 10  
Columns, 90 Circuits,  
Pin Length 4.90mm,  
Plated Through Hole  
Dimension 0.46mm,  
Lead-Free

Impact 100 Ohm 764101137  
3 Pair Right-Angle  
Male Header,  
Unguided, Right  
Endwall, 10  
Columns, 90 Circuits,  
Pin Length 4.90mm,  
Plated Through Hole  
Dimension 0.39mm,  
Lead-Free

Impact 100 Ohm 764103104  
3 Pair Right-Angle  
Male Header,  
Left Guide, Open  
Endwall, 10  
Columns, 90 Circuits,  
Pin Length 4.90mm,  
Plated Through Hole  
Dimension 0.46mm,  
Lead-Free

Impact 100 Ohm 764103107  
3 Pair Right-Angle  
Male Header,  
Left Guide, Open  
Endwall, 10  
Columns, 90 Circuits,  
Pin Length 4.90mm,  
Plated Through Hole  
Dimension 0.39mm,  
Lead-Free

Impact 100 Ohm 764103108  
3 Pair Right-Angle  
Male Header,  
Left Guide, Open  
Endwall, 10  
Columns, 90 Circuits,  
Pin Length 5.50mm,  
Plated Through Hole  
Dimension 0.39mm,  
Lead-Free

Impact 100 Ohm 764103117  
3 Pair Right-Angle  
Male Header,  
Left Guide, Open  
Endwall, 10  
Columns, 90 Circuits,  
Pin Length 4.90mm,  
Plated Through Hole  
Dimension 0.39mm,  
Keying Orientation A,  
Lead-Free

Impact 100 Ohm 764105104  
3 Pair Right-Angle  
Male Header,  
Right Guided,  
Open Endwall, 10  
Columns, 90 Circuits,  
Pin Length 4.90mm,  
Plated Through Hole  
Dimension 0.46mm,  
Lead Free

Impact 100 Ohm 764105107  
3 Pair Right-Angle  
Male Header,  
Right Guide,

Open Endwall, 10  
Columns, 90 Circuits,  
Pin Length 4.90mm,  
Plated Through Hole  
Dimension 0.39mm,  
Lead-Free  
Impact 100 Ohm 764105108  
3 Pair Right-Angle  
Male Header,  
Right Guide,  
Open Endwall, 10  
Columns, 90 Circuits,  
Pin Length 5.50mm,  
Plated Through Hole  
Dimension 0.39mm,  
Lead-Free  
Impact 100 Ohm 764107107  
3 Pair Right-Angle  
Male Header,  
Left Guide, Right  
Endwall, 10  
Columns, 90 Circuits,  
Pin Length 4.90mm,  
Plated Through Hole  
Dimension 0.39mm,  
Lead-Free  
Impact 100 Ohm 764109107  
3 Pair Right-Angle  
Male Header, Right  
Guided, Left Endwall,  
10 Columns, 90  
Circuits, Pin Length  
4.90mm, Plated  
Through Hole  
Dimension 0.39mm,  
Lead Free  
Impact 100 Ohm 764109108  
3 Pair Right-Angle  
Male Header, Right  
Guide, Left Endwall,  
10 Columns, 90  
Circuits, Pin Length  
5.50mm, Plated  
Through Hole  
Dimension 0.39mm,  
Lead-Free

This document was generated on 06/26/2021

**PLEASE CHECK [WWW.MOLEX.COM](http://WWW.MOLEX.COM) FOR LATEST PART INFORMATION**

## X-ON Electronics

Largest Supplier of Electrical and Electronic Components

*Click to view similar products for [Other Tools](#) category:*

*Click to view products by [Molex](#) manufacturer:*

Other Similar products are found below :

[CR-0AFL4--332K](#) [568681-1](#) [5800-0090](#) [58061-1](#) [59065-5](#) [59085](#) [00-8273-RDPP](#) [00-8729-WHPP](#) [593033](#) [593072](#) [593564100](#) [593575](#)  
[593593](#) [011349-000](#) [CRCW08052740FRT1](#) [LUC-012S070DSM](#) [LUC-018S070DSP](#) [LUC-024S105DSP](#) [599-2021-3-NME](#) [599-JJ-2021-03](#)  
[00-5080-YWPP](#) [00-9089-RDPP](#) [00-9300-RDPP](#) [CRCW2010331JR02](#) [601-JJ-06](#) [601-SPB](#) [601YSY](#) [602-JJ-03](#) [602SPB](#) [603-JJ-07-FP](#) [603-](#)  
[JJY-04](#) [M15570-25](#) [CRTN1013](#) [CS16](#) [6-1579014-0](#) [CSB3](#) [6203](#) [62200-5709](#) [6240-1](#) [M43435](#) [TY 2 SZ 3 FIN B BLK](#) [M-5Z](#) [M6816](#) [M7298](#)  
[M7456](#) [M7976](#) [660-29ABT1](#) [662508-1](#) [CVHD-950X-93.333](#) [CW104-01X](#) [671-GP-04-KT39-73207](#)