

PLEASE CHECK WWW.MOLEX.COM FOR LATEST PART INFORMATION

Part Number: [0622018649](#)
Status: **Active**
Overview: [Application Tooling](#)
Description: Right-Angle Power Module Installation, Press-In Tool

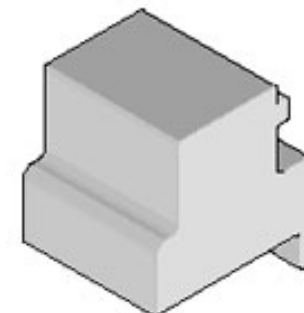
Documents:
[RoHS Certificate of Compliance \(PDF\)](#)

General

Product Family	Application Tooling
Series	207123
Comments	See Tooling Specification (PDF) Above
Function	Insertion
Geographic Area	Global
Level of Automation	Manual
More Detailed Tech Information	applicationtooling@molex.com
Overview	Application Tooling
Product Name	Impact
Tool Type	Press-Fit Insertion Tool
UPC	883906116088
Warranty Disclaimer	CAUTION: Molex tooling crimp specifications are valid only when used with Molex terminals and tooling manufactured by Molex and sold by Molex or authorized distributors ("Molex Tooling"). When using tooling other than Molex Tooling with Molex specific connector systems listed in our ATS documents, the Molex tooling qualification does not apply and the responsibility for full qualification of the connector system is that of the customer. Molex accepts no liability for connector performance or tooling support where tooling other than Molex Tooling is used or where Molex Tooling is modified.

Material Info

Reference - Drawing Numbers
Application Tooling Documents [ATS-622018649-001, TM-622018799-001](#)



Series image - Reference only

EU ELV

Not Relevant

EU RoHS

Not Reviewed

REACH SVHC

Not Contained Per -
ED/108/2014 (17 Dec
2014)

Halogen-Free

Status

Not Relevant

For more information, please visit [Contact US](#)

China ROHS

China RoHS

ELV

Not Relevant

RoHS Phthalates

Not Relevant

Not Reviewed

Search Parts in this Series

[207123 Series](#)

Use With

[78211](#) Impact Right Angle Power Module Assembly

Application Tooling | **FAQ**

Description | **Product #**

Impact 3 Pair, Right- [782111011](#)
Angle Power Header,
Press-Fit, Blade
A1 & A2, B1 & B2
Length 6.90mm,
LCP, Glass Filled
UL94-V0, Black, Tray
Packaging, Lead-
Free

Impact 3 Pair, Right- [782111022](#)
Angle Power Header,
Press-Fit, Blade
A1 & A2, B1 & B2
Length 5.70mm,
LCP, Glass Filled
UL94-V0, Black, Tray

Packaging, Lead-Free

Impact 3 Pair, Right- [782111033](#)
Angle Power Header,
Press-Fit, Blade
A1 & A2 Length
5.70mm, Blade B1
& B2 Length 6.90,
LCP, Glass Filled
UL94-V0, Black, Tray

Packaging, Lead-Free

Impact 3 Pair, Right- [782111044](#)
Angle Power Header,
Press-Fit, Blade
A1 & A2 Length
6.90mm, Blade B1 &
B2 Length 5.70mm,
LCP, Glass Filled
UL94-V0, Black, Tray

Packaging, Lead-Free

Impact 3 Pair, [782471001](#)
Right-Angle Power
Receptacle, Press-
Fit, LCP, Glass Filled
UL94-V0, Black, Tray

Packaging, Lead-Free

Impact 3 Pair, Right- [783471001](#)
Angle Power Header,
Left Hold-Down,
Press-Fit, Module
1: P1 & P2 Blade

Length 6.90mm,
LCP, Glass Filled
UL94-V0, Black, Tray
Packaging, Lead-Free

Impact 3 Pair, Right- [783471002](#)
Angle Power Header,
Left Hold-Down,
Press-Fit, Module
1: P1 & P2 Blade

Length 5.700mm,
LCP, Glass Filled
UL94-V0, Black, Tray
Packaging, Lead-Free

Impact 3 Pair, Right- [783471003](#)
Angle Power Header,
Left Hold-Down,
Press-Fit, Module
1: P1 & P2 Blade

Length 6.90mm
& 5.70mm, LCP,
Glass Filled UL94-
V0, Black, Tray
Packaging, Lead-Free

Impact 3 Pair, Right- [783471004](#)
Angle Power Header,
Left Hold-Down,
Press-Fit, Module
1: P1 & P2 Blade

Length 5.70mm
& 6.90mm, LCP,
Glass Filled UL94-
V0, Black, Tray
Packaging, Lead-
Free

Impact 3 Pair, Right- [783471011](#)

Angle Power Header,
Left Hold-Down,
Press-Fit, Module
1: P1 & P2, Blade
Length 6.90mm;
Module 2: P1 &
P2 Blade Length
6.90mm, LCP,
Glass Filled UL94-
V0, Black, Tray
Packaging, Lead-
Free

Impact 3 Pair Right- [783471012](#)

Angle Power Header,
2 Modules with Left
Hold-Down, Press-
Fit, Module 1: P1
& P2 Blade Length
5.70mm, Module
2: P1 & P2 Blade
Length 6.90mm,
LCP, Glass Filled
UL94-V0, Black,
Lead-Free

Impact 3 Pair, Right- [783471033](#)

Angle Power Header,
2 Modules with Left
Hold-Down, Press-
Fit, Module 1: P1
& P2 Blade Length
6.90mm & 5.70mm,
Module 2: P1 &
P2 Blade Length
5.70mm & 6.90mm,
Glass Filled UL94-
V0, Black

Impact 3 Pair, Right- [783471042](#)

Angle Power Header,
2 Modules with Left
Hold-Down, Press-
Fit, Module 1: P1
& P2 Blade Length
5.70mm, Module
2: P1 & P2 Blade
Length 5.70mm,
Glass Filled UL94-
V0, Black

Impact 3 Pair, Right- [783471044](#)

Angle Power Header,
2 Modules with Left
Hold-Down, Press-
Fit, Module 1: P1
& P2 Blade Length
5.70mm & 6.90mm,
Module 2: P1 &
P2 Blade Length
5.70mm & 6.90mm,

Glass Filled UL94-V0, Black
Impact 3 Pair, Right- [783472001](#)
Angle Power Header,
Right Hold-Down,
Press-Fit, Module
1: P1 & P2 Blade
Length 6.90mm,
LCP, Glass Filled
UL94-V0, Black, Tray
Packaging, Lead-Free

Impact 3 Pair Right- [783472002](#)
Angle Power Header,
Right Hold-Down,
Press-Fit, Module
1: P1 & P2 Blade
Length 5.70mm,
LCP, Glass Filled
UL94-V0, Black,
Lead-Free

Impact 3 Pair, Right- [783472003](#)
Angle Power Header,
Right Hold-Down,
Press-Fit, Module
1: P1 & P2 Blade
Length 6.90mm
& 5.70mm, LCP,
Glass Filled UL94-V0, Black, Tray
Packaging, Lead-Free

Impact 3 Pair, Right- [783472004](#)
Angle Power Header,
Right Hold-Down,
Press-Fit, Module
1: P1 & P2 Blade
Length 5.70mm
& 6.90mm, LCP,
Glass Filled UL94-V0, Black, Tray
Packaging, Lead-Free

Impact 3 Pair, Right- [783472011](#)
Angle Power Header,
2 Modules with Right
Hold-Down, Press-Fit, Module 1: P1 & P2, Blade Length 6.90mm; Module 2: P1 & P2 Blade Length 6.90mm, LCP, Glass Filled UL94-V0, Black, Tray
Packaging, Lead-Free

Impact 3 Pair, Right- [783472021](#)
Angle Power Header,
2 Modules with Right
Hold-Down, Press-Fit, Module 1: P1 & P2, Blade Length 6.90mm; Module 2: P1 & P2 Blade Length 5.70mm,

LCP, Glass Filled
UL94-V0, Black, Tray
Packaging, Lead-
Free

Impact 3 Pair, Right- [783472033](#)
Angle Power Header,
2 Modules with Right
Hold-Down, Press-
Fit, Module 1: P1 &
P2, Blade Length
6.90mm & 5.70mm;
Module 2: P1 &
P2 Blade Length
6.90mm & 5.70mm,
LCP, Glass Filled
UL94-V0, Black, Tray
Packaging, Lead-
Free

Impact 3 Pair, Right- [783472044](#)
Angle Power Header,
2 Modules with Right
Hold-Down, Press-
Fit, Module 1: P1 &
P2, Blade Length
5.70mm & 6.90mm;
Module 2: P1 &
P2 Blade Length
5.70mm & 6.90mm,
LCP, Glass Filled
UL94-V0, Black, Tray
Packaging, Lead-
Free

Impact 3 Pair, [783481001](#)
Right-Angle Power
Receptacle, Left
Hold-Down, Press-
Fit, LCP, Glass Filled
UL94-V0, Black, Tray
Packaging, Lead-
Free

Impact 3 Pair, [783481011](#)
Right-Angle Power
Receptacle, 2
Modules with Left
Hold-Down, Press-
Fit, LCP, Glass Filled
UL94-V0, Black, Tray
Packaging, Lead-
Free

Impact 3 Pair, [783482001](#)
Right-Angle Power
Receptacle, Right
Hold-Down, Press-
Fit, LCP, Glass Filled
UL94-V0, Black, Tray
Packaging, Lead-
Free

Impact 3 Pair, [783482011](#)
Right-Angle Power
Receptacle, 2
Modules with Right
Hold-Down, Press-
Fit, LCP, Glass Filled
UL94-V0, Black, Tray

Packaging, Lead-Free

Impact 3 Pair, Right- [786421044](#)
Angle Power Header,
Board lock for 2.0mm
to 3.0mm PCB
thickness, Blade
A1 & A2 Length
6.90mm, Blade B1
& B2 Length 5.70,
Press-Fit, LCP,
Glass Filled UL94-
V0, Black, Tray
Packaging, Lead-Free

Impact 3 Pair, Right- [786981044](#)
Angle Power Header,
Board lock for 2.75
to 3.75mm PCB
thickness, Blade
A1 & A2 Length
6.90mm, Blade B1
& B2 Length 5.70,
Press-Fit, LCP,
Glass Filled UL94-
V0, Black, Tray
Packaging, Lead-Free

This document was generated on 06/26/2021

PLEASE CHECK WWW.MOLEX.COM FOR LATEST PART INFORMATION

X-ON Electronics

Largest Supplier of Electrical and Electronic Components

Click to view similar products for [Bench Top Tools](#) category:

Click to view products by [Molex](#) manufacturer:

Other Similar products are found below :

[0027](#) [6-1372442-6](#) [63801-4462](#) [63801-4561](#) [63801-7269](#) [679527-1](#) [691667-1](#) [7-21000-9](#) [768539-1](#) [854130-1](#) [854946-2](#) [856203-1](#) [904449-1](#)
[9-22280-9](#) [986096-2](#) [992438-3](#) [1-21000-3](#) [1-21000-1](#) [1-25022-4](#) [1302263353](#) [1302263355](#) [1302261057](#) [1302261101](#) [1302261206](#)
[1302261560](#) [1302263123](#) [1302264036](#) [1424264-1](#) [1424267-1](#) [1428211-1](#) [1428287-1](#) [1-455755-6](#) [1752744-1](#) [18023-9](#) [189763-1](#) [1901726-1](#)
[2079747-1](#) [21001-2](#) [2119083-1](#) [2119085-1](#) [2119371-1](#) [2161930-1](#) [2217088-2](#) [2217339-1](#) [2217347-1](#) [22281-9](#) [22374-7](#) [284565-000](#) [F1](#)
[Handle Spring](#) [19228-0213](#)