

PLEASE CHECK WWW.MOLEX.COM FOR LATEST PART INFORMATION

Part Number: [0622018657](#)
Status: **Active**
Overview: [Application Tooling](#)
Description: Press-In Tool for Daughter Card Module

Documents:

[RoHS Certificate of Compliance \(PDF\)](#)

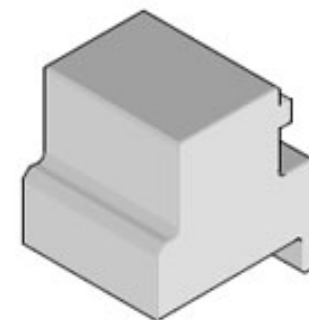
General

Product Family	Application Tooling
Series	207123
Comments	See Tooling Specification (PDF) Above
Function	Insertion
Geographic Area	Global
Level of Automation	Manual
More Detailed Tech Information	applicationtooling@molex.com
Overview	Application Tooling
Product Name	PremiumGrade
Tool Type	Press-Fit Insertion Tool
UPC	883906116156
Warranty Disclaimer	CAUTION: Molex tooling crimp specifications are valid only when used with Molex terminals and tooling manufactured by Molex and sold by Molex or authorized distributors ("Molex Tooling"). When using tooling other than Molex Tooling with Molex specific connector systems listed in our ATS documents, the Molex tooling qualification does not apply and the responsibility for full qualification of the connector system is that of the customer. Molex accepts no liability for connector performance or tooling support where tooling other than Molex Tooling is used or where Molex Tooling is modified.

Material Info

Reference - Drawing Numbers
Application Tooling Documents

ATS-622018657, TM-622018799



Series image - Reference only

EU ELV

Not Relevant

EU RoHS

Not Reviewed

REACH SVHC

Not Contained Per -
ED/108/2014 (17 Dec
2014)

Halogen-Free

Status

Not Relevant

For more information, please visit [Contact US](#)

China ROHS

China RoHS

Not Relevant

ELV

Not Relevant

RoHS Phthalates

Not Reviewed

Search Parts in this Series

[207123 Series](#)

Use With

Impact Daughtercard Signal Module
Assembly [76060](#)

Application Tooling | [FAQ](#)

Description	Product #
Impact 85 Ohm Plus 5 Pair Right-Angle Daughtercard, Unguided, 10 Columns, 150 Circuits, Plated Through Hole Dimension 0.39mm, Lead Free	1704801020
Impact 85 Ohm Plus 5 Pair Right-Angle Daughtercard, Left Guided, 10 Columns, 150 Circuits, Plated Through Hole	1704803020

Dimension 0.39mm,
Lead Free
Impact 85 Ohm Plus [1704805020](#)
5 Pair Right-Angle
Daughtercard, Right
Guided, 10 Columns,
150 Circuits, Plated
Through Hole
Dimension 0.39mm,
Lead Free
Impact 100 Ohm [760601010](#)
5 Pair Right-Angle
Daughtercard
Receptacle,
Unguided, 10
Columns, 150
Circuits, Plated
Through Hole
Dimension 0.46mm,
Lead-Free
Impact 100 Ohm [760601020](#)
5 Pair Right-Angle
Daughtercard
Receptacle,
Unguided, 10
Columns, 150
Circuits, Plated
Through Hole
Dimension 0.39mm,
Lead-Free
Impact 100 Ohm [760603010](#)
5 Pair Right-Angle
Daughtercard
Receptacle, Left
Guided, 10 Columns,
150 Circuits, Plated
Through Hole
Dimension 0.46mm,
Lead-Free
Impact 100 Ohm [760603020](#)
5 Pair Right-Angle
Daughtercard
Receptacle, Left
Guided, 10 Columns,
150 Circuits, Plated
Through Hole
Dimension 0.39mm,
Lead-Free
Impact 100 Ohm [760603520](#)
5 Pair Right-Angle
Daughtercard
Receptacle, Left
Guided, 10 Columns,
150 Circuits, Plated
Through Hole
Dimension 0.39mm,
Keying Orientation E,
Lead-Free
Impact 100 Ohm [760605010](#)
5 Pair Right-Angle
Daughtercard
Receptacle, Right
Guided, 10 Columns,
150 Circuits, Plated
Through Hole

Dimension 0.46mm,
Lead-Free
Impact 100 Ohm 760605020
5 Pair Right-Angle
Daughtercard
Receptacle, Right
Guided, 10 Columns,
150 Circuits, Plated
Through Hole
Dimension 0.39mm,
Lead-Free
Impact 100 Ohm 769901010
5 Pair Right-
Angle Orthogonal
Daughtercard,
Unguided, 10
Columns, 150
Circuits, Plated
Through Hole
Dimension 0.46mm,
Lead-Free
Impact 100 Ohm 769901020
5 Pair Right-
Angle Orthogonal
Daughtercard,
Unguided, 10
Columns, 150
Circuits, Plated
Through Hole
Dimension 0.39mm,
Lead-Free
Impact 100 Ohm 769903020
5 Pair Right-
Angle Orthogonal
Daughtercard, Left
Guide, 10 Columns,
150 Circuits, Plated
Through Hole
Dimension 0.39mm,
Lead-Free
Impact 100 Ohm 769905020
5 Pair Right-
Angle Orthogonal
Daughtercard, Right
Guide, 10 Columns,
150 Circuits, Plated
Through Hole
Dimension 0.39mm,
Lead-Free

This document was generated on 02/26/2021

PLEASE CHECK WWW.MOLEX.COM FOR LATEST PART INFORMATION

X-ON Electronics

Largest Supplier of Electrical and Electronic Components

Click to view similar products for [Bench Top Tools](#) category:

Click to view products by [Molex](#) manufacturer:

Other Similar products are found below :

[0027](#) [6-1372442-6](#) [63801-4462](#) [63801-4561](#) [63801-7269](#) [679527-1](#) [691667-1](#) [7-21000-9](#) [768539-1](#) [854130-1](#) [854946-2](#) [856203-1](#) [904449-1](#)
[9-22280-9](#) [986096-2](#) [992438-3](#) [1-21000-3](#) [1-21000-1](#) [1-25022-4](#) [1302263353](#) [1302263355](#) [1302261057](#) [1302261101](#) [1302261206](#)
[1302261560](#) [1302263123](#) [1302264036](#) [1424264-1](#) [1424267-1](#) [1428211-1](#) [1428287-1](#) [1-455755-6](#) [1752744-1](#) [18023-9](#) [189763-1](#) [1901726-1](#)
[2079747-1](#) [21001-2](#) [2119083-1](#) [2119085-1](#) [2119371-1](#) [2161930-1](#) [2217088-2](#) [2217339-1](#) [2217347-1](#) [22281-9](#) [22374-7](#) [284565-000](#) [F1](#)
[Handle Spring](#) [19228-0213](#)