

**PLEASE CHECK WWW.MOLEX.COM FOR LATEST PART INFORMATION**

**Part Number:** [0622018696](#)  
**Status:** **Active**  
**Overview:** [Application Tooling](#)  
**Description:** Press-In Tool for Vertical Signal Module Assembly, 5-Pair by 16-Column

**Documents:**

[RoHS Certificate of Compliance \(PDF\)](#)

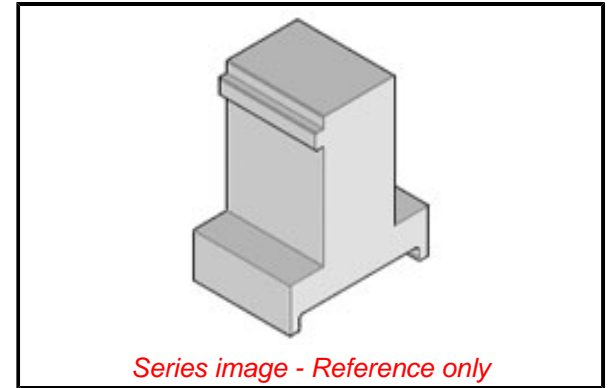
**General**

Product Family	Application Tooling
Series	<a href="#">207123</a>
Function	Insertion
Geographic Area	Global
Level of Automation	Semi-Automatic
More Detailed Tech Information	<a href="mailto:applicationtooling@molex.com">applicationtooling@molex.com</a>
Overview	<a href="#">Application Tooling</a>
Product Name	Impact
Tool Type	Press-Fit Insertion Tool
UPC	883906498771
Warranty Disclaimer	CAUTION: Molex tooling crimp specifications are valid only when used with Molex terminals and tooling manufactured by Molex and sold by Molex or authorized distributors ("Molex Tooling"). When using tooling other than Molex Tooling with Molex specific connector systems listed in our ATS documents, the Molex tooling qualification does not apply and the responsibility for full qualification of the connector system is that of the customer. Molex accepts no liability for connector performance or tooling support where tooling other than Molex Tooling is used or where Molex Tooling is modified.

**Material Info**

**Reference - Drawing Numbers**

Application Tooling Documents [ATS-622018696, TM-622018799](#)



**EU ELV**

**Not Relevant**

**EU RoHS**

**Not Reviewed**

**REACH SVHC**

Not Reviewed

**Halogen-Free**

**Status**

**Not Relevant**

For more information, please visit [Contact US](#)

China ROHS

Not Relevant

ELV

Not Relevant

RoHS Phthalates

Not Reviewed

**Search Parts in this Series**

[207123 Series](#)

**Use With**

[76530](#) Impact Vertical Mezzanine Signal Module Assembly

**Application Tooling** | **FAQ**

<b>Description</b>	<b>Product #</b>
--------------------	------------------

Impact 100 Ohm 5 Pair Mezzanine Receptacle, 28mm Stack Height, Unguided, 16 Columns, 240 Circuits, Plated Through Hole Dimension 0.39mm, Lead-Free	<a href="#">765301026</a>
---	---------------------------

Impact 100 Ohm 5 Pair Mezzanine Receptacle, 38mm Stack Height, Unguided, 16 Columns, 240 Circuits, Plated Through Hole	<a href="#">765301036</a>
---	---------------------------

Dimension 0.39mm,  
Lead-Free

Impact 100 Ohm 765301046

5 Pair Mezzanine  
Receptacle, 40mm  
Stack Height,  
Unguided, 16  
Columns, 240  
Circuits, Plated  
Through Hole

Dimension 0.39mm,  
Lead-Free

Impact 100 Ohm 765303036

5 Pair Mezzanine  
Receptacle, 38mm  
Stack Height, Left  
Guided, 16 Columns,  
240 Circuits, Plated  
Through Hole

Dimension 0.39mm,  
Lead-Free

Impact 100 Ohm 765303046

5 Pair Mezzanine  
Receptacle, 40mm  
Stack Height, Left  
Guided, 16 Columns,  
240 Circuits, Plated  
Through Hole

Dimension 0.39mm,  
Lead-Free

Impact 100 Ohm 765305036

5 Pair Mezzanine  
Receptacle, 38mm  
Stack Height, Right  
Guided, 16 Columns,  
240 Circuits, Plated  
Through Hole

Dimension 0.39mm,  
Lead-Free

Impact 100 Ohm 765305046

5 Pair Mezzanine  
Receptacle, 40mm  
Stack Height, Right  
Guided, 16 Columns,  
240 Circuits, Plated  
Through Hole

Dimension 0.39mm,  
Lead-Free

This document was generated on 02/26/2021

**PLEASE CHECK [WWW.MOLEX.COM](http://WWW.MOLEX.COM) FOR LATEST PART INFORMATION**

## X-ON Electronics

Largest Supplier of Electrical and Electronic Components

*Click to view similar products for [Other Tools](#) category:*

*Click to view products by [Molex](#) manufacturer:*

Other Similar products are found below :

[CR-0AFL4--332K](#) [568681-1](#) [5800-0090](#) [58061-1](#) [59065-5](#) [59085](#) [00-8273-RDPP](#) [00-8729-WHPP](#) [593033](#) [593072](#) [593564100](#) [593575](#)  
[593593](#) [011349-000](#) [CRCW08052740FRT1](#) [LUC-012S070DSM](#) [LUC-018S070DSP](#) [LUC-024S105DSP](#) [599-2021-3-NME](#) [599-JJ-2021-03](#)  
[00-5080-YWPP](#) [00-9089-RDPP](#) [00-9300-RDPP](#) [CRCW2010331JR02](#) [601-JJ-06](#) [601-SPB](#) [601YSY](#) [602-JJ-03](#) [602SPB](#) [603-JJ-07-FP](#) [603-](#)  
[JJY-04](#) [M15570-25](#) [CRTN1013](#) [CS16](#) [6-1579014-0](#) [CSB3](#) [6203](#) [62200-5709](#) [6240-1](#) [M43435](#) [TY 2](#) [SZ 3](#) [FIN B](#) [BLK](#) [M-5Z](#) [M6816](#) [M7298](#)  
[M7456](#) [M7976](#) [660-29ABT1](#) [662508-1](#) [CVHD-950X-93.333](#) [CW104-01X](#) [671-GP-04-KT39-73207](#)