

PLEASE CHECK WWW.MOLEX.COM FOR LATEST PART INFORMATION

Part Number: [0622018735](#)
Status: **Active**
Overview: [Application Tooling](#)
Description: Press-In Tool for Daughter Card 5-Pair by 12-Column Assemblies

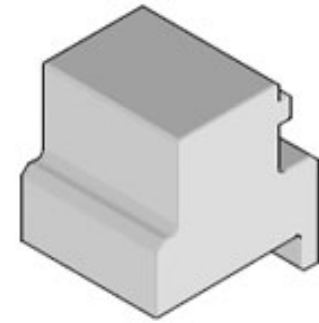
Documents:
[RoHS Certificate of Compliance \(PDF\)](#)

General

Product Family	Application Tooling
Series	207123
Comments	See Tooling Specification (PDF) Above
Function	Insertion
Geographic Area	Global
Level of Automation	Manual
More Detailed Tech Information	applicationtooling@molex.com
Overview	Application Tooling
Product Name	Impact
Tool Type	Press-Fit Insertion Tool
UPC	883906855154
Warranty Disclaimer	CAUTION: Molex tooling crimp specifications are valid only when used with Molex terminals and tooling manufactured by Molex and sold by Molex or authorized distributors ("Molex Tooling"). When using tooling other than Molex Tooling with Molex specific connector systems listed in our ATS documents, the Molex tooling qualification does not apply and the responsibility for full qualification of the connector system is that of the customer. Molex accepts no liability for connector performance or tooling support where tooling other than Molex Tooling is used or where Molex Tooling is modified.

Material Info

Reference - Drawing Numbers
Application Tooling Documents [ATS-622018735, TM-622018799](#)



Series image - Reference only

EU ELV

Not Relevant

EU RoHS

Not Reviewed

REACH SVHC

Not Reviewed

Halogen-Free

Status

Not Relevant

For more information, please visit [Contact US](#)

China ROHS

China RoHS

Not Relevant

ELV

Not Relevant

RoHS Phthalates

Not Reviewed

Search Parts in this Series

[207123 Series](#)

Use With

[76060](#) Impact Daughtercard Signal Module Assembly Series. [76990](#) Impact Daughtercard Orthogonal Assembly 5-Pair by 12 Column Assemblies

Application Tooling | [FAQ](#)

Description	Product #
Impact 85 Ohm Plus 5 Pair Right-Angle Daughtercard, Unguided, 12 Columns, 180 Circuits, Plated Through Hole Dimension 0.39mm, Lead Free	1704801022
Impact 85 Ohm Plus 5 Pair Right-Angle Daughtercard, Left Guided, 12 Columns, 180 Circuits, Plated Through Hole	1704803022

Dimension 0.39mm,
Lead Free
Impact 85 Ohm Plus [1704805022](#)
5 Pair Right-Angle
Daughtercard, Right
Guided, 12 Columns,
180 Circuits, Plated
Through Hole
Dimension 0.39mm,
Lead Free
Impact 100 Ohm [760601012](#)
5 Pair Right-Angle
Daughtercard
Receptacle,
Unguided, 12
Columns, 180
Circuits, Plated
Through Hole
Dimension 0.46mm,
Lead Free
Impact 100 Ohm [760601022](#)
5 Pair Right-Angle
Daughtercard
Receptacle,
Unguided, 12
Columns, 180
Circuits, Plated
Through Hole
Dimension 0.39mm,
Lead-Free
Impact 100 Ohm [760603012](#)
5 Pair Right-Angle
Daughtercard
Receptacle, Left
Guided, 12 Columns,
180 Circuits, Plated
Through Hole
Dimension 0.46mm,
Lead Free
Impact 100 Ohm [760603022](#)
5 Pair Right-Angle
Daughtercard
Receptacle, Left
Guided, 12 Columns,
180 Circuits, Plated
Through Hole
Dimension 0.39mm,
Lead-Free
Impact 100 Ohm [760605012](#)
5 Pair Right-Angle
Daughtercard
Receptacle, Right
Guided, 12 Columns,
180 Circuits, Plated
Through Hole
Dimension 0.46mm,
Lead Free
Impact 100 Ohm [760605022](#)
5 Pair Right-Angle
Daughtercard
Receptacle, Right
Guided, 12 Columns,
180 Circuits, Plated
Through Hole

Dimension 0.39mm,
Lead-Free
Impact 100 Ohm 769901022
5 Pair Right-
Angle Orthogonal
Daughtercard,
Unguided, 12
Columns, 180
Circuits, Plated
Through Hole
Dimension 0.39mm,
Lead-Free
Impact 100 Ohm 769903022
5 Pair Right-
Angle Orthogonal
Daughtercard, Left
Guide, 12 Columns,
180 Circuits, Plated
Through Hole
Dimension 0.39mm,
Lead-Free
Impact 100 Ohm 769905022
5 Pair Right-
Angle Orthogonal
Daughtercard, Right
Guide, 12 Columns,
180 Circuits, Plated
Through Hole
Dimension 0.39mm,
Lead-Free

This document was generated on 02/26/2021

PLEASE CHECK WWW.MOLEX.COM FOR LATEST PART INFORMATION

X-ON Electronics

Largest Supplier of Electrical and Electronic Components

Click to view similar products for [Bench Top Tools](#) category:

Click to view products by [Molex](#) manufacturer:

Other Similar products are found below :

[0027](#) [6-1372442-6](#) [63801-4462](#) [63801-4561](#) [63801-7269](#) [679527-1](#) [691667-1](#) [7-21000-9](#) [768539-1](#) [854130-1](#) [854946-2](#) [856203-1](#) [904449-1](#)
[9-22280-9](#) [986096-2](#) [992438-3](#) [1-21000-3](#) [1-21000-1](#) [1-25022-4](#) [1302263353](#) [1302263355](#) [1302261057](#) [1302261101](#) [1302261206](#)
[1302261560](#) [1302263123](#) [1302264036](#) [1424264-1](#) [1424267-1](#) [1428211-1](#) [1428287-1](#) [1-455755-6](#) [1752744-1](#) [18023-9](#) [189763-1](#) [1901726-1](#)
[2079747-1](#) [21001-2](#) [2119083-1](#) [2119085-1](#) [2119371-1](#) [2161930-1](#) [2217088-2](#) [2217339-1](#) [2217347-1](#) [22281-9](#) [22374-7](#) [284565-000](#) [F1](#)
[Handle Spring](#) [19228-0213](#)