

**PLEASE CHECK WWW.MOLEX.COM FOR LATEST PART INFORMATION**

**Part Number:** [0622030028](#)  
**Status:** **Active**  
**Overview:** [Application Tooling](#)  
**Description:** Impact Orthogonal Direct Ram Module Installation Press-In Tool 5-Pair by 10 Column

**Documents:**

[RoHS Certificate of Compliance \(PDF\)](#)

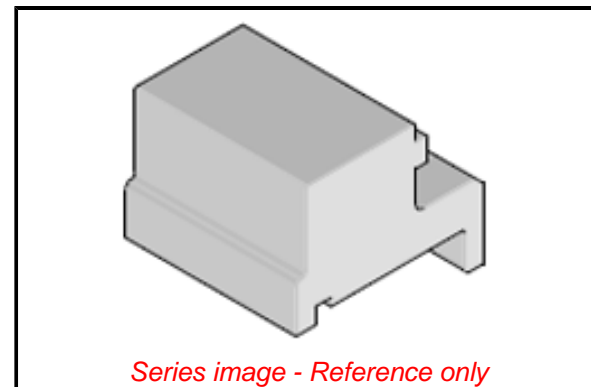
**General**

Product Family	Application Tooling
Series	<a href="#">207123</a>
Comments	See Tooling Specification (PDF) Above
Function	Insertion
Geographic Area	Global
Level of Automation	Manual
More Detailed Tech Information	<a href="mailto:applicationtooling@molex.com">applicationtooling@molex.com</a>
Overview	<a href="#">Application Tooling</a>
Product Name	Impact
Tool Type	Press-Fit Insertion Tool
UPC	887191087351
Warranty Disclaimer	CAUTION: Molex tooling crimp specifications are valid only when used with Molex terminals and tooling manufactured by Molex and sold by Molex or authorized distributors ("Molex Tooling"). When using tooling other than Molex Tooling with Molex specific connector systems listed in our ATS documents, the Molex tooling qualification does not apply and the responsibility for full qualification of the connector system is that of the customer. Molex accepts no liability for connector performance or tooling support where tooling other than Molex Tooling is used or where Molex Tooling is modified.

**Material Info**

**Reference - Drawing Numbers**

Application Tooling Documents [ATS-622030028](#), [ATS-622030058](#), [TM-622018799](#)



**EU ELV**

**Not Relevant**

**EU RoHS**

**Not Reviewed**

**REACH SVHC**

Not Reviewed

**Halogen-Free**

**Status**

**Not Relevant**

For more information, please visit [Contact US](#)

China ROHS

Not Relevant

ELV

Not Relevant

RoHS Phthalates

Not Reviewed

**Search Parts in this Series**

[207123](#) Series

**Use With**

[171575](#) Impact Orthogonal Direct Ram Module Assembly

**Application Tooling | FAQ**

Description	Product #
Impact 100 Ohm 5 Pair Right-Angle Orthogonal Direct Header, Unguided, Dual Endwall, with Outrigger, 10 Column, 90#Mate Position, Pin Length 4.90mm, Plated Through-Hole Dimension 0.46mm, Lead-Free	<a href="#">1715751114</a>
Impact 100 Ohm 5 Pair Right-Angle Orthogonal Direct Header, Unguided, Dual Endwall, with Outrigger, 10	<a href="#">1715751115</a>

Column, 90#Mate  
Position, Pin Length  
5.50mm, Plated  
Through-Hole  
Dimension 0.46mm,  
Lead-Free  
Impact 100 Ohm [1715751117](#)  
5 Pair Right-Angle  
Orthogonal Direct  
Header, Unguided,  
Dual Endwall,  
with Outrigger, 10  
Column, 90#Mate  
Position, Pin Length  
4.90mm, Plated  
Through-Hole  
Dimension 0.39mm,  
Lead-Free  
Impact 100 Ohm [1715751118](#)  
5 Pair Right-Angle  
Orthogonal Direct  
Header, Unguided,  
Dual Endwall,  
with Outrigger, 10  
Column, 90#Mate  
Position, Pin Length  
5.50mm, Plated  
Through-Hole  
Dimension 0.39mm,  
Lead-Free  
Impact 100 Ohm [1715757104](#)  
5 Pair Right-Angle  
Orthogonal Direct  
Header, Top Guide,  
Bottom Endwall,  
with Outrigger, 10  
Column, 90#Mate  
Position, Pin Length  
4.90mm, Plated  
Through-Hole  
Dimension 0.46mm,  
Lead-Free  
Impact 100 Ohm [1715757105](#)  
5 Pair Right-Angle  
Orthogonal Direct  
Header, Top Guide,  
Bottom Endwall,  
with Outrigger, 10  
Column, 90#Mate  
Position, Pin Length  
5.50mm, Plated  
Through-Hole  
Dimension 0.46mm,  
Lead-Free  
Impact 100 Ohm [1715757107](#)  
5 Pair Right-Angle  
Orthogonal Direct  
Header, Top Guide,  
Bottom Endwall,  
with Outrigger, 10  
Column, 90#Mate  
Position, Pin Length  
4.90mm, Plated  
Through-Hole

Dimension 0.39mm,  
Lead-Free  
Impact 100 Ohm 1715757108  
5 Pair Right-Angle  
Orthogonal Direct  
Header, Top Guide,  
Bottom Endwall,  
with Outrigger, 10  
Column, 90#Mate  
Position, Pin Length  
5.50mm, Plated  
Through-Hole  
Dimension 0.39mm,  
Lead-Free  
Impact 100 Ohm 1715759104  
5 Pair Right-Angle  
Orthogonal Direct  
Header, Bottom  
Guide, Top Endwall,  
with Outrigger, 10  
Column, 90#Mate  
Position, Pin Length  
4.90mm, Plated  
Through-Hole  
Dimension 0.46mm,  
Lead-Free  
Impact 100 Ohm 1715759105  
5 Pair Right-Angle  
Orthogonal Direct  
Header, Bottom  
Guide, Top Endwall,  
with Outrigger, 10  
Column, 90#Mate  
Position, Pin Length  
5.50mm, Plated  
Through-Hole  
Dimension 0.46mm,  
Lead-Free  
Impact 100 Ohm 1715759107  
5 Pair Right-Angle  
Orthogonal Direct  
Header, Bottom  
Guide, Top Endwall,  
with Outrigger, 10  
Column, 90#Mate  
Position, Pin Length  
4.90mm, Plated  
Through-Hole  
Dimension 0.39mm,  
Lead-Free  
Impact 100 Ohm 1715759108  
5 Pair Right-Angle  
Orthogonal Direct  
Header, Bottom  
Guide, Top Endwall,  
with Outrigger, 10  
Column, 90#Mate  
Position, Pin Length  
5.50mm, Plated  
Through-Hole  
Dimension 0.39mm,  
Lead-Free

This document was generated on 02/27/2021

**PLEASE CHECK [WWW.MOLEX.COM](http://WWW.MOLEX.COM) FOR LATEST PART INFORMATION**

## X-ON Electronics

Largest Supplier of Electrical and Electronic Components

*Click to view similar products for [Hand Tools](#) category:*

*Click to view products by [Molex](#) manufacturer:*

Other Similar products are found below :

[58284-1](#) [662908-1](#) [68764-0001](#) [690619-6](#) [7-354778-7](#) [768531-1](#) [821903-5](#) [822253-1](#) [854183-1](#) [854358-1](#) [992258-1](#) [1-21046-3](#) [1-22145-3](#)  
[1-22278-2](#) [1-24954-2](#) [125529-5](#) [126513-1](#) [1320846-1](#) [1338618-1](#) [1338968-2](#) [1-354779-0](#) [1-354779-2](#) [1-354779-4](#) [1424443-1](#) [1424266-1](#)  
[1424289-1](#) [1424444-1](#) [MS24256A16](#) [1-525442-0](#) [1532195-2](#) [1538773-2](#) [1-59681-8](#) [1-59907-5](#) [1-692134-3](#) [1725760-1](#) [HT-920A-124-](#)  
[HTELE-RPL-KIT](#) [1976923-1](#) [1976969-1](#) [2063794-1](#) [2063795-1](#) [2-21002-1](#) [2-21002-3](#) [2-21002-4](#) [2-21002-7](#) [2-21002-9](#) [2-21004-0](#) [229399-](#)  
[2](#) [229707-1](#) [911737-2](#) [2598-5027-54](#)