

PLEASE CHECK WWW.MOLEX.COM FOR LATEST PART INFORMATION

Part Number: [0622030029](#)
Status: **Active**
Overview: [Application Tooling](#)
Description: Impact Orthogonal Direct Ram Module Installation Press-In Tool

Documents:
[RoHS Certificate of Compliance \(PDF\)](#)

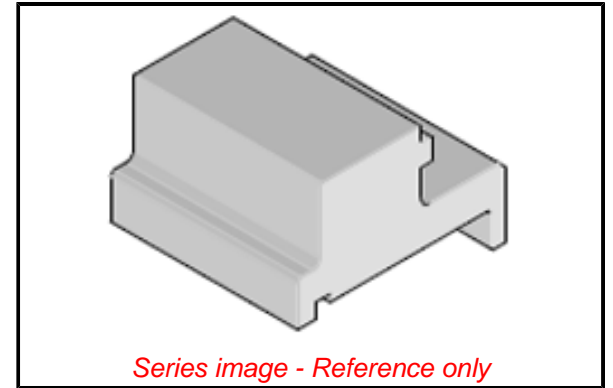
General

Product Family	Application Tooling
Series	207123
Comments	See Tooling Specification (PDF) Above
Function	Insertion
Geographic Area	Global
Level of Automation	Manual
More Detailed Tech Information	applicationtooling@molex.com
Overview	Application Tooling
Product Name	Impact
Tool Type	Press-Fit Insertion Tool
UPC	887191087368
Warranty Disclaimer	CAUTION: Molex tooling crimp specifications are valid only when used with Molex terminals and tooling manufactured by Molex and sold by Molex or authorized distributors ("Molex Tooling"). When using tooling other than Molex Tooling with Molex specific connector systems listed in our ATS documents, the Molex tooling qualification does not apply and the responsibility for full qualification of the connector system is that of the customer. Molex accepts no liability for connector performance or tooling support where tooling other than Molex Tooling is used or where Molex Tooling is modified.

Material Info

Reference - Drawing Numbers
Application Tooling Documents

ATS-622030029-001, TM-622018799-001



EU ELV

Not Relevant

EU RoHS

Not Reviewed

REACH SVHC

Not Reviewed

Halogen-Free

Status

Not Relevant

For more information, please visit [Contact US](#)

China ROHS

Not Relevant

ELV

Not Relevant

RoHS Phthalates

Not Reviewed

Search Parts in this Series

[207123](#) Series

Use With

[171576](#) Impact 100- Orthogonal Direct Ram Module Assembly 6-Pair by 12 Column

Application Tooling | [FAQ](#)

Description	Product #
Impact 100 Ohm 6 Pair Right-Angle Orthogonal Direct Header, Unguided, Dual Endwall, with Outrigger, 12 Column, 90#Mate Position, Pin Length 4.90mm, Plated Through-Hole Dimension 0.46mm, Lead-Free	1715761214
Impact 100 Ohm 6 Pair Right-Angle Orthogonal Direct Header, Unguided, Dual Endwall, with Outrigger, 12	1715761215

Column, 90#Mate
Position, Pin Length
5.50mm, Plated
Through-Hole
Dimension 0.46mm,
Lead-Free
Impact 100 Ohm [1715761217](#)
6 Pair Right-Angle
Orthogonal Direct
Header, Unguided,
Dual Endwall,
with Outrigger, 12
Column, 90#Mate
Position, Pin Length
4.90mm, Plated
Through-Hole
Dimension 0.39mm,
Lead-Free
Impact 100 Ohm [1715761218](#)
6 Pair Right-Angle
Orthogonal Direct
Header, Unguided,
Dual Endwall,
with Outrigger, 12
Column, 90#Mate
Position, Pin Length
5.50mm, Plated
Through-Hole
Dimension 0.39mm,
Lead-Free
Impact 100 Ohm [1715767204](#)
6 Pair Right-Angle
Orthogonal Direct
Header, Top Guide,
Bottom Endwall,
with Outrigger, 12
Column, 90#Mate
Position, Pin Length
4.90mm, Plated
Through-Hole
Dimension 0.46mm,
Lead-Free
Impact 100 Ohm [1715767205](#)
6 Pair Right-Angle
Orthogonal Direct
Header, Top Guide,
Bottom Endwall,
with Outrigger, 12
Column, 90#Mate
Position, Pin Length
5.50mm, Plated
Through-Hole
Dimension 0.46mm,
Lead-Free
Impact 100 Ohm [1715767207](#)
6 Pair Right-Angle
Orthogonal Direct
Header, Top Guide,
Bottom Endwall,
with Outrigger, 12
Column, 90#Mate
Position, Pin Length
4.90mm, Plated
Through-Hole

Dimension 0.39mm,
Lead-Free
Impact 100 Ohm 1715767208
6 Pair Right-Angle
Orthogonal Direct
Header, Top Guide,
Bottom Endwall,
with Outrigger, 12
Column, 90#Mate
Position, Pin Length
5.50mm, Plated
Through-Hole
Dimension 0.39mm,
Lead-Free
Impact 100 Ohm 1715769204
6 Pair Right-Angle
Orthogonal Direct
Header, Bottom
Guide, Top Endwall,
with Outrigger, 12
Column, 90#Mate
Position, Pin Length
4.90mm, Plated
Through-Hole
Dimension 0.46mm,
Lead-Free
Impact 100 Ohm 1715769205
6 Pair Right-Angle
Orthogonal Direct
Header, Bottom
Guide, Top Endwall,
with Outrigger, 12
Column, 90#Mate
Position, Pin Length
5.50mm, Plated
Through-Hole
Dimension 0.46mm,
Lead-Free
Impact 100 Ohm 1715769207
6 Pair Right-Angle
Orthogonal Direct
Header, Bottom
Guide, Top Endwall,
with Outrigger, 12
Column, 90#Mate
Position, Pin Length
4.90mm, Plated
Through-Hole
Dimension 0.39mm,
Lead-Free
Impact 100 Ohm 1715769208
6 Pair Right-Angle
Orthogonal Direct
Header, Bottom
Guide, Top Endwall,
with Outrigger, 12
Column, 90#Mate
Position, Pin Length
5.50mm, Plated
Through-Hole
Dimension 0.39mm,
Lead-Free

This document was generated on 07/27/2021

PLEASE CHECK WWW.MOLEX.COM FOR LATEST PART INFORMATION

X-ON Electronics

Largest Supplier of Electrical and Electronic Components

Click to view similar products for [Hand Tools](#) category:

Click to view products by [Molex](#) manufacturer:

Other Similar products are found below :

[58284-1](#) [662908-1](#) [68764-0001](#) [690619-6](#) [7-354778-7](#) [768531-1](#) [821903-5](#) [822253-1](#) [854183-1](#) [854358-1](#) [992258-1](#) [1-21046-3](#) [1-22145-3](#)
[1-22278-2](#) [1-24954-2](#) [125529-5](#) [126513-1](#) [1320846-1](#) [1338618-1](#) [1338968-2](#) [1-354779-0](#) [1-354779-2](#) [1-354779-4](#) [1424443-1](#) [1424266-1](#)
[1424289-1](#) [1424444-1](#) [MS24256A16](#) [1-525442-0](#) [1532195-2](#) [1538773-2](#) [1-59681-8](#) [1-59907-5](#) [1-692134-3](#) [1725760-1](#) [HT-920A-124-](#)
[HTELE-RPL-KIT](#) [1976923-1](#) [1976969-1](#) [2063794-1](#) [2063795-1](#) [2-21002-1](#) [2-21002-3](#) [2-21002-4](#) [2-21002-7](#) [2-21002-9](#) [2-21004-0](#) [229399-](#)
[2](#) [229707-1](#) [911737-2](#) [2598-5027-54](#)