

PLEASE CHECK WWW.MOLEX.COM FOR LATEST PART INFORMATION

Part Number: [0622030390](#)
Status: **Active**
Overview: [Application Tooling](#)
Description: Multi-Port Connector Extraction Tool

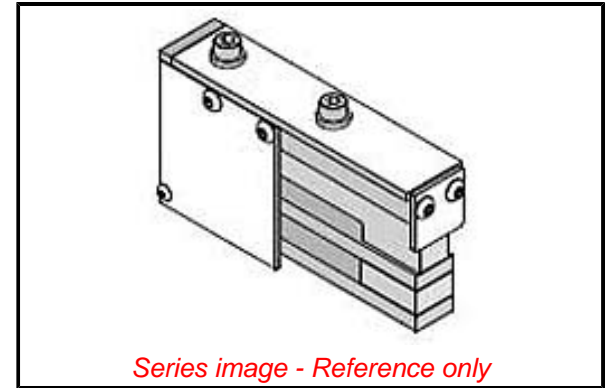
Documents:
[RoHS Certificate of Compliance \(PDF\)](#)

General

Product Family	Application Tooling
Series	207123
Comments	See Tooling Specification (PDF) Above
Function	Extraction
Geographic Area	Global
Level of Automation	Manual
More Detailed Tech Information	applicationtooling@molex.com
Overview	Application Tooling
Product Name	N/A
Tool Type	Press-Fit Extraction Tool
UPC	884982470767
Warranty Disclaimer	CAUTION: Molex tooling crimp specifications are valid only when used with Molex terminals and tooling manufactured by Molex and sold by Molex or authorized distributors ("Molex Tooling"). When using tooling other than Molex Tooling with Molex specific connector systems listed in our ATS documents, the Molex tooling qualification does not apply and the responsibility for full qualification of the connector system is that of the customer. Molex accepts no liability for connector performance or tooling support where tooling other than Molex Tooling is used or where Molex Tooling is modified.

Material Info

Reference - Drawing Numbers
Application Tooling Documents [ATS-622030390](#)



EU ELV

Not Relevant

EU RoHS

Not Reviewed

REACH SVHC

Not Reviewed

Halogen-Free

Status

Not Relevant

For more information, please visit [Contact US](#)

China ROHS

Not Relevant

ELV

Not Relevant

RoHS Phthalates

Not Reviewed

Search Parts in this Series

[207123 Series](#)

Application Tooling | **FAQ**
Description | **Product #**

zQuad Small Form Factor Pluggable Plus (zQSFP+) Stacked Integrated 2-by-1 Connector and Cage with Elastomeric Gasket, Gold (Au) Over Nickel Plated, No Light Pipes	1715651001
zQuad Small Form Factor Pluggable Plus (zQSFP+) Stacked Integrated 2-by-1 Connector and Cage with Elastomeric Gasket, Gold (Au) Over Nickel Plated, Up/Down Light Pipe	1715651002
zQuad Small Form Factor Pluggable	1715651003

Plus (zQSFP+)
Stacked Integrated
2-by-1 Connector
and Cage with
Elastomeric Gasket,
Gold (Au) Over
Nickel Plated, Down/
Up Light Pipe
zQuad Small Form [1717221001](#)
Factor Pluggable
Plus (zQSFP+)
Stacked Integrated
2-by-1 Connector
and Cage with Metal
EMI Gasket, 76
Circuit, Gold (Au)
Over Nickel Plated,
No Light Pipe
zQuad Small Form [1717221002](#)
Factor Pluggable
Plus (zQSFP+)
Stacked Integrated
2-by-1 Connector
and Cage with Metal
EMI Gasket, 76
Circuit, Gold (Au)
Over Nickel Plated,
Up/Down Light Pipe
Indicators
zQuad Small Form [1717221003](#)
Factor Pluggable
Plus (zQSFP+)
Stacked Integrated
2-by-1 Connector
and Cage with Metal
EMI Gasket, 76
Circuit, Gold (Au)
Over Nickel Plated,
Down/Up Light Pipe
Indicators
zQuad Small Form [1717221062](#)
Factor Pluggable
Plus (zQSFP+)
Stacked Integrated
2-by-1 Connector
and Cage with Metal
EMI Gasket, Gold
(Au) Over Nickel
Plated, with Internal
Heat Sinks, Open
Top

This document was generated on 02/27/2021

PLEASE CHECK WWW.MOLEX.COM FOR LATEST PART INFORMATION

X-ON Electronics

Largest Supplier of Electrical and Electronic Components

Click to view similar products for [Extraction, Removal & Insertion Tools](#) category:

Click to view products by [Molex](#) manufacturer:

Other Similar products are found below :

[M8196914-08](#) [768211-2](#) [809-131](#) [844751-2](#) [8-59558-2](#) [91018-1](#) [12014013](#) [12093647](#) [1-21048-0](#) [R282867020](#) [12093078](#) [12180559](#) [1-21048-6](#) [12121897](#) [DCF.91.405.5LT](#) [1322](#) [15314260](#) [15350698](#) [15350707](#) [15430130](#) [1643916-1](#) [1-679532-0](#) [1976593-3](#) [OUTEXT-0321](#) [2-1579008-3](#) [2-1579008-4](#) [229694-7](#) [231106-1](#) [241469](#) [91040-3](#) [91040-7](#) [965004-000](#) [965069-000](#) [1738219-1](#) [ET-JL05-16](#) [FG 0300 146 3000](#) [FIT-6](#) [210S048](#) [2-1579007-9](#) [231879-1](#) [CF-008025-000](#) [312138-3](#) [RJ11FODE](#) [356-162](#) [M8196914-10](#) [4-1579018-0](#) [483249-1](#) [5-1579007-2](#) [5-1579007-9](#) [BPR10](#)