

PLEASE CHECK WWW.MOLEX.COM FOR LATEST PART INFORMATION

Part Number: [0638242800](#)
Status: **Active**
Overview: [Application Tooling](#)
Description: Extractor Tool for Milli-Grid 2.0 Housings

Documents:

[RoHS Certificate of Compliance \(PDF\)](#)

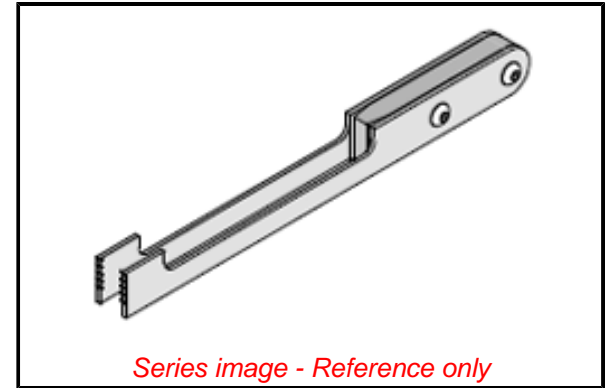
General

Product Family	Application Tooling
Series	207121
Comments	See Tooling Specification (PDF) Above
Function	Extraction
Geographic Area	Global
Level of Automation	Manual
More Detailed Tech Information	applicationtooling@molex.com
Overview	Application Tooling
Product Name	Milli-Grid
Tool Type	Extraction Hand Tool
UPC	887191273129
Warranty Disclaimer	CAUTION: Molex tooling crimp specifications are valid only when used with Molex terminals and tooling manufactured by Molex and sold by Molex or authorized distributors ("Molex Tooling"). When using tooling other than Molex Tooling with Molex specific connector systems listed in our ATS documents, the Molex tooling qualification does not apply and the responsibility for full qualification of the connector system is that of the customer. Molex accepts no liability for connector performance or tooling support where tooling other than Molex Tooling is used or where Molex Tooling is modified.

Material Info

Reference - Drawing Numbers

Application Tooling Documents [ATS-638242800-001](#)



EU ELV

Not Relevant

EU RoHS

Not Reviewed

REACH SVHC

Not Reviewed

Halogen-Free

Status

Not Relevant

For more information, please visit [Contact US](#)

China ROHS

Not Relevant

ELV

Not Relevant

RoHS Phthalates

Not Reviewed

Search Parts in this Series

[207121](#) Series

Use With

[51110](#) Milli-Grid 2.0mm Housings 4-32 circuits

Application Tooling | FAQ

Description	Product #
--------------------	------------------

2.00mm Pitch, Milli-Grid Receptacle Housing, 4 Circuits, without Center Polarization Key, without Locking Ramp, Lead-Free	511100450
---	---------------------------

2.00mm Pitch, Milli-Grid Receptacle Housing, 4 Circuits, without Center Polarization Key, with Locking Ramp, Lead-Free	511100460
--	---------------------------

2.00mm Pitch, Milli-Grid Receptacle Housing, 6 Circuits, without Center	511100650
---	---------------------------

2.00mm Pitch, Milli-Grid Receptacle Housing, 6 Circuits, without Center	511100650
---	---------------------------

2.00mm Pitch, Milli-Grid Receptacle Housing, 6 Circuits, without Center	511100650
---	---------------------------

2.00mm Pitch, Milli-Grid Receptacle Housing, 6 Circuits, without Center	511100650
---	---------------------------

2.00mm Pitch, Milli-Grid Receptacle Housing, 6 Circuits, without Center	511100650
---	---------------------------

2.00mm Pitch, Milli-Grid Receptacle Housing, 6 Circuits, without Center	511100650
---	---------------------------

2.00mm Pitch, Milli-Grid Receptacle Housing, 6 Circuits, without Center	511100650
---	---------------------------

2.00mm Pitch, Milli-Grid Receptacle Housing, 6 Circuits, without Center	511100650
---	---------------------------

2.00mm Pitch, Milli-Grid Receptacle Housing, 6 Circuits, without Center	511100650
---	---------------------------

2.00mm Pitch, Milli-Grid Receptacle Housing, 6 Circuits, without Center	511100650
---	---------------------------

2.00mm Pitch, Milli-Grid Receptacle Housing, 6 Circuits, without Center	511100650
---	---------------------------

2.00mm Pitch, Milli-Grid Receptacle Housing, 6 Circuits, without Center	511100650
---	---------------------------

2.00mm Pitch, Milli-Grid Receptacle Housing, 6 Circuits, without Center	511100650
---	---------------------------

2.00mm Pitch, Milli-Grid Receptacle Housing, 6 Circuits, without Center	511100650
---	---------------------------

2.00mm Pitch, Milli-Grid Receptacle Housing, 6 Circuits, without Center	511100650
---	---------------------------

2.00mm Pitch, Milli-Grid Receptacle Housing, 6 Circuits, without Center	511100650
---	---------------------------

Polarization Key,
without Locking
Ramp, Lead-Free
2.00mm Pitch, Milli- 511100656
Grid Receptacle
Housing, 6 Circuits,
with Center Locking
Ramp and Side
Polarization Keys,
Lead-Free
2.00mm Pitch, Milli- 511100660
Grid Receptacle
Housing, 6 Circuits,
without Center
Polarization Key,
with Locking Ramp,
Lead-Free
2.00mm Pitch, Milli- 511100850
Grid Receptacle
Housing, 8 Circuits,
without Center
Polarization Key,
without Locking
Ramp, Lead-Free
2.00mm Pitch, Milli- 511100851
Grid Receptacle
Housing, 8 Circuits,
with Center
Polarization Key,
without Locking
Ramp, Lead-Free
2.00mm Pitch, Milli- 511100856
Grid Receptacle
Housing, 8 Circuits,
with Center Locking
Ramp and Side
Polarization Keys,
Lead-Free
2.00mm Pitch, Milli- 511100860
Grid Receptacle
Housing, 8 Circuits,
without Center
Polarization Key,
with Locking Ramp,
Lead-Free
2.00mm Pitch, Milli- 511101050
Grid Receptacle
Housing, 10 Circuits,
without Center
Polarization Key,
without Locking
Ramp, Lead-Free
2.00mm Pitch, Milli- 511101051
Grid Receptacle
Housing, 10
Circuits, with Center
Polarization Key,
without Locking
Ramp, Lead-Free
2.00mm Pitch, Milli- 511101056
Grid Receptacle
Housing, 10 Circuits,
with Center Locking
Ramp and Side

Polarization Keys,
Lead-Free
2.00mm Pitch, Milli- 511101060
Grid Receptacle
Housing, 10 Circuits,
without Center
Polarization Key,
with Locking Ramp,
Lead-Free
2.00mm Pitch, Milli- 511101250
Grid Receptacle
Housing, 12 Circuits,
without Center
Polarization Key,
without Locking
Ramp, Lead-Free
2.00mm Pitch, Milli- 511101251
Grid Receptacle
Housing, 12
Circuits, with Center
Polarization Key,
without Locking
Ramp, Lead-Free
2.00mm Pitch, Milli- 511101256
Grid Receptacle
Housing, 12 Circuits,
with Center Locking
Ramp and Side
Polarization Keys,
Lead-Free
2.00mm Pitch, Milli- 511101260
Grid Receptacle
Housing, 12 Circuits,
without Center
Polarization Key,
with Locking Ramp,
Lead-Free
2.00mm Pitch, Milli- 511101261
Grid Receptacle
Housing, 12 Circuits,
without Center
Polarization Key,
with Locking Ramp,
Void Pin Location:
10, Lead-Free
2.00mm Pitch, Milli- 511101450
Grid Receptacle
Housing, 14 Circuits,
without Center
Polarization Key,
without Locking
Ramp, Lead-Free
2.00mm Pitch, Milli- 511101451
Grid Receptacle
Housing, 14
Circuits, with Center
Polarization Key,
with Locking Ramp,
Lead-Free
2.00mm Pitch, Milli- 511101650
Grid Receptacle
Housing, 16 Circuits,
without Center
Polarization Key,

without Locking
Ramp, Lead-Free
2.00mm Pitch, Milli- 511101651
Grid Receptacle
Housing, 16
Circuits, with Center
Polarization Key,
with Locking Ramp,
Lead-Free
2.00mm Pitch, Milli- 511101850
Grid Receptacle
Housing, 18 Circuits,
without Center
Polarization Key,
without Locking
Ramp, Lead-Free
2.00mm Pitch, Milli- 511101851
Grid Receptacle
Housing, 18
Circuits, with Center
Polarization Key,
with Locking Ramp,
Lead-Free
2.00mm Pitch, Milli- 511102050
Grid Receptacle
Housing, 20 Circuits,
without Center
Polarization Key,
without Locking
Ramp, Lead-Free
2.00mm Pitch, Milli- 511102051
Grid Receptacle
Housing, 20
Circuits, with Center
Polarization Key,
with Locking Ramp,
Lead-Free
2.00mm Pitch, Milli- 511102250
Grid Receptacle
Housing, 22 Circuits,
without Center
Polarization Key,
without Locking
Ramp, Lead-Free
2.00mm Pitch, Milli- 511102251
Grid Receptacle
Housing, 22
Circuits, with Center
Polarization Key,
with Locking Ramp,
Lead-Free
2.00mm Pitch, Milli- 511102450
Grid Receptacle
Housing, 24 Circuits,
without Center
Polarization Key,
without Locking
Ramp, Lead-Free
2.00mm Pitch, Milli- 511102451
Grid Receptacle
Housing, 24
Circuits, with Center
Polarization Key,
with Locking Ramp,
Lead-Free

2.00mm Pitch, Milli- [511102650](#)
Grid Receptacle
Housing, 26 Circuits,
without Center
Polarization Key,
without Locking
Ramp, Lead-Free

2.00mm Pitch, Milli- [511102651](#)
Grid Receptacle
Housing, 26
Circuits, with Center
Polarization Key,
with Locking Ramp,
Lead-Free

2.00mm Pitch, Milli- [511102851](#)
Grid Receptacle
Housing, 28
Circuits, with Center
Polarization Key,
with Locking Ramp,
Lead-Free

2.00mm Pitch, Milli- [511103050](#)
Grid Receptacle
Housing, 30 Circuits,
without Center
Polarization Key,
without Locking
Ramp, Lead-Free

2.00mm Pitch, Milli- [511103051](#)
Grid Receptacle
Housing, 30
Circuits, with Center
Polarization Key,
with Locking Ramp,
Lead-Free

2.00mm Pitch, Milli- [511103251](#)
Grid Receptacle
Housing, 32
Circuits, with Center
Polarization Key,
with Locking Ramp,
Lead-Free

This document was generated on 11/02/2021

PLEASE CHECK WWW.MOLEX.COM FOR LATEST PART INFORMATION

X-ON Electronics

Largest Supplier of Electrical and Electronic Components

Click to view similar products for [Bench Top Tools](#) category:

Click to view products by [Molex](#) manufacturer:

Other Similar products are found below :

[0027](#) [6-1372442-6](#) [63801-4462](#) [63801-4561](#) [63801-7269](#) [679527-1](#) [691667-1](#) [7-21000-9](#) [768539-1](#) [854130-1](#) [854946-2](#) [856203-1](#) [904449-1](#)
[9-22280-9](#) [986096-2](#) [992438-3](#) [1-21000-3](#) [1-21000-1](#) [1-25022-4](#) [1302263353](#) [1302263355](#) [1302261057](#) [1302261101](#) [1302261206](#)
[1302261560](#) [1302263123](#) [1302264036](#) [1424264-1](#) [1424267-1](#) [1428211-1](#) [1428287-1](#) [1-455755-6](#) [1752744-1](#) [18023-9](#) [189763-1](#) [1901726-1](#)
[2079747-1](#) [21001-2](#) [2119083-1](#) [2119085-1](#) [2119371-1](#) [2161930-1](#) [2217088-2](#) [2217339-1](#) [2217347-1](#) [22281-9](#) [22374-7](#) [284565-000](#) [F1](#)
[Handle Spring](#) [19228-0213](#)