

PLEASE CHECK WWW.MOLEX.COM FOR LATEST PART INFORMATION

Part Number: [0638130400](#)
Status: **Active**
Overview: [Application Tooling](#)
Description: Extraction Tool for Mini-Fit Sr. Terminals, 8-16 AWG

Documents:

[RoHS Certificate of Compliance \(PDF\)](#)

General

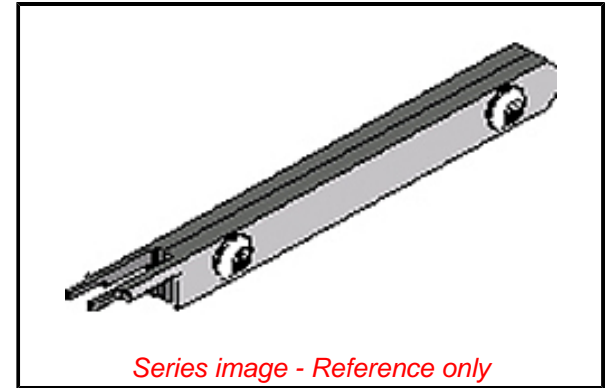
Product Family	Application Tooling
Series	207121
Function	Extraction
Geographic Area	Global
Level of Automation	Manual
More Detailed Tech Information	applicationtooling@molex.com
Overview	Application Tooling
Product Name	N/A
Tool Type	Extraction Hand Tool
UPC	800754250412
Warranty Disclaimer	CAUTION: Molex tooling crimp specifications are valid only when used with Molex terminals and tooling manufactured by Molex and sold by Molex or authorized distributors ("Molex Tooling"). When using tooling other than Molex Tooling with Molex specific connector systems listed in our ATS documents, the Molex tooling qualification does not apply and the responsibility for full qualification of the connector system is that of the customer. Molex accepts no liability for connector performance or tooling support where tooling other than Molex Tooling is used or where Molex Tooling is modified.

Material Info

Reference - Drawing Numbers

Application Tooling Documents

ATS-638130400-001, TM-638000029-001, TM-638000029CN-001, TM-638000029DE-001, TM-638000029FR-001, TM-638000029IT-001, TM-638000029JP-001, TM-638000029KR-001, TM-638000029MY-001, TM-638000029PL-001, TM-638000029RU-001, TM-638000029SK-001, TM-638000029SP-001, TM-638000029TH-001, TM-638000029TW-001, TM-638000029VN-001



Series image - Reference only

EU ELV

Not Relevant

EU RoHS

Not Reviewed

REACH SVHC

Not Reviewed

Halogen-Free

Status

Not Relevant

For more information, please visit [Contact US](#)

China ROHS

Not Relevant

ELV

Not Relevant

RoHS Phthalates

Not Reviewed

Search Parts in this Series

[207121 Series](#)

Application Tooling | **FAQ**

Description	Product #
Mini-Fit Sr. Crimp Terminal, Female, 10-12 AWG, Gold (Au)	428150012
Mini-Fit Sr. Crimp Terminal, Female, 8 AWG, Gold (Au)	428150032
Mini-Fit Sr. Crimp Terminal, Female, 14-16 AWG, Gold (Au)	428150042
Mini-Fit Sr. Crimp Terminal, Female, 10-12 AWG, Silver (Ag)	428150114
Mini-Fit Sr. Crimp Terminal, Female, 8 AWG, Silver (Ag)	428150134
Mini-Fit Sr. Crimp Terminal, Female, 14-16 AWG, Silver (Ag)	428150144

Mini-Fit Sr. Crimp Terminal, Male, 10-12 AWG, Gold (Au)	<u>428170012</u>
Mini-Fit Sr. Crimp Terminal, Male, 8 AWG, Gold (Au)	<u>428170032</u>
Mini-Fit Sr. Crimp Terminal, Male, 14-16 AWG, Gold (Au)	<u>428170042</u>
Mini-Fit Sr. Crimp Terminal, Male, 10-12 AWG, Gold (Au)	<u>428170112</u>
Mini-Fit Sr. Crimp Terminal, Male, 8 AWG, Gold (Au)	<u>428170132</u>
Mini-Fit Sr. Crimp Terminal, Male, 14-16 AWG, Tin (Sn)	<u>428170141</u>
Mini-Fit Sr. Crimp Terminal, Male, 14-16 AWG, Gold (Au)	<u>428170142</u>
Mini-Fit Sr. Crimp Terminal, Male, 10-12 AWG, Silver (Ag)	<u>428171014</u>
Mini-Fit Sr. Crimp Terminal, Male, 8 AWG, Silver (Ag)	<u>428171034</u>
Mini-Fit Sr. Crimp Terminal, Male, 14-16 AWG, Silver (Ag)	<u>428171044</u>
Mini-Fit Sr. Crimp Terminal, Male, 10-12 AWG, Silver (Ag)	<u>428171114</u>
Mini-Fit Sr. Crimp Terminal, Male, 8 AWG, Silver (Ag)	<u>428171134</u>
Mini-Fit Sr. Crimp Terminal, Male, 14-16 AWG, Silver (Ag)	<u>428171144</u>

This document was generated on 12/10/2021

PLEASE CHECK WWW.MOLEX.COM FOR LATEST PART INFORMATION

X-ON Electronics

Largest Supplier of Electrical and Electronic Components

Click to view similar products for [Extraction, Removal & Insertion Tools](#) category:

Click to view products by [Molex](#) manufacturer:

Other Similar products are found below :

[Molex](#)