

PLEASE CHECK WWW.MOLEX.COM FOR LATEST PART INFORMATION

Part Number: [0639118800](#)
Status: **Active**
Overview: [Application Tooling](#)
Description: T2 Terminator for insulation OD 1.10-1.30mm - 20-24 AWG

Documents:
[RoHS Certificate of Compliance \(PDF\)](#)

General

Product Family	Application Tooling
Series	207122
Comments	See Tooling Specification (PDF) Above
Function	Crimp
Geographic Area	Global
Level of Automation	Automatic, Semi-Automatic
More Detailed Tech Information	applicationtooling@molex.com
Overview	Application Tooling
Product Name	T2
Tool Type	Terminator Die
UPC	884982220591
Warranty Disclaimer	CAUTION: Molex tooling crimp specifications are valid only when used with Molex terminals and tooling manufactured by Molex and sold by Molex or authorized distributors ("Molex Tooling"). When using tooling other than Molex Tooling with Molex specific connector systems listed in our ATS documents, the Molex tooling qualification does not apply and the responsibility for full qualification of the connector system is that of the customer. Molex accepts no liability for connector performance or tooling support where tooling other than Molex Tooling is used or where Molex Tooling is modified.

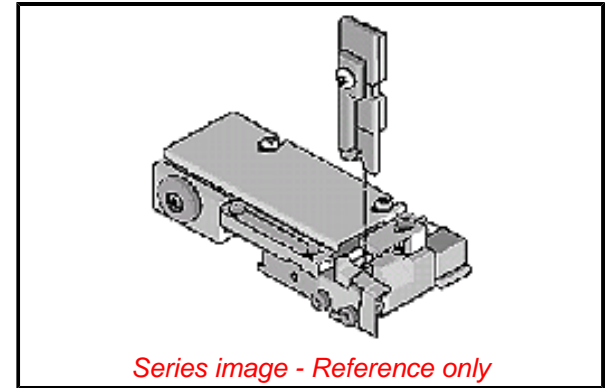
Physical

Net Weight 885.483/g

Material Info

Reference - Drawing Numbers

Application Tooling Documents
ATS-639118800-001, TM-638000029-001, TM-638000029CN-001, TM-638000029DE-001, TM-638000029FR-001, TM-638000029IT-001, TM-638000029JP-001, TM-638000029KR-001, TM-638000029MY-001, TM-638000029PL-001, TM-638000029RU-001, TM-638000029SK-001, TM-638000029SP-001, TM-638000029TH-001, TM-638000029TW-001, TM-638000029VN-001, TM-638500090-001, TM-638500090SP-001



EU ELV

Not Relevant

EU RoHS

Not Reviewed

REACH SVHC

Not Reviewed

Halogen-Free

Status

Not Relevant

For more information, please visit [Contact US](#)

China ROHS

Not Relevant

ELV

Not Relevant

RoHS Phthalates

Not Reviewed

Search Parts in this Series

[207122 Series](#)

Use With

Molex TM-42 Press [690025001](#) and Base Unit [11193001](#) for the 3BF Press

Application Tooling | FAQ

Description	Product #
--------------------	------------------

Micro-Fit 3.0 Crimp Terminal, Female, with Tin (Sn) Plated Phosphor Bronze Contact, 20-24 AWG, Reel	430300001
---	---------------------------

Micro-Fit 3.0 Crimp Terminal, Female, with Select Gold (Au) Plated Phosphor Bronze Contact, 20-24 AWG, Reel	430300002
---	---------------------------

Micro-Fit 3.0 Crimp Terminal, Female, with Select Gold (Au) Plated Phosphor Bronze Contact, 20-24 AWG, Reel	430300003
---	---------------------------

Micro-Fit 3.0 Crimp [430310001](#)
Terminal, Male,
with Tin (Sn) Plated
Phosphor Bronze
Contact, 20-24 AWG,
Reel

Micro-Fit 3.0 Crimp [430310002](#)
Terminal, Male,
with 0.38µm Select
Gold (Au) Plated
Phosphor Bronze
Contact, 20-24 AWG,
Reel

Micro-Fit 3.0 Crimp [430310003](#)
Terminal, Male,
with 0.76µm Select
Gold (Au) Plated
Phosphor Bronze
Contact, 20-24 AWG,
Reel

Micro-Fit TPA Crimp [430315003](#)
Terminal, Male, with
Tin (Sn) Pre-plated
Phosphor Bronze
Contact, 20-24 AWG,
Reel

Micro-Fit 3.0 Crimp [457730001](#)
Terminal, Female,
with Lubricant, with
Tin (Sn) Plated
Phosphor Bronze
Contact, 20-24 AWG,
Reel

Micro-Fit 3.0 Crimp [457730003](#)
Terminal, Female,
with Lubricant, with
Gold (Au) Plated
Phosphor Bronze
Contact, 20-24 AWG,
Reel

Micro-Fit 3.0 Crimp [457730053](#)
Terminal, Female,
with Lubricant, with
Gold (Au) Plated
Phosphor Bronze
Contact, 20-24 AWG,
Reel

This document was generated on 11/02/2021

PLEASE CHECK WWW.MOLEX.COM FOR LATEST PART INFORMATION

X-ON Electronics

Largest Supplier of Electrical and Electronic Components

Click to view similar products for [Hand Tools](#) category:

Click to view products by [Molex](#) manufacturer:

Other Similar products are found below :

[58284-1](#) [662908-1](#) [68764-0001](#) [690619-6](#) [7-354778-7](#) [768531-1](#) [821903-5](#) [822253-1](#) [854183-1](#) [854358-1](#) [992258-1](#) [1-21046-3](#) [1-22145-3](#)
[1-22278-2](#) [1-24954-2](#) [125529-5](#) [126513-1](#) [1320846-1](#) [1338618-1](#) [1338968-2](#) [1-354779-0](#) [1-354779-2](#) [1-354779-4](#) [1424443-1](#) [1424266-1](#)
[1424289-1](#) [1424444-1](#) [MS24256A16](#) [1-525442-0](#) [1532195-2](#) [1538773-2](#) [1-59681-8](#) [1-59907-5](#) [1-692134-3](#) [1725760-1](#) [HT-920A-124-](#)
[HTELE-RPL-KIT](#) [1976923-1](#) [1976969-1](#) [2063794-1](#) [2063795-1](#) [2-21002-1](#) [2-21002-3](#) [2-21002-4](#) [2-21002-7](#) [2-21002-9](#) [2-21004-0](#) [229399-](#)
[2](#) [229707-1](#) [911737-2](#) [2598-5027-54](#)