

MOLEX PART NUMBER	COLOR	TYPE	ALLOWED WIRE DIAMETER	WEIGHT (g)	ØA	ØB
0643251366	BLUE	2	3.40/4.20	0.137	2.55/2.70	2.80/2.95
0643251358	GREY	2	2.65/3.50	0.158	2.00/2.15	2.20/2.35
0643251345	GREEN	1	2.00/2.80	0.168	1.40/1.70	2.25/2.55
0643251332	RED	3	1.30/2.15	0.190	0.70/1.00	-

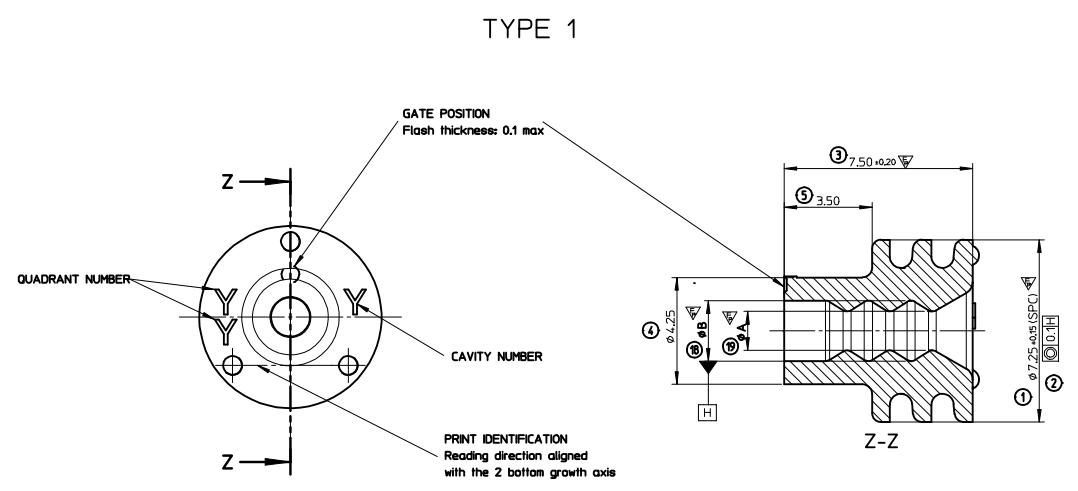
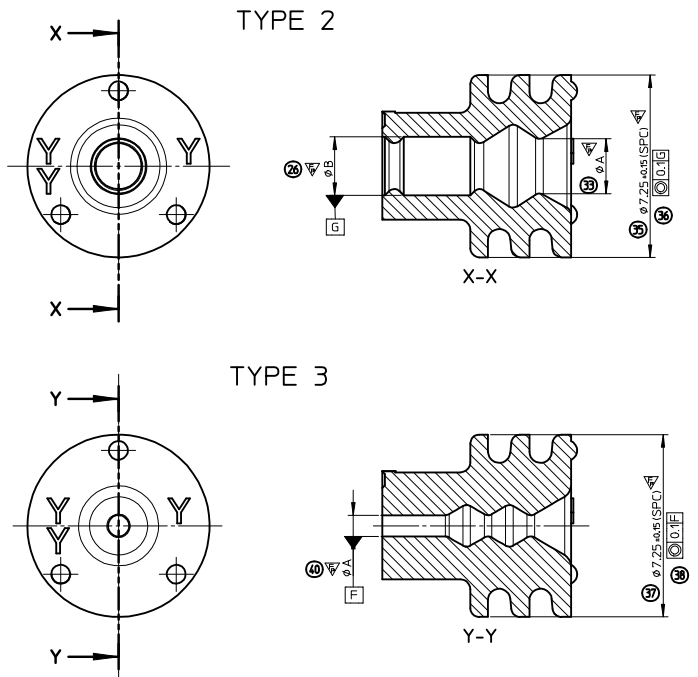
(SPC): DENOTE SPC DIMENSION (3)

QUALITY SYMBOL COUNT	
PERFORMANCE	▽ = 10
ASSEMBLY	▽ = 0
CUSTOMER	▽ = 0

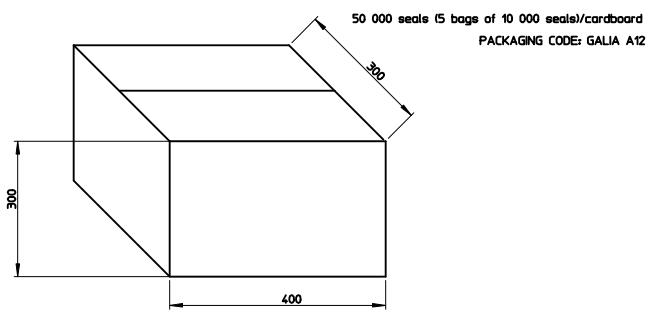
▽ MATERIAL SPECIFICATION : Silicon elastomer type LSR self bleeding (2% approx)

Flash max 0.1. No cut, no short shots.
no tear, no distortion on seal lips allowed.

UPDATE TYPE 2	REV	DESCRIPTION	GENERAL TOLERANCES (UNLESS SPECIFIED)		DIMENSION STYLE		SCALE	DESIGN UNITS	FIRST ANGLE PROJECTION	
			mm	INCH	MM ONLY	INCH				
1			4 PLACES	± 0.1	± 0.004	MM ONLY	10:1	METRIC	☐	
2			3 PLACES	± 0.1	± 0.004	MM ONLY	10:1	METRIC	☐	
3			2 PLACES	± 0.1	± 0.004	MM ONLY	10:1	METRIC	☐	
4			1 PLACE	± 0.1	± 0.004	MM ONLY	10:1	METRIC	☐	
5			0 PLACE	± 0.1	± 0.004	MM ONLY	10:1	METRIC	☐	
DRAWN BY: JDUCLIOS			DATE: 2010/04/07		CHECKED BY: CBOUCHAN		DATE: 2010/04/07		APPROVED BY: BMOSE	
DATE: 2012/09/27			DATE: 2012/09/28		DATE: 2012/10/26		DATE: 2010/05/04		DATE: 2010/05/04	
MATERIAL NO.			SEE CHART		DOCUMENT NO.		SD-64325-006		SHEET NO. 1 OF 1	
DRAFT WHERE APPLICABLE MUST REMAIN WITHIN DIMENSIONS										
THIS DRAWING CONTAINS INFORMATION THAT IS PROPRIETARY TO MOLEX INCORPORATED AND SHOULD NOT BE USED WITHOUT WRITTEN PERMISSION										



BULK PACKAGING



MOLEX PART NUMBER	COLOR	TYPE	ALLOWED WIRE DIAMETER	WEIGHT (g)	ØA	ØB
0643251366	BLUE	2	3.40/4.20	0.137	2.55/2.70	2.80/2.95
0643251358	GREY	2	2.65/3.50	0.158	2.00/2.15	2.20/2.35
0643251345	GREEN	1	2.00/2.80	0.168	1.40/1.70	2.25/2.55
0643251332	RED	3	1.30/2.15	0.190	0.70/1.00	-

SPC: DENOTE SPC DIMENSION (3)

QUALITY SYMBOL COUNT	
PERFORMANCE	▽ - 10
ASSEMBLY	▽ - 0
CUSTOMER	▽ - 0

▽ MATERIAL SPECIFICATION : Silicon elastomer type LSR self bleeding (2% approx)

Flash max 0.1. No cut, no short shots, no tear, no distortion on seal lips allowed.

UPDATE TYPE 2 EEC NO: G2013-0087 D DRYNOVERHERE 2012/09/27 CHYKJ.DUCLOS 2012/09/28 APPROPLESSIS 2012/10/26 REV DESCRIPTION	GENERAL TOLERANCES (UNLESS SPECIFIED) mm INCH		DIMENSION STYLE MM ONLY		SCALE 10:1	DESIGN UNITS METRIC	FIRST ANGLE PROJECTION
	4 PLACES ± --- ± ---		DRAWN BY	DATE	TITLE		
	3 PLACES ± --- ± ---		JDUCLOS	2010/04/07	SGL WIRE SEALS 2.8 W/O RIB		
	2 PLACES ± 0.1 ± ---		CHECKED BY	DATE	molex		
1 PLACE ± 0.1 ± ---		CBOUCHAN	2010/04/07	APPROVED BY		DOCUMENT NO.	SHEET NO.
0 PLACE ± 0.1 ± ---		BMOSE	2010/05/04	DATE		SD-64325-006	1 OF 1
ANGULAR ±1/2° DRAFT WHERE APPLICABLE MUST REMAIN WITHIN DIMENSIONS		SEE CHART		THIS DRAWING CONTAINS INFORMATION THAT IS PROPRIETARY TO MOLEX INCORPORATED AND SHOULD NOT BE USED WITHOUT WRITTEN PERMISSION			

X-ON Electronics

Largest Supplier of Electrical and Electronic Components

Click to view similar products for [Automotive Connectors](#) category:

Click to view products by [Molex](#) manufacturer:

Other Similar products are found below :

[003-018-000](#) [60993906-B](#) [72.330.1035.1](#) [F358300-B](#) [F407400](#) [776880-1](#) [827153-1](#) [8N1515-32-24P](#) [9-1326729-8](#) [925474-1](#) [928905-1](#)
[964562-4](#) [968782-1](#) [98891-1012](#) [12004475-L](#) [12041318-B](#) [12052466](#) [12015909](#) [1-21030-1](#) [12041318](#) [12047957](#) [12185550](#) [12336-12](#)
[12147304](#) [13681974](#) [13783086](#) [13832576](#) [13542772](#) [13675513](#) [13964573](#) [1428188-1](#) [1437287-3](#) [1438231-5](#) [1428188-2](#) [DS07-19S-5020](#)
[1456983-5](#) [1456987-7](#) [APD-7CP-H](#) [APK-SB25A10L](#) [1452931-2](#) [15491972](#) [15305306](#) [15396680](#) [15425613](#) [15518544](#) [15522351](#) [1719636-](#)
[1](#) [172190-2](#) [172190-5](#) [192900-0024](#)