

NOTES:

1.MATERIAL:

HOUSING: THERMAL PLASTIC, GLASS FILLED, UL94V-0, COLOR: BLACK,
 COVER: THERMAL PLASTIC, COLOR : BLACK
 TERMINAL: COPPER ALLOY

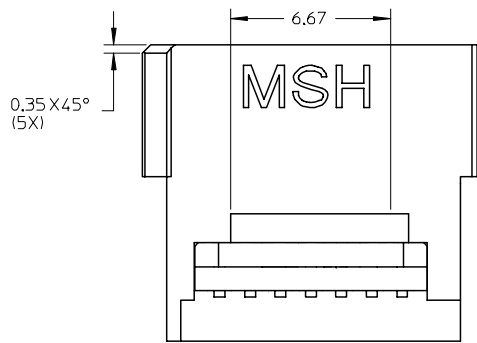
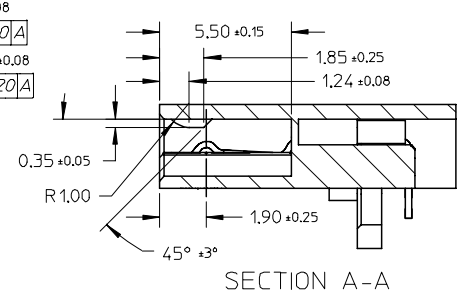
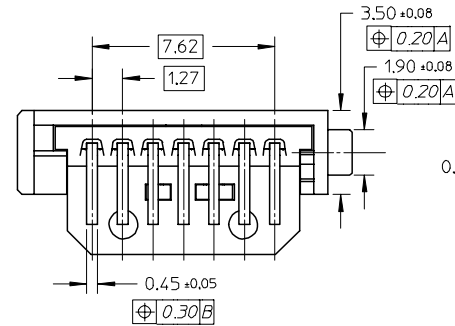
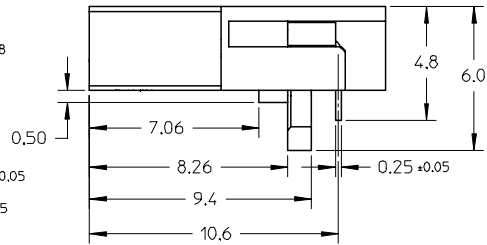
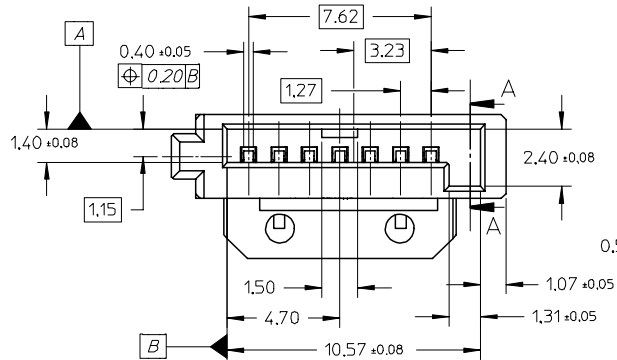
2.TERMINAL :

CONTACT AREA: GOLD PLATED.
 SOLDER TAIL: TIN, THICKNESS=1.27 MICRONS MINIMUM
 UNDER PLATE: NICKEL, THICKNESS=1.27 MICRONS MINIMUM

3.PACKAGING : TRAY

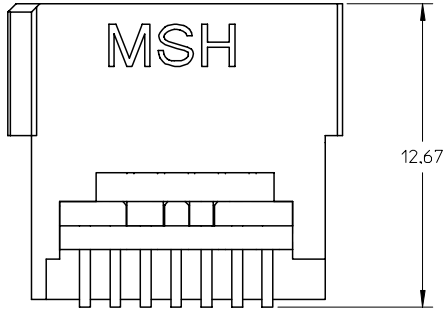
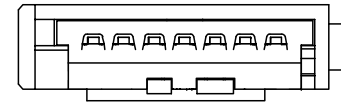
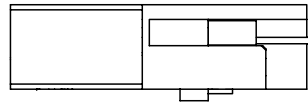
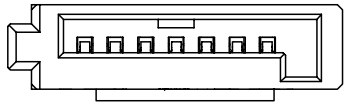
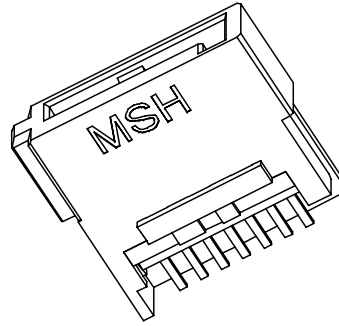
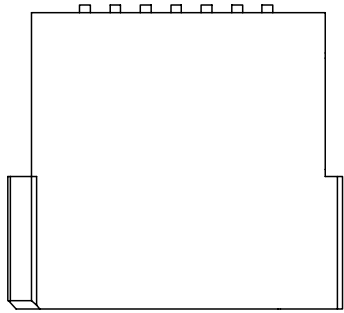
4.PRODUCT SPECIFICATION REFER TO PS-67490-00*

5 MATING PART 67490,67491,67811,47080 SERIES



P/N	PLATING TYPE
67489-1001	GOLD FLASH
67489-1002	GOLD PLATED 0.76 MICRONS
67489-1005	GOLD PLATED 0.38 MICRONS

EC NO: SH2004-0185 DRWN:GRMA 2004/12/28 CHKD:GRATE 2004/12/30 APPR:YTYAP 2004/12/30	QUALITY SYMBOLS ▽ = 0 ▽ = 0	GENERAL TOLERANCES (UNLESS SPECIFIED)		SCALE 5:1	DESIGN UNITS METRIC	THIRD ANGLE PROJECTION	REVISE ON CAD ONLY
		mm	INCH	DIMENSION STYLE MM ONLY			
		4 PLACES	± ---	± ---	DRAWN BY GRATE MA	DATE 2004/03/25	MOLEX INCORPORATED
		3 PLACES	± ---	± ---	CHECKED BY YAJUN	DATE 2004/03/25	
2 PLACES	± 0.2	± ---	APPROVED BY SAM		DATE 2004/03/25	SHEET NO. 1 OF 2	
1 PLACE	± 0.3	± ---	DRAFT WHERE APPLICABLE MUST REMAIN WITHIN DIMENSIONS		THIS DRAWING CONTAINS INFORMATION THAT IS PROPRIETARY TO MOLEX INCORPORATED AND SHOULD NOT BE USED WITHOUT WRITTEN PERMISSION		



THESE ARE ONLY FOR 67489-800*, OTHERS INFORMATION ARE REFERED TO 67489-1001.

P/N	PLATING TYPE
67489-8001	GOLD FLASH
67489-8002	GOLD PLATED 0.76 MICRONS
67489-8005	GOLD PLATED 0.38 MICRONS

EC NO: SH2004-0185 DRWN: GRMA 2004/12/28 CHKD: GRATE 2004/12/30 APPR: YTYAP 2004/12/30	QUALITY SYMBOLS	GENERAL TOLERANCES (UNLESS SPECIFIED)		SCALE 5:1	DESIGN UNITS METRIC	THIRD ANGLE PROJECTION	REVISE ON CAD ONLY	
	DESCRIPTION ▽ = 0 ▽ = 0	4 PLACES	mm	INCH	DIMENSION STYLE MM ONLY		TITLE SERIAL ATA RECEPTACLE SIGNAL CABLE CONNECTOR WITHOUT METAL LATCH	
		3 PLACES	± ---	± ---	DRAWN BY	DATE	MOLEX INCORPORATED	
		2 PLACES	± 0.2	± ---	GRATE MA	2004/03/25	MATERIAL NO. SEE TABLE	
1 PLACE	± 0.3	± ---	CHECKED BY	DATE	YA JUN	2004/03/25	DOCUMENT NO. SD-67489-003	
		ANGULAR ± 1 °		APPROVED BY	DATE		SHEET NO. 2 OF 2	
		DRAFT WHERE APPLICABLE		SAM	2004/03/25			
		MUST REMAIN WITHIN DIMENSIONS		THIS DRAWING CONTAINS INFORMATION THAT IS PROPRIETARY TO MOLEX INCORPORATED AND SHOULD NOT BE USED WITHOUT WRITTEN PERMISSION				

X-ON Electronics

Largest Supplier of Electrical and Electronic Components

Click to view similar products for [I/O Connectors](#) category:

Click to view products by [Molex](#) manufacturer:

Other Similar products are found below :

[571763P](#) [61-168618-12P](#) [72.250.1628.2](#) [72.250.2428.2](#) [74720-0505](#) [76.350.0729.0](#) [76871-1403](#) [MP-5T180MUNNA-005](#) [PCR-E36PM](#) [PCS-XES68MS+](#) [G38A71314B](#) [9776-18-6](#) [1571250010](#) [157-22500-3](#) [MS3471L14-19P L/C](#) [192991-0703](#) [91-644626-35P](#) [SM3100F14S-58S](#)
[172501-6002](#) [FCN-260C008-A/L0](#) [FCN-260C024-AL0](#) [FCN-261Z008](#) [2000314-1](#) [200331-1](#) [PCR-E36FC+](#) [PCS-E28FS+](#) [PCS-XE26SLFD+](#)
[PCS-XE26SLFDT+](#) [G730VID08BDC24](#) [HDMR-29-01-S-SM-TR](#) [HDRA-E68W1LFDTC-SL+](#) [HDR-E14MSG1+](#) [54182-0605](#) [38113800006](#)
[DP3AR020WQ1R200](#) [Z4.102.0680.0](#) [500-1040](#) [500-1052](#) [500-1054](#) [ZP-4008-66L](#) [10-584459-12P](#) [SM3106F14S-7S-LC](#) [SM3106R18-18S](#)
[U90B3054061110](#) [U65-E04-4020](#) [ZPF000000000097891](#) [557-262M2-06C](#) [60-042222-02S](#) [10099439-003C-TRLF](#) [226-0348-000](#)