

NOTES:

1.MATERIAL :

- HOUSING: THERMAL PLASTIC, GLASS FILLED, UL94V-0, COLOR: BLACK.
- COVER: THERMAL PLASTIC, COLOR : BLACK.
- TERMINAL: COPPER ALLOY.
- METAL LATCH: STAINLESS STEEL

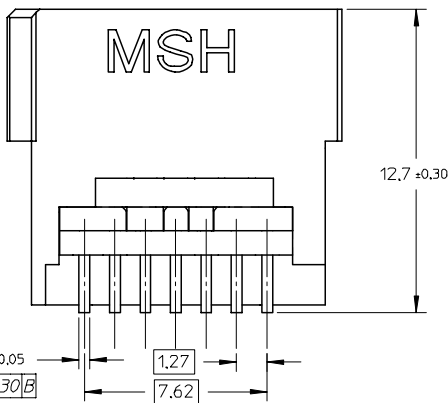
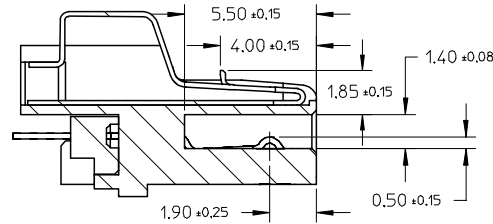
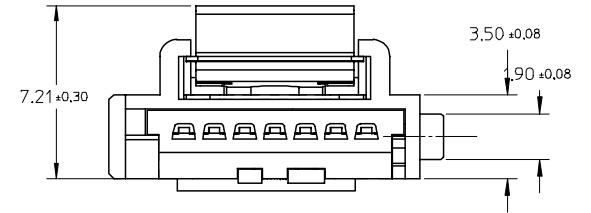
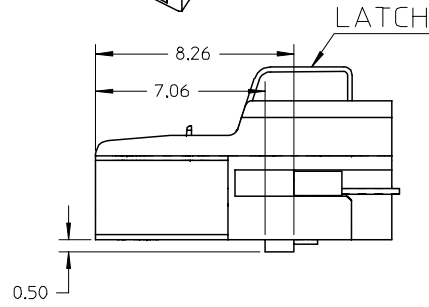
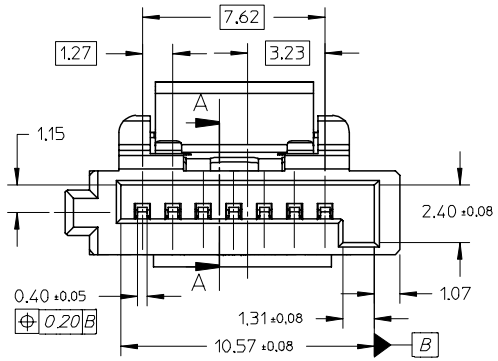
2.TERMINAL PLATING :

- CONTACT AREA: GOLD PLATED,
- SOLDER TAIL:TIN, THICKNESS=1.27 MICRNS MINIMUM
- UNDER PLATE:NICKEL, THICKNESS=1.27 MICRONS MINIMUM

3.PACKAGING : TRAY

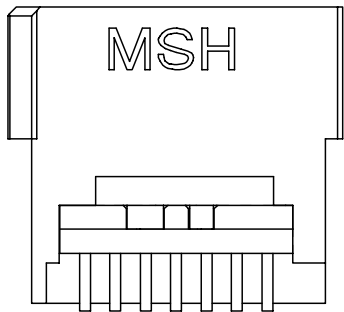
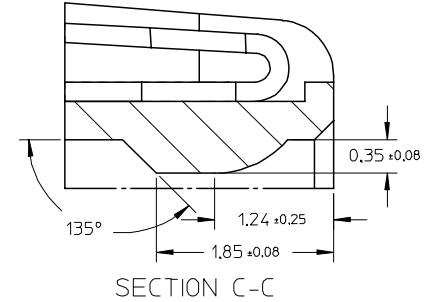
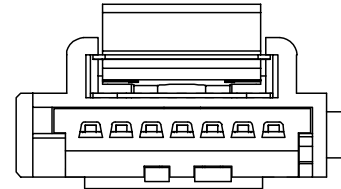
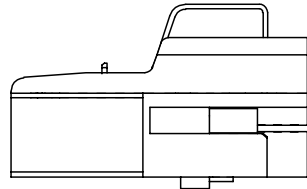
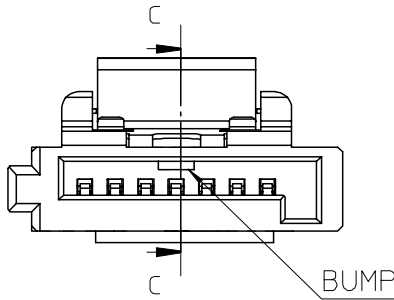
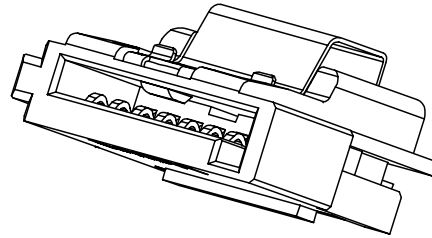
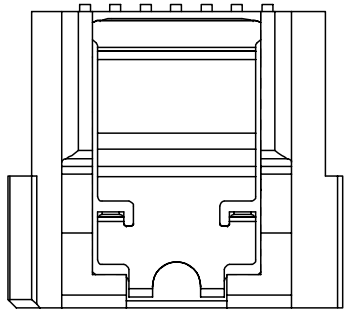
4.PRODUCT SPECIFICATION REFER TO PS-67490-00\*

5 MATING PART 67800, 47080 SERIES



P/N	PLATING TYPE	REMARK
67489-9001	GOLD FLASH	METAL LATCH
67489-9002	GOLDP LATED 0.76 MICRONS	NONE BUMP
67489-9005	GOLD PLATED 0.38 MICRONS	TYPE ONLY

EC NO: SH2004-0185 DRWN:GRMA 2004/12/28 CHKD:GRATE 2004/12/30 APPR:YTYAP 2004/12/30	QUALITY SYMBOLS ▽ = 0 ▽ = 0	GENERAL TOLERANCES (UNLESS SPECIFIED)		SCALE 5:1	DESIGN UNITS METRIC	THIRD ANGLE PROJECTION	REVISE ON CAD ONLY
		mm	INCH				
		DIMENSION STYLE MM ONLY					
		DRAFT WHERE APPLICABLE MUST REMAIN WITHIN DIMENSIONS					
DESCRIPTION SERIAL ATA RECEPTACLE CABLE END CONNECTOR STRAIGHT TYPE	4 PLACES ± --- ± --- 3 PLACES ± --- ± --- 2 PLACES ± 0.2 ± --- 1 PLACE ± 0.25 ± --- ANGULAR ± 1 °		DRAWN BY DATE GRATE MA 2004/03/25		TITLE SERIAL ATA RECEPTACLE CABLE END CONNECTOR STRAIGHT TYPE		
	APPROVED BY DATE SAM 2004/03/25		CHECKED BY DATE YAJUN 2004/03/25		MATERIAL NO. DOCUMENT NO. SHEET NO. SEE TABLE SD-67489-002 1 OF 2		
THIS DRAWING CONTAINS INFORMATION THAT IS PROPRIETARY TO MOLEX INCORPORATED AND SHOULD NOT BE USED WITHOUT WRITTEN PERMISSION							



P/N	PLATING TYPE	REMARK
67489-7001	GOLD FLASH	BOTH METAL LATCH
67489-7002	GOLD PLATED 0.76 MICRONS	AND BUMP TYPE
67489-7005	GOLD PLATED 0.38 MICRONS	

EC NO: SH2004-0185	DRWN: GRMA 2004/12/28	CHKD: GRATE 2004/12/30	APPR: YTYAP 2004/12/30
REV	DESCRIPTION		

QUALITY SYMBOLS	GENERAL TOLERANCES (UNLESS SPECIFIED)	
	mm	INCH
▽ = 0	4 PLACES ± .005	± .005
	3 PLACES ± .008	± .008
	2 PLACES ± 0.2	± .008
	1 PLACE ± 0.25	± .008
▽C = 0	ANGULAR ± 1°	
	DRAFT WHERE APPLICABLE	
	MUST REMAIN WITHIN DIMENSIONS	

SCALE 5:1	DESIGN UNITS METRIC
DIMENSION STYLE MM ONLY	
DRAWN BY GRATE MA	DATE 2004/03/25
CHECKED BY YAJUN	DATE 2004/03/25
APPROVED BY SAM	DATE 2004/03/25

THIRD ANGLE PROJECTION	REVISE ON CAD ONLY
TITLE SERIAL ATA RECEPTACLE CABLE END CONNECTOR STRAIGHT TYPE	
MOLEX INCORPORATED	
MATERIAL NO. SEE TABLE	DOCUMENT NO. SD-67489-002
SHEET NO. 2 OF 2	
THIS DRAWING CONTAINS INFORMATION THAT IS PROPRIETARY TO MOLEX INCORPORATED AND SHOULD NOT BE USED WITHOUT WRITTEN PERMISSION	

## X-ON Electronics

Largest Supplier of Electrical and Electronic Components

*Click to view similar products for [I/O Connectors](#) category:*

*Click to view products by [Molex](#) manufacturer:*

Other Similar products are found below :

[571763P](#) [58098-0628](#) [72.250.1628.2](#) [72.250.2428.2](#) [74720-0505](#) [76.350.0729.0](#) [76871-1403](#) [FCN-244F080-G/1](#) [FCN-260A9920](#) [PCR-E36PM](#) [PCS-XE26MA+](#) [G38A71314B](#) [1571250010](#) [157-22500-3](#) [MS3471L14-19P L/C](#) [192991-0703](#) [172501-4002](#) [172501-6002](#) [FCN-260C008-A/L0](#) [FCN-260C024-AL0](#) [FCN-261Z008](#) [2000314-1](#) [200331-1](#) [PCR-E36FC+](#) [PCS-E28FS+](#) [PCS-XE26SLFD+](#) [PCS-XE26SLFDT+](#) [G730VID08BDC24](#) [U90B2054081210](#) [38113800006](#) [DP3AR020WQ1R200](#) [Z4.102.0680.0](#) [500-1040](#) [500-1052](#) [500-1054](#) [ZP-4008-66L](#) [0709821002](#) [DX40-20P\(55\)](#) [5554841-1](#) [MS3474W18-8P-LC\\*](#) [U90B3054061110](#) [U65-E04-4020](#) [ZPF000000000097891](#) [747360449](#) [10099439-003C-TRLF](#) [10137239-0021LF](#) [E9320-001-01](#) [10137239-0011LF](#) [70289-001LF](#) [70.060.1028.0](#)