

PLEASE CHECK WWW.MOLEX.COM FOR LATEST PART INFORMATION

Part Number: [0685610019](#)
Status: **Active**
Overview: Serial ATA Connectors and Cable Assemblies
Description: 1.27mm Pitch Serial ATA IDT Power Latching Adapter Cable Assembly, 0.152m Length, 0.76µm Gold (Au), 5V+12V, Lead-Free

Documents:

[Drawing \(PDF\)](#) [RoHS Certificate of Compliance \(PDF\)](#)

General

Product Family	Cable Assemblies
Series	68587
Application	Power
Assembly Configuration	Dual Ended Connectors
Connector to Connector	Serial ATA-to-Serial ATA
Overview	Serial ATA Connectors and Cable Assemblies
Product Name	Serial ATA
UPC	822348496624

Physical

Cable Length	0.152m
Circuits (Loaded)	15
Gender	Male-Female
Lock to Mating Part	Yes
Material - Metal	Stainless Steel
Material - Plating Mating	Gold
Material - Plating Termination	Tin
Net Weight	15.120/g
Packaging Type	Bag
Pitch - Mating Interface	1.27mm
Plating min - Mating	0.762µm
Plating min - Termination	1.905µm
Single Ended	No
Termination Interface: Style	IDT or Pierce
Wire Insulation Diameter	N/A
Wire Size AWG	18
Wire/Cable Type	PVC

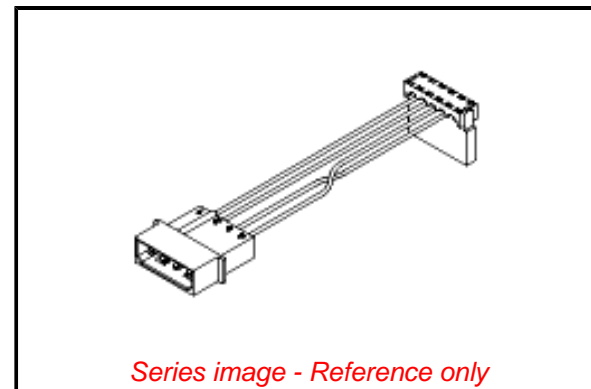
Electrical

Current - Maximum per Contact	1.5A
Impedance	100Ω
Shielded	No
Voltage - Maximum	40V

Material Info

Reference - Drawing Numbers

Sales Drawing	SD-68561-003
---------------	--------------



EU ELV

Compliant

EU RoHS

Compliant

REACH SVHC

Not Contained Per
-ED/01/2018 (15
January 2018)

Halogen-Free

Status

Not Low-Halogen

For more information, please visit [Contact US](#)

China ROHS

ELV

RoHS Phthalates

China RoHS

Green Image

Compliant

Not Contained

Search Parts in this Series

[68587 Series](#)

X-ON Electronics

Largest Supplier of Electrical and Electronic Components

Click to view similar products for [Computer Cables](#) category:

Click to view products by [Molex](#) manufacturer:

Other Similar products are found below :

[68809-0004](#) [8F36-AAA105-1.00](#) [IB63](#) [CB-716EB-RS](#) [CB-716P8P9-RS](#) [CBK-11-290K-00](#) [ACL-10550](#) [ACL-10568-2](#) [ACL-10568-5](#)
[427522400-3](#) [32102-021500-200-RS](#) [426091300-3](#) [48000023](#) [10114976-P015002LF](#) [88761-6101](#) [NT631C-CN321-EU](#) [ACL-10568NF-1](#)
[MIKROE-2092](#) [PCL-101100R-2E](#) [1700009405](#) [PS/2 Cable](#) [NT31C-CN323-EU](#) [FWAX-PK1-51](#) [PCL-10168H-1E](#) [68801-1905](#) [111068-1015](#)
[100436-1107](#) [68801-0630](#) [68801-3612](#) [68801-3618](#) [205058-1002](#) [PS2NK](#) [SATA cable](#) [96021-0000-00-0](#) [FAK-SMZSMZ 5M](#) [FAK-](#)
[SMZSMZ-3M](#) [ACC-500-200-R](#) [iW-C40-PCIe08-C1](#) [1700001531](#) [96048-0000-00-0](#) [SATA III cable 30cm, down/straight](#) [cab-Pico-ITX-](#)
[LVDS](#) [PCL-101100SB-2E](#) [AXXSTCBLQAT](#) [NT31C-KBA05](#) [PCL-101100M-2E](#) [A2U4PSWCXCXK1](#) [2 port SATA to 5 pin,L=200mm](#)
[ACL-10568NF-2](#) [C-PS2WG/5](#)