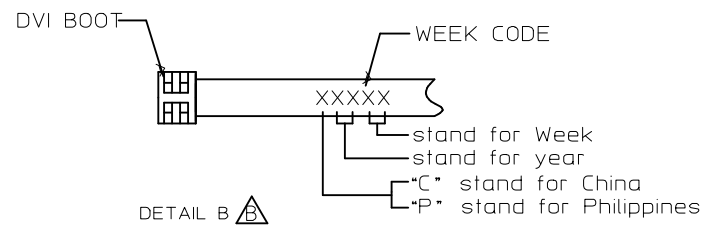
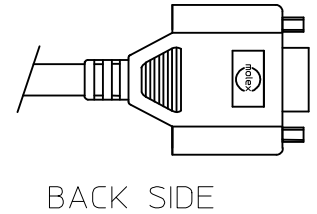
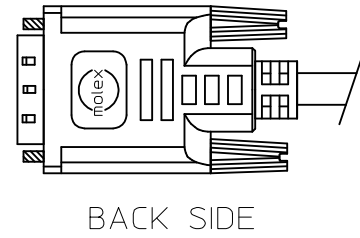
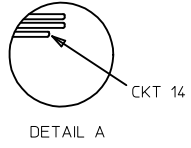
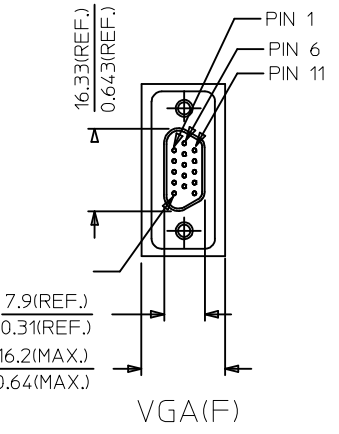
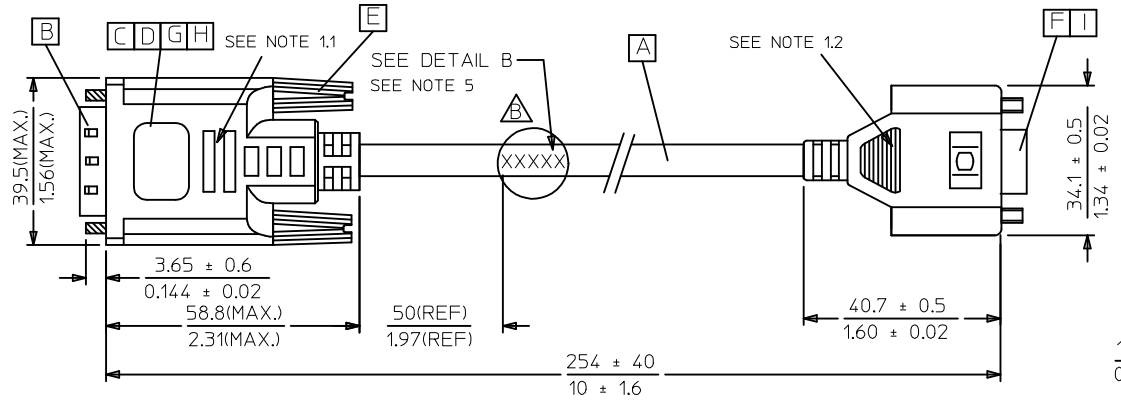
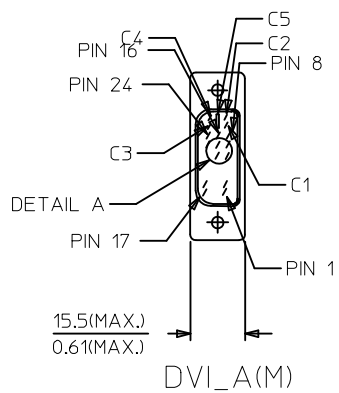


REVISIONS				
EC NO	DATE	REV	DESCRIPTION	CHANGER
CY14-5154	2013/08/31	B	CHANGE THE LABELING CONTENT FOR PRODUCTS TRANSFER TO PHILIPPINES	AHOU



ENTER DESCRIPTION EC NO: CPG2014-0706 DRWN: XJGU001 CHKD: AHOU APPR: XAWANG	QUALITY SYMBOLS F _A = 0 F _T = 0 F _P = 0	GENERAL TOLERANCES (UNLESS SPECIFIED)		DIMENSION STYLE MM/IN		SCALE	DESIGN UNITS METRIC	THIRD ANGLE PROJECTION		
			mm	INCH	DRAWN BY XJGU001	DATE 2013/09/07	TITLE	DVI-A(M) TO VGA(F) CABLE ASS'Y 10IN		
		4 PLACES	± ---	± ---	CHECKED BY PDAI	DATE 2013/09/07				
		3 PLACES	± ---	± ---	APPROVED BY XAWANG	DATE 2013/09/12				
	ANGULAR ± ---°		MATERIAL NO. 688020024		DOCUMENT NO. SD-68802-024	SHEET NO. 1 OF 2				
DRAFT WHERE APPLICABLE MUST REMAIN WITHIN DIMENSIONS		THIS DRAWING CONTAINS INFORMATION THAT IS PROPRIETARY TO MOLEX INCORPORATED AND SHOULD NOT BE USED WITHOUT WRITTEN PERMISSION								

7

6

5

4

3

2

1

NOTE: 1. OVERMOLD SPECIFICATION:

1.1 DVI BOOT MOLDED SNOW WHITE PVC RESIN 887800076, UL94V-0.

1.2 VGA OVERMOLDED WITH PVC BLUE RESIN 887800145,UL94V-0.

VGA INNERMOLDED WITH PE RESIN 887800008.

2. THE CODE PLEASE BE PRINTED ON THE SPACE.

3. THIS PRODUCT MUST MEET MX RoHS COMPLIANCE.

SHIELD	SHIELD	SHIELD	GROUND
C 5	PIN R6,G7,B8	RED,GRN,BLU	ANLOG GROUND
C 4	PIN 13	WHITE	HORIZONTAL SYNC
C 3	PIN 3	BLUE	ANLOG
C 2	PIN 2	GREEN	ANLOG
C 1	PIN 1	RED	ANLOG
PIN 15	PIN 5,10	ORANGE	GROUND(+5V & HV SYNC)
PIN 14,16	PIN 9	YEL/BRN	POWER +5V/HOT PLUG DETECT
PIN 8	PIN 14	RED	VERTICAL SYNC
PIN 7	PIN 12	GREEN	DDC DATA
PIN 6	PIN 15	BLACK	DDC CLOCK
DVI_A	VGA	COLOR	CABLE FUNCTION

I	VGA METAL CAN 887809056		1
H	DVI-I INNER EMI CAN 743260012		2
G	COPPER FOIL 887801082		1
F	VGA D-SUB CONNECTOR 887899274		1
E	DVI THUMB SCREW 887806005		2
D	EVC CRIMP FERRULE 737720001		1
C	DVI-I OUTER EMI CAN 743260011		1
B	DVI_A G/F CONNECTOR 743230011		1
A	DVI ANALOG CABLE IVORY 887808278	225(Ref.)	1
ITEM	DESCRIPTION	L	QTY.

ENTER DESCRIPTION
 EC NO: CPG2014-0706
 DRW: XJGU001 2013/09/07
 CHKD: AHOU 2013/09/07
 APPR: XAWANG 2013/09/12

QUALITY SYMBOLS
 $\nabla = 0$
 $\nabla = 0$
 $\nabla = 0$

GENERAL TOLERANCES (UNLESS SPECIFIED)

	mm	INCH
4 PLACES	\pm ----	\pm ----
3 PLACES	\pm ----	\pm ----
2 PLACES	\pm ----	\pm ----
1 PLACE	\pm ----	\pm ----
0 PLACE	\pm ----	\pm ----

ANGULAR \pm ----°
 DRAFT WHERE APPLICABLE
 MUST REMAIN
 WITHIN DIMENSIONS

DIMENSION STYLE
 MM/IN

DRAWN BY XJGU001 DATE 2013/09/07
 CHECKED BY PDAI DATE 2013/09/07
 APPROVED BY XAWANG DATE 2013/09/12

MATERIAL NO. 688020024

SIZE $\Delta 4$

SCALE 1:1
 DESIGN UNITS METRIC
 THIRD ANGLE PROJECTION

TITLE
 DVI-A(M) TO VGA(F)
 CABLE ASS'Y 10IN

molex

DOCUMENT NO. SD-68802-024
 SHEET NO. 2 OF 2

THIS DRAWING CONTAINS INFORMATION THAT IS PROPRIETARY TO MOLEX INCORPORATED AND SHOULD NOT BE USED WITHOUT WRITTEN PERMISSION

6

5

4

3

2

1

7 6 5 4 3 2 1

E

NOTE: 1. OVERMOLD SPECIFICATION:

1.1 DVI BOOT MOLDED SNOW WHITE PVC RESIN 887800076, UL94V-0.

1.2 VGA OVERMOLDED WITH PVC BLUE RESIN 887800145,UL94V-0.

VGA INNERMOLDED WITH PE RESIN 887800008.

D

2. THE CODE PLEASE BE PRINTED ON THE SPACE.

3. THIS PRODUCT MUST MEET MX RoHS COMPLIANCE.

C

SHIELD	SHIELD	SHIELD	GROUND
C 5	PIN R6,G7,B8	RED,GRN,BLU	ANLOG GROUND
C 4	PIN 13	WHITE	HORIZONTAL SYNC
C 3	PIN 3	BLUE	ANLOG
C 2	PIN 2	GREEN	ANLOG
C 1	PIN 1	RED	ANLOG
PIN 15	PIN 5,10	ORANGE	GROUND(+5V & HV SYNC)
PIN 14,16	PIN 9	YEL/BRN	POWER +5V/HOT PLUG DETECT
PIN 8	PIN 14	RED	VERTICAL SYNC
PIN 7	PIN 12	GREEN	DDC DATA
PIN 6	PIN 15	BLACK	DDC CLOCK
DVI_A	VGA	COLOR	CABLE FUNCTION

B

I	VGA METAL CAN 887809056		1
H	DVI-I INNER EMI CAN 743260012		2
G	COPPER FOIL 887801082		1
F	VGA D-SUB CONNECTOR 887899274		1
E	DVI THUMB SCREW 887806005		2
D	EVC CRIMP FERRULE 737720001		1
C	DVI-I OUTER EMI CAN 743260011		1
B	DVI_A G/F CONNECTOR 743230011		1
A	DVI ANALOG CABLE IVORY 887808278	225(Ref.)	1
ITEM	DESCRIPTION	L	QTY.

A

EC NO: DG2006-0096 DRWN:PDAI CHKD: APPR:TKAN 2005/10/19 2005/10/19 2005/10/20 DESCRIPTION REV	QUALITY SYMBOLS	GENERAL TOLERANCES (UNLESS SPECIFIED)	DIMENSION STYLE	SCALE	DESIGN UNITS	THIRD ANGLE PROJECTION															
	=0 =0	<table border="1"> <thead> <tr> <th></th> <th>mm</th> <th>INCH</th> </tr> </thead> <tbody> <tr> <td>4 PLACES</td> <td>±---</td> <td>±---</td> </tr> <tr> <td>3 PLACES</td> <td>±---</td> <td>±---</td> </tr> <tr> <td>2 PLACES</td> <td>±---</td> <td>±---</td> </tr> <tr> <td>1 PLACE</td> <td>±---</td> <td>±---</td> </tr> </tbody> </table> ANGULAR ±---°		mm	INCH	4 PLACES	±---	±---	3 PLACES	±---	±---	2 PLACES	±---	±---	1 PLACE	±---	±---	MM/IN DRAWN BY: PDAI DATE: 2005/10/19 CHECKED BY: DATE: PDAI 2005/10/19 APPROVED BY: DATE: ZXDENG 2005/10/19	---	METRIC	
		mm	INCH																		
	4 PLACES	±---	±---																		
3 PLACES	±---	±---																			
2 PLACES	±---	±---																			
1 PLACE	±---	±---																			
DRAFT WHERE APPLICABLE MUST REMAIN WITHIN DIMENSIONS			TITLE: DVI-(A)M TO VGA(F) CABLE ASS'Y 10IN MATERIAL NO.: 68802-0024 DOCUMENT NO.: SD-68802-024 SHEET NO.: 2 OF 2																		
			MOLEX INCORPORATED THIS DRAWING CONTAINS INFORMATION THAT IS PROPRIETARY TO MOLEX INCORPORATED AND SHOULD NOT BE USED WITHOUT WRITTEN PERMISSION																		

tb_frame_A4_P_ME_T
Rev. D 2004/04/02

6

5

4

3

2

1

X-ON Electronics

Largest Supplier of Electrical and Electronic Components

Click to view similar products for [Audio Cables](#) / [Video Cables](#) / [RCA Cables](#) category:

Click to view products by [Molex](#) manufacturer:

Other Similar products are found below :

[59384500100E](#) [RCA10RCA](#) [DB25M05DB25MY](#) [DB25M10DB25MY](#) [DB25M10XLRMXLRFY](#) [1-3737-600-3216](#) [15AK25X](#) [CA19](#) [CA20](#)
[CAG34](#) [25FK25](#) [LF3BLX](#) [30-513](#) [28-511-0](#) [30-419](#) [30AR30](#) [30AK30](#) [30AN30](#) [RCA05RCA](#) [RCA05RCAB](#) [RCA05TS](#) [RCA10RCAB](#)
[420001400-3](#) [426058900-3](#) [427493000-3](#) [49152A-010-S2](#) [TT6RX](#) [TT7BKX](#) [TT93602](#) [32-3766](#) [32HR07284X](#) [CA25B](#) [CA39](#)
[DB25M02XLRMXLRFY](#) [LF1BKX](#) [LF3RX](#) [49442 010S2](#) [DVI-I-VGA/DVI-D-CBL-MATRIX](#) [VMP3YX](#) [VMP2YX](#) [TT746](#) [TT744](#) [CN13B](#)
[MDC4P13](#) [MDC8P53](#) [LF4GNX](#) [LF2GYX](#) [426494200-3](#) [49153A 010S2](#) [LF1RX](#)