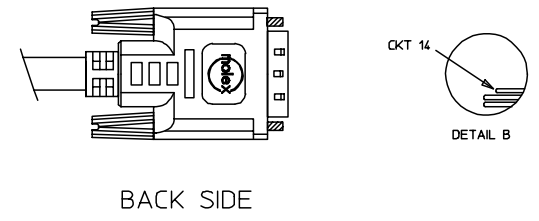
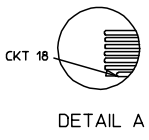
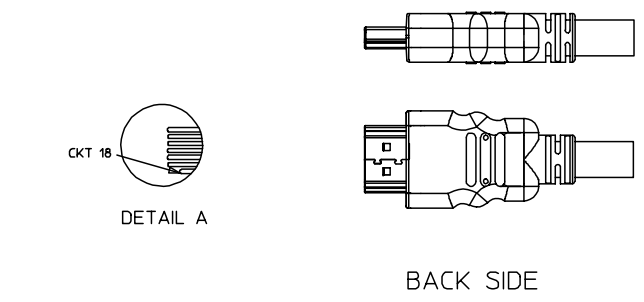
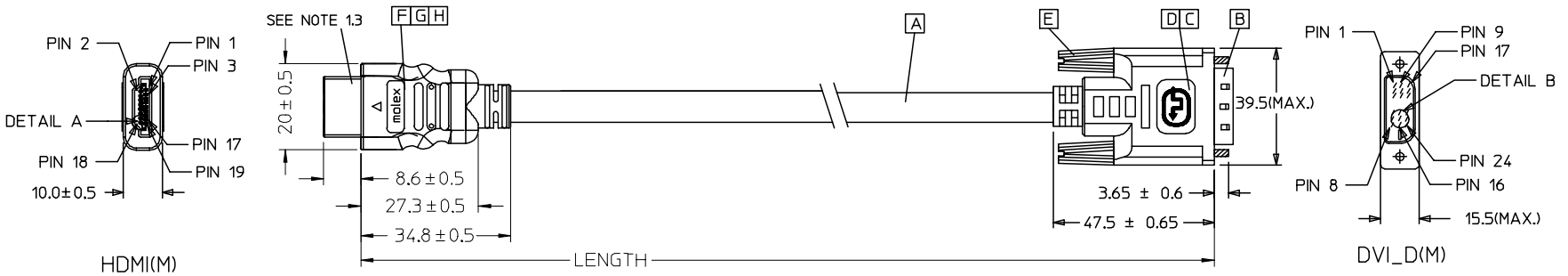


7 6 5 4 3 2 1



68803-0030	HDMI TO DVI-D(M) CABLE ASS'Y,16.4FT	4999 ± 100	BLACK	7.3MM(TMDS - AWG#28)	887808276
68803-0029	HDMI TO DVI-D(M) CABLE ASS'Y,10FT	3048 ± 80	BLACK	7.3MM(TMDS - AWG#28)	887808276
68803-0028	HDMI TO DVI-D(M) CABLE ASS'Y,6.6FT	2012 ± 60	BLACK	7.3MM(TMDS - AWG#28)	887808276
68803-0027	HDMI TO DVI-D(M) CABLE ASS'Y,3.3FT	1006 ± 30	BLACK	7.3MM(TMDS - AWG#28)	887808276
MX P/N	DESCRIPTION	LENGTH	CABLE COLOR	CABLE OD	CABLE P/N

ENTER DESCRIPTION EC NO: DG2006-0075 DRWN: JFZHENG CHKD: APPR: DQLUO	QUALITY SYMBOLS ▽=0 ◻=0	GENERAL TOLERANCES (UNLESS SPECIFIED)		DIMENSION STYLE		SCALE	DESIGN UNITS	THIRD ANGLE PROJECTION		
			mm	INCH	MM ONLY		---	METRIC		
		4 PLACES	±---	±---	DRAWN BY	DATE	TITLE			
		3 PLACES	±---	±---	JFZHENG	2005/10/12	HDMI(M) TO DVI(M) CABLE ASS'Y			
2 PLACES	±---	±---	CHECKED BY	DATE	MOLEX MOLEX INCORPORATED					
1 PLACE	±---	±---	JFZHENG	2005/10/12						
		ANGULAR ±---°	APPROVED BY	DATE	MATERIAL NO.	DOCUMENT NO.	SHEET NO.			
			DQLUO	2005/10/12	68803-0027/28/29/30	SD-68803-027	1 OF 2			
DRAFT WHERE APPLICABLE MUST REMAIN WITHIN DIMENSIONS		THIS DRAWING CONTAINS INFORMATION THAT IS PROPRIETARY TO MOLEX INCORPORATED AND SHOULD NOT BE USED WITHOUT WRITTEN PERMISSION								

6 5 4 3 2 1

NOTE:

1. OVERMOLD SPECIFICATION:

- 1.1 DVI BOOT MOLDED SNOW WHITE PVC RESIN 887800076E~UL94V-0.
- 1.2 HDMI INNER MOLDED WITH PVC RESIN 887800019.
HDMI OUTER MOLDED WITH PVC RESIN 887800150.
- 1.3 DUST COVER MOLDED WITH PE 887800008.

2. MECHANICAL SPECIFICATION:

- 2.1 CABLE SHOULD STAND THE PULL FORCE 89-111N FOR 30 SECONDS WITH NO VISIBLE TERMINATION DAMAGE.
- 2.2 CABLE SHOULD PASS THE FLEX TEST IN 100 CYCLES AT EACH OF PLANES, PER EIA 364-41, CONDITION 1.

3. DVI CONNECTOR SPECIFICATION.

- 3.1 REFER TO PRODUCT SPEC. PS74320-001.
- 3.2 CONTACT PLATIN: AU FLASH.

4. CABLE CONSTRUCTION:

- a.(AWG#28*1P+D)*4 + AWG#28*1P + AWG#28*3C, 7.3MMOD
- "MOLEX" MUST BE IN CABLE MARKING

5. MATERIAL MUST MEET MX TS-0002.

SHIELD	SHIELD	OVERALL SHIELD	GROUND
PIN 19	PIN 16	WHITE	HOT PLUG DETECT
PIN 18	PIN 14	YELLOW	POWER +5V
PIN 17	PIN 15	ORANGE	GROUND(+5V&DDC)
PIN 16	PIN 7	RED	DDC DATA(SDA)
PIN 15	PIN 6	VIOLET	DDC CLOCK(SCL)
PIN 12	PIN 24	WHITE	TMDS CLOCK-
PIN 11	PIN 22	BRAID	TMDS CLOCK SHIELD
PIN 10	PIN 23	BROWN	TMDS CLOCK+
PIN 9	PIN 17	WHITE	TMDS DATA 0-
PIN 8	PIN 19	BRAID	TMDS DATA 0 SHIELD
PIN 7	PIN 18	BLUE	TMDS DATA 0+
PIN 6	PIN 9	WHITE	TMDS DATA 1-
PIN 5	PIN 11	BRAID	TMDS DATA 1 SHIELD
PIN 4	PIN 10	GREEN	TMDS DATA 1+
PIN 3	PIN 1	WHITE	TMDS DATA 2-
PIN 2	PIN 3	BRAID	TMDS DATA 2 SHIELD
PIN 1	PIN 2	RED	TMDS DATA 2+
HDMI	DVI-D	COLOR	CABLE FUNCTION

ITEM	DESCRIPTION	QTY.
H	HDMI SMALL METAL PLATE 47152-6009	1
G	HDMI METAL CAN GOLD PLATED 47152-4002	1
F	HDMI HOUSING ASSY' BLACK 47152-1000	1
E	DVI THUMB SCREW GOLD PLATED. 172000522	2
D	PCB 887899569/887899570	1
C	ONE BODY CAN 887899392	1
B	DVI_D SINGLE CHANNEL G/F CONNECTOR 172000443	1
A	DVI SINGLE LINK CABLE 8878008276	1

ENTER DESCRIPTION EC NO: DG2006-0075 DRWN: JFZHENG CHKD: APPR: DQLUO	2005/10/17 2005/10/19 2005/10/20	QUALITY SYMBOLS 	GENERAL TOLERANCES (UNLESS SPECIFIED)		DIMENSION STYLE MM ONLY		SCALE ---	DESIGN UNITS METRIC	THIRD ANGLE PROJECTION		
			4 PLACES	±---	±---	DRAWN BY	DATE	TITLE			
			3 PLACES	±---	±---	JFZHENG	2005/10/12	HDMI(M) TO DVI(M) CABLE ASS'Y			
2 PLACES	±---	±---	CHECKED BY	DATE							
1 PLACE	±---	±---	JFZHENG	2005/10/12							
ANGULAR ±---°			APPROVED BY	DATE	MOLEX MOLEX INCORPORATED						
			DQLUO	2005/10/12							
DRAFT WHERE APPLICABLE MUST REMAIN WITHIN DIMENSIONS			MATERIAL NO.	DOCUMENT NO.	SHEET NO.						
			68803-0027/28/29/30	SD-68803-027	2 OF 2						
			SIZE	THIS DRAWING CONTAINS INFORMATION THAT IS PROPRIETARY TO MOLEX INCORPORATED AND SHOULD NOT BE USED WITHOUT WRITTEN PERMISSION							
			A/4								

X-ON Electronics

Largest Supplier of Electrical and Electronic Components

Click to view similar products for [HDMI Cables](#) category:

Click to view products by [Molex](#) manufacturer:

Other Similar products are found below :

[426301400-3](#) [68767-0003](#) [CA-MINIDP-HDMIF-10FT](#) [HP-19AFMM-SL7A01](#) [HP-19AFMM-SL7A05](#) [S-HDI-DVI-2](#) [S-HDI-DVI-5](#) [10HM-15128-01](#) [HD0003](#) [31888](#) [31889](#) [31893](#) [31897](#) [31908](#) [31911](#) [31913](#) [31914](#) [31915](#) [31919](#) [31920](#) [31921](#) [31923](#) [31925](#) [31926](#) [31929](#) [31930](#) [31932](#) [31935](#) [31936](#) [31937](#) [31938](#) [CV0036B](#) [CV0038](#) [CV0057B](#) [CV0058](#) [CV0058B](#) [CV0059B](#) [50580](#) [50581](#) [50582](#) [50989](#) [51579](#) [51586](#) [51724](#) [51957](#) [52859](#) [31890](#) [31891](#) [31892](#) [31894](#)