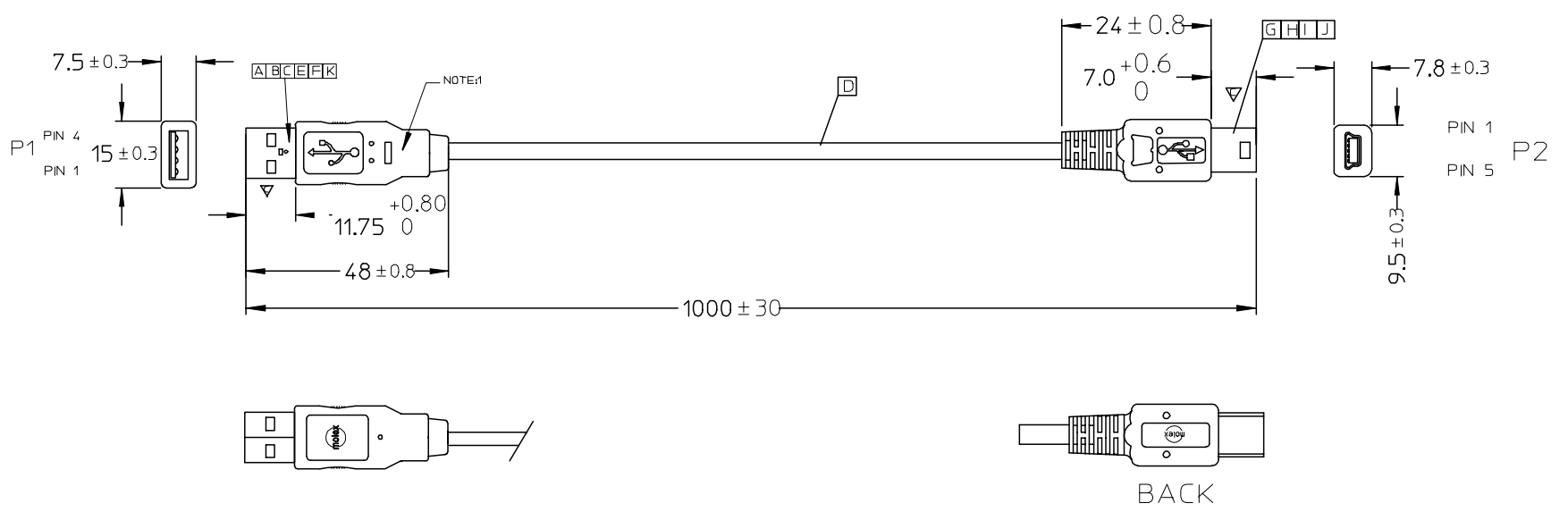


7 6 5 4 3 2 1



NOTE:

1. OUTER MOLDED WITH BLK PVC RESIN 887800019
2. ALL COMPONENT MUST MEET RoHS REQUIREMENT.

K	COPPER FOIL 887801083		1
J	COPPER FOIL 887801114		1
I	USB SERIES MINI-B PLUG COVER SHIELD 675460000		1
H	USB SERIES MINI-B PLUG SHIELD CASE 675450000		1
G	MINI-B PLUG 675420008		1
F	TERMINAL 887809090 (AWG24)		2
E	TERMINAL 887809091 (AWG28)		2
D	USB #28/#24 BLK CABLE, 172000467	1000	1
C	REAR SHELL 887809084		1
B	FRONT SHELL 887809083		1
A	CRIMP HOUSING 887809086		1
ITEM	DESCRIPTION	L	QTY.

SHELL	SHELL	SHIELDING	BRAID WIRE
4	5	GROUND	BLACK
3	3	+DATA	GREEN
2	2	-DATA	WHITE
1	1	VCC	RED
P 1	P 2	SIGNAL NAME	WIRE COLOR

CONNECTION DIAGRAM

ENTER DESCRIPTION EC NO: DG2006-0078 DRWN: PHZHU CHKD: APPR: DOLUO	QUALITY SYMBOLS ▽=0 ◻=0	GENERAL TOLERANCES (UNLESS SPECIFIED)		DIMENSION STYLE MM ONLY		SCALE ---	DESIGN UNITS METRIC	THIRD ANGLE PROJECTION	
			mm	INCH	DRAWN BY PHZHU	DATE 2005/10/07	TITLE USB 2.0 TYPE A TO MINI-B BLACK 3.3' CABLE ASS'Y		
		4 PLACES	± ---	± ---	CHECKED BY PHZHU	DATE 2005/10/07	MATERIAL NO. 68806-0019		
		3 PLACES	± ---	± ---	APPROVED BY ZXDENG	DATE 2005/10/07	DOCUMENT NO. SD-68806-019	SHEET NO. 1 OF 1	
2 PLACES	± ---	± ---	ANGULAR ±1/2°			MATERIAL NO. 68806-0019			
1 PLACE	± ---	± ---	DRAFT WHERE APPLICABLE MUST REMAIN WITHIN DIMENSIONS			MATERIAL NO. 68806-0019			
A	REV				THIS DRAWING CONTAINS INFORMATION THAT IS PROPRIETARY TO MOLEX INCORPORATED AND SHOULD NOT BE USED WITHOUT WRITTEN PERMISSION				

X-ON Electronics

Largest Supplier of Electrical and Electronic Components

Click to view similar products for [USB Cables / IEEE 1394 Cables](#) category:

Click to view products by [Molex](#) manufacturer:

Other Similar products are found below :

[68768-0173](#) [FNY-W6003-01](#) [88764-0800](#) [148700-1](#) [17-200621](#) [17-250051P](#) [954](#) [17-200261](#) [AC102012-1](#) [AC102012-2](#) [FTP-629Y601](#) [45-1345-15](#) [45-1358-15](#) [45-1363-15](#) [IP-USB1\(C10\)S-RW](#) [CABLE/RTP/USB/DT](#) [45-1351-15](#) [45-1357-15](#) [45-1433-1](#) [687680278](#)
[USBFTVX2SA2N03A](#) [USBFTV2SA2N03A](#) [USBFTV2SA2N05A](#) [MDM9PH004B](#) [FTP-629Y401](#) [FTP-628Y302](#) [FTP-628Y402](#)
[CSMNB9MF-5](#) [FNY-W6022](#) [UA-30AMF-SD7B03](#) [UA-30AMFM-SL7B03](#) [USBAPSCC7202A](#) [17-200641](#) [UES-1001A160](#) [UES-1003A160](#)
[USBFTVX7SA2N20A](#) [USBFTV2PEMSA2N10A](#) [FTP-629Y602](#) [USBCAMCM100](#) [USB A/F*2 to 2.54 2*5P-SH L=400mm](#) [68784-0075](#)
[MINI-SCREW-USB-DATACABLE](#) [USB-29](#) [19800-010500-200-RS](#) [103-1092-BL-F0050](#) [103-1020-BL-00100](#) [103-1092-BL-F0200](#) [103-1092-BL-F0100](#) [105-1092-BL-00300](#) [105-1092-BL-00200](#)