

PLEASE CHECK WWW.MOLEX.COM FOR LATEST PART INFORMATION

Part Number: [0701070071](#)
Status: **Active**
Overview: SL Modular Connectors
Description: SL Wire-to-Wire Crimp Housing, Single Row, Version C, without Mounting Ears, with Skirt, 2 Circuits, Black
Replacement Part Number: [http://www.molex.com/molex/products/listview.jsp?channel=Products&sType=p&query=0701070036701070036 w/differences](http://www.molex.com/molex/products/listview.jsp?channel=Products&sType=p&query=0701070036701070036%20w/differences)

Documents:

Drawing (PDF)	Product Specification TS-70541-001-001 (PDF)
3D Model	Packaging Specification PK-70107-100 (PDF)
Product Specification PS-70400-001 (PDF)	RoHS Certificate of Compliance (PDF)

Agency Certification

CSA	LR19980
UL	E29179

General

Product Family	Crimp Housings
Series	70107
Application	Signal, Wire-to-Wire
Comments	Original Part has no mounting ears, replacement has mounting ears, Original Part has no mounting ears, replacement has mounting ears
Overview	SL Modular Connectors
Product Name	SL
Replacement Part Number	701070036 w/differences
UPC	800754347471

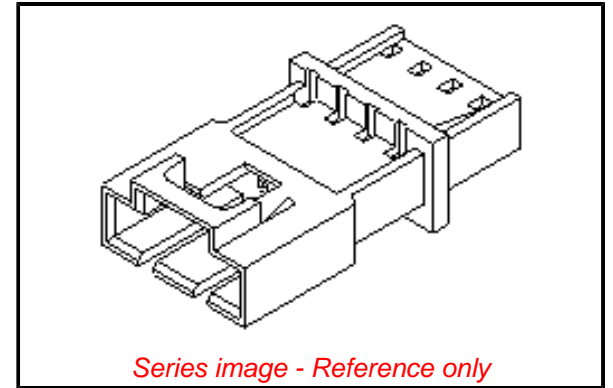
Physical

Circuits (maximum)	2
Color - Resin	Black
Flammability	94V-0
Gender	Plug
Glow-Wire Capable	No
Lock to Mating Part	Yes
Material - Resin	Polyester
Net Weight	0.511/g
Number of Rows	1
Packaging Type	Bag
Panel Mount	No
Pitch - Mating Interface	2.54mm
Polarized to Mating Part	Yes
Stackable	No
Temperature Range - Operating	-40° to +105°C

Material Info

Reference - Drawing Numbers

Packaging Specification	PK-70107-100
Product Specification	PS-70400-001, TS-70541-001-001
Sales Drawing	SD-70107-0071-0094



EU ELV

Not Relevant

EU RoHS

Compliant

REACH SVHC

Not Contained Per - ED/61/2018 (27 June 2018)

Halogen-Free

Status

Not Low-Halogen

For more information, please visit [Contact US](#)

China ROHS

ELV

RoHS Phthalates

China RoHS

Green Image

Not Relevant

Not Contained

Search Parts in this Series

[70107 Series](#)

Mates With

[70066](#) SL Crimp Housing A, G and D (Notes: Version C and H will not mate to the 70107 housing series), [70400](#) SL Insulation Displacement Connector Assembly, Version G Housing, [70430](#) SL Single Row Receptacle, Version G

Use With

[70021](#) SL Crimp Terminal

X-ON Electronics

Largest Supplier of Electrical and Electronic Components

Click to view similar products for [Headers & Wire Housings](#) category:

Click to view products by [Molex](#) manufacturer:

Other Similar products are found below :

[892-18-020-10-001101](#) [58102-G61-06LF](#) [582553-1](#) [0009485154](#) [009176003701906](#) [0050291907](#) [LY20-4P-DT1-P1E-BR](#) [02.125.8002.8](#)
[609-3404](#) [61062-3](#) [622-0430](#) [622-3653LF](#) [63453-116](#) [636-1030](#) [636-1427](#) [636-3427](#) [636-4007](#) [641938-9](#) [641991-4](#) [644827-2](#) [65817-010LF](#)
[65817-015LF](#) [65863-015LF](#) [66207-023LF](#) [67095-007LF](#) [67601157](#) [68648-049](#) [70.362.1628.0](#) [70-4210](#) [70-4226B](#) [70-4853B](#) [707-5020](#) [707-5028](#) [71.350.2428.0](#) [71918-208LF](#) [71961-016LF](#) [733-134](#) [733-162](#) [754199-000](#) [760-3052](#) [787-8014-00](#) [79531-3000](#) [FCN-360C032-B](#) [FCN-367T-T012/H](#) [FCN-723D010/2](#) [80.063.4001.1](#) [800-90-001-10-001000](#) [800-90-010-10-002000](#) [801-43-002-10-013000](#) [801-43-006-10-002000](#)