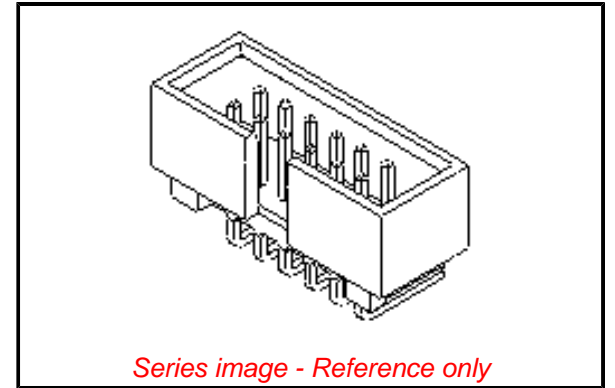


PLEASE CHECK WWW.MOLEX.COM FOR LATEST PART INFORMATION

Part Number: [0702470852](#)
Status: **Active**
Overview: [C-Grid Connector Products](#)
Description: 2.54mm Pitch C-Grid Header, Dual Row, Low Profile, Right Angle, Shrouded, 8 Circuits, 0.76µm Gold (Au) Selective Plating, Tin (Sn) PC Tail Plating

Documents:

| | |
|--|--|
| 3D Model | Application Specification 713080001-AS-000 (PDF) |
| Drawing (PDF) | Packaging Specification PK-87835-001-001 (PDF) |
| 3D Model (PDF) | RoHS Certificate of Compliance (PDF) |
| Product Specification PS-70246-100-001 (PDF) | |



Agency Certification

| | |
|-----|---------|
| CSA | LR19980 |
| UL | E29179 |

General

| | |
|----------------|---|
| Product Family | PCB Headers |
| Series | 70247 |
| Application | Signal, Wire-to-Board |
| Overview | C-Grid Connector Products |
| Product Name | C-Grid |
| UPC | 822348487950 |

Physical

| | |
|--------------------------------|----------------|
| Breakaway | No |
| Circuits (Loaded) | 8 |
| Circuits (maximum) | 8 |
| Color - Resin | Black |
| Durability (mating cycles max) | 50 |
| First Mate / Last Break | No |
| Flammability | 94V-0 |
| Glow-Wire Capable | No |
| Guide to Mating Part | No |
| Keying to Mating Part | None |
| Lock to Mating Part | None |
| Material - Plating Mating | Gold |
| Material - Plating Termination | Tin |
| Material - Resin | Polyester |
| Net Weight | 1.387/g |
| Number of Rows | 2 |
| Orientation | Right Angle |
| PC Tail Length | 3.05mm |
| PCB Locator | No |
| PCB Retention | None |
| PCB Thickness - Recommended | 1.60mm |
| Packaging Type | Tray |
| Pitch - Mating Interface | 2.54mm |
| Pitch - Termination Interface | 2.54mm |
| Plating min - Mating | 0.762µm |
| Plating min - Termination | 1.905µm |
| Polarized to Mating Part | Center Slot |
| Shrouded | Fully |
| Stackable | No |
| Temperature Range - Operating | -55° to +120°C |
| Termination Interface: Style | Through Hole |

EU ELV

Not Relevant

EU RoHS

Compliant

REACH SVHC

Not Contained Per -
D(2021)4569-DC (8
July 2021)

Halogen-Free

Status

Not Low-Halogen

For more information, please visit [Contact US](#)

China ROHS

ELV

RoHS Phthalates

China RoHS

Green Image

Not Relevant

Not Contained

Search Parts in this Series

[70247](#) Series

Mates With

[70450](#) SL Crimp Housing, [70058](#) SL Crimp Terminal

Electrical

| | |
|-------------------------------|---------|
| Current - Maximum per Contact | 2.5A |
| Voltage - Maximum | 250V DC |

Solder Process Data

| | |
|--|------|
| Duration at Max. Process Temperature (seconds) | 010 |
| Lead-free Process Capability | WAVE |
| Max. Cycles at Max. Process Temperature | 001 |
| Process Temperature max. C | 235 |

Material Info**Reference - Drawing Numbers**

| | |
|---------------------------|-----------------------|
| Application Specification | 713080001-AS-000 |
| Packaging Specification | PK-87835-001-001 |
| Product Specification | PS-70246-100-001 |
| Sales Drawing | SDA-70247-XX00-04-001 |

This document was generated on 09/14/2021

PLEASE CHECK WWW.MOLEX.COM FOR LATEST PART INFORMATION

X-ON Electronics

Largest Supplier of Electrical and Electronic Components

Click to view similar products for [Headers & Wire Housings](#) category:

Click to view products by [Molex](#) manufacturer:

Other Similar products are found below :

[892-18-020-10-001101](#) [58102-G61-06LF](#) [582553-1](#) [0009485154](#) [009176003701906](#) [0050291907](#) [LY20-4P-DT1-P1E-BR](#) [02.125.8002.8](#)
[609-3404](#) [61062-3](#) [61082-181009](#) [622-3653LF](#) [63453-116](#) [636-1030](#) [636-1427](#) [636-3427](#) [636-4007](#) [641938-9](#) [641991-4](#) [644827-2](#) [65817-](#)
[010LF](#) [65817-015LF](#) [65863-015LF](#) [66207-023LF](#) [67095-007LF](#) [67601157](#) [68648-049](#) [70.362.1628.0](#) [70-4210](#) [70-4226B](#) [70-4853B](#) [707-](#)
[5020](#) [707-5028](#) [71.350.2428.0](#) [71918-208LF](#) [71961-016LF](#) [733-134](#) [733-162](#) [754199-000](#) [760-3052](#) [787-8014-00](#) [79531-3000](#) [FCN-](#)
[360C032-B](#) [FCN-367T-T012/H](#) [FCN-723D010/2](#) [80.063.4001.1](#) [800-90-001-10-001000](#) [800-90-010-10-002000](#) [801-43-002-10-013000](#)
[801-43-006-10-002000](#)