

PLEASE CHECK WWW.MOLEX.COM FOR LATEST PART INFORMATION

Part Number: [0709821003](#)
Status: **Active**
Overview: TDP® Triad® Differential Pair
Description: LFH™ and TDP® Panel Mount Hex Screw Kit

Documents:

[Drawing \(PDF\)](#) [RoHS Certificate of Compliance \(PDF\)](#)
[Application Specification AS-70929-001 \(PDF\)](#)

General

| | |
|------------------|----------------------------------|
| Product Family | I/O Connectors |
| Series | 70982 |
| Application | Wire-to-Board |
| Comments | Includes (1) Hex Lock Screw Only |
| Component Type | Hex Screw |
| Material - Screw | Steel |
| MolexKits | Yes |
| Overview | TDP® Triad® Differential Pair |
| Product Name | LFH™, TDP® |
| Type | N/A |
| UPC | 800754354967 |

Physical

| | |
|--------------------------------|---------|
| Boot Color | N/A |
| Circuits (Loaded) | N/A |
| Gender | N/A |
| Keying to Mating Part | N/A |
| Lock to Mating Part | Yes |
| Material - Plating Mating | N/A |
| Net Weight | 0.750/g |
| Orientation | N/A |
| PCB Retention | N/A |
| Packaging Type | Bag |
| Panel Mount | Yes |
| Pitch - Mating Interface | N/A |
| Polarized to Mating Part | N/A |
| Polarized to PCB | N/A |
| Surface Mount Compatible (SMC) | No |
| Termination Interface: Style | N/A |
| Waterproof / Dustproof | No |
| Wire Size AWG | N/A |

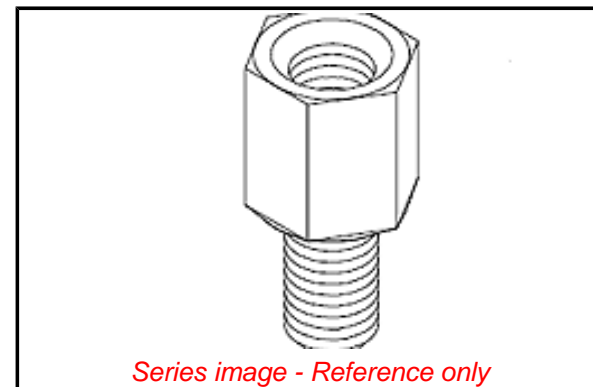
Electrical

| | |
|-------------------------------|-----|
| Current - Maximum per Contact | N/A |
| Grounding to Panel | N/A |
| Voltage - Maximum | N/A |

Material Info

Reference - Drawing Numbers

| | |
|---------------------------|---------------|
| Application Specification | AS-70929-001 |
| Sales Drawing | SD-70982-**** |



EU ELV

Not Relevant

EU RoHS

Compliant

REACH SVHC

Not Contained Per -
ED/108/2014 (17 Dec
2014)

Halogen-Free

Status

Low-Halogen

**Need more information on product
environmental compliance?**

Email productcompliance@molex.com
Please visit the [Contact Us](#) section for any
non-product compliance questions.

China ROHS

ELV

Green Image

Not Relevant

Search Parts in this Series

[70982](#) Series

Use With

[70660](#), [70665](#), [70928](#), [70929](#), [71624](#), [71626](#),
[71475](#), [71478](#), [71718](#), [74960](#)

X-ON Electronics

Largest Supplier of Electrical and Electronic Components

Click to view similar products for [I/O Connectors](#) category:

Click to view products by [Molex](#) manufacturer:

Other Similar products are found below :

[571763P](#) [58098-0628](#) [72.250.1628.2](#) [72.250.2428.2](#) [74720-0505](#) [76.350.0729.0](#) [76871-1403](#) [FCN-244F080-G/1](#) [FCN-260A9920](#) [PCR-E36PM](#) [PCS-XE26MA+](#) [G38A71314B](#) [1571250010](#) [157-22500-3](#) [MS3471L14-19P L/C](#) [192991-0703](#) [172501-4002](#) [172501-6002](#) [FCN-260C008-A/L0](#) [FCN-260C024-AL0](#) [FCN-261Z008](#) [2000314-1](#) [200331-1](#) [PCR-E36FC+](#) [PCS-E28FS+](#) [PCS-XE26SLFD+](#) [PCS-XE26SLFDT+](#) [G730VID08BDC24](#) [U90B2054081210](#) [UE86K842720321](#) [38113800006](#) [DP3AR020WQ1R200](#) [Z4.102.0680.0](#) [500-1040](#) [500-1052](#) [500-1054](#) [ZP-4008-66L](#) [0709821002](#) [DX40-20P\(55\)](#) [5554841-1](#) [MS3474W18-8P-LC*](#) [U90B3054061110](#) [U65-E04-4020](#) [ZPF00000000097891](#) [747360449](#) [10099439-003C-TRLF](#) [10137239-0021LF](#) [E9320-001-01](#) [10137239-0011LF](#) [70289-001LF](#)